

PARTS LIST

Engine Model : 1KS

**1KS Type Gas Engine
POLAR POWER**

GENERATOR & CHP(For DISTRIBUTOR)



TOYOTA INDUSTRIES CORPORATION

FIG No. INDEX

Fig No.	Figure Title	Page
1101	ENGINE ASSY	1
1102	CYLINDER HEAD	2
1103	CYLINDER BLOCK	3
1104	TIMING GEAR COVER	4
1105	RETAINER, OIL SEAL	5
1106	ENGINE HANGER	6
1201	OIL PAN	7
1301	CONROD & PISTON	9
1302	CRANKSHAFT	10
1303	VALVE & ROCKER ARM	11
1304	CAMSHAFT	12
1501	OIL FILTER	13
1502	OIL PUMP	14
1601	WATER INLET & OUTLET	15
1602	FAN	17
1701	INTAKE MANIFOLD	18
1702	EXHAUST MANIFOLD	19
1901	IGNITION SYSTEM	21
2101	FUEL SYSTEM	22
2701	ALTERNATOR	23
2801	STARTER	24
9001	LOOSE PARTS	25

① PRODUCTION DATE

【 Example 】

Engines produced between Sept 2007 and April 2009 → < 0709-0904

Engines produced in or after April 2009 → < 0904-

[1701-KX] ハイフ サブ アッセンブリ
87618-78153-71 1
87618-78154-71 1

② DESCRIPTION

Explanation on special parts

Only A spec parts → 301- (A SPEC) 28100-20553-71 1

Only B spec parts → (B SPEC) # (28100-UB010) 1

(28100-UB020) 1

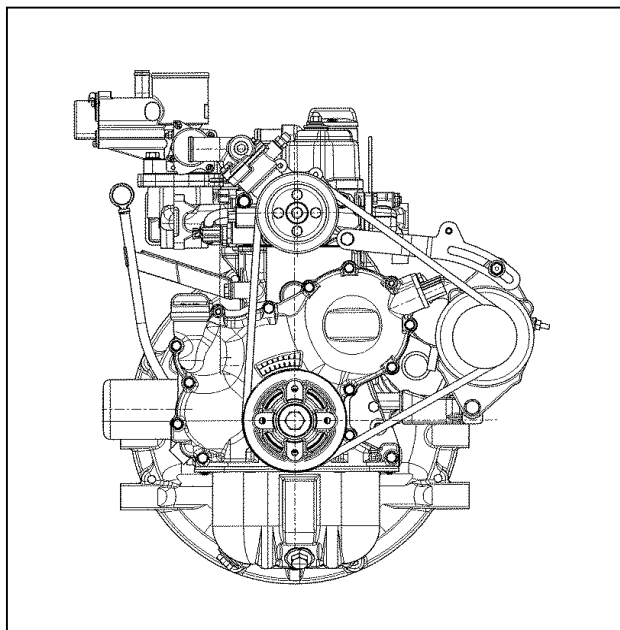
(28100-78157-71)

③ R/P (REPLACEMENT PARTS)

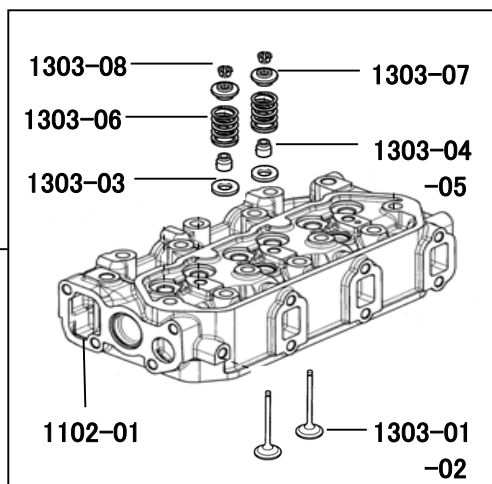
A Design Change may preserve or destroy parts interchangeability. When a new part is still application to older engines, it is referred to as a replacement part. The part number at the top is the one for the replacement.

1101

ENGINE ASSY



01



02

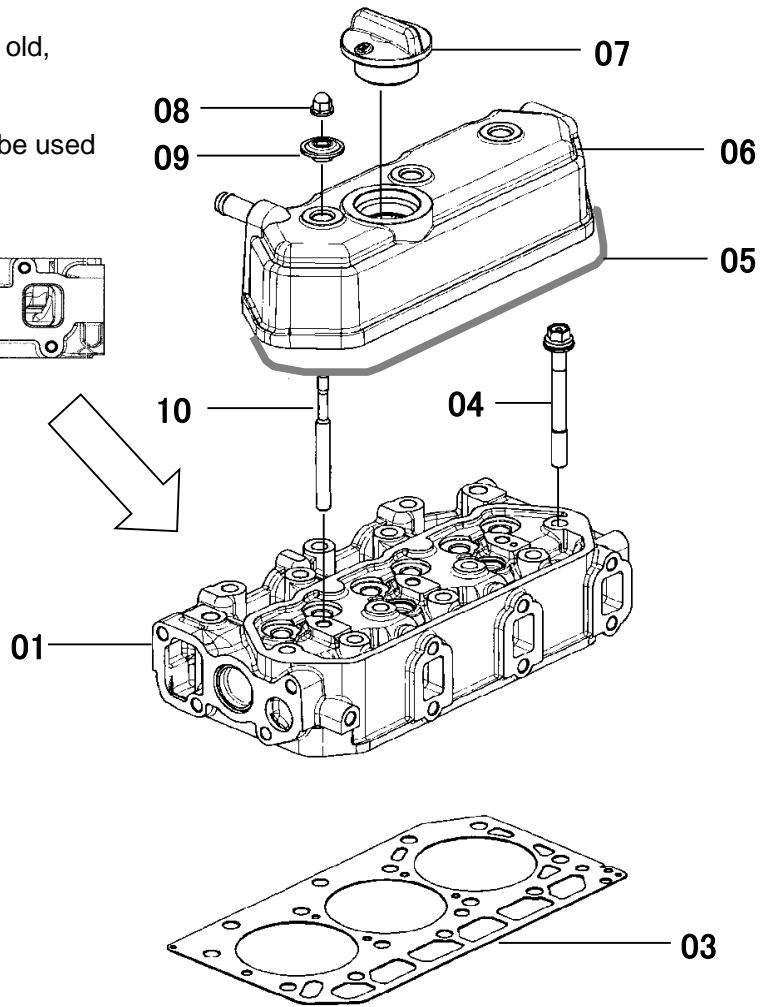
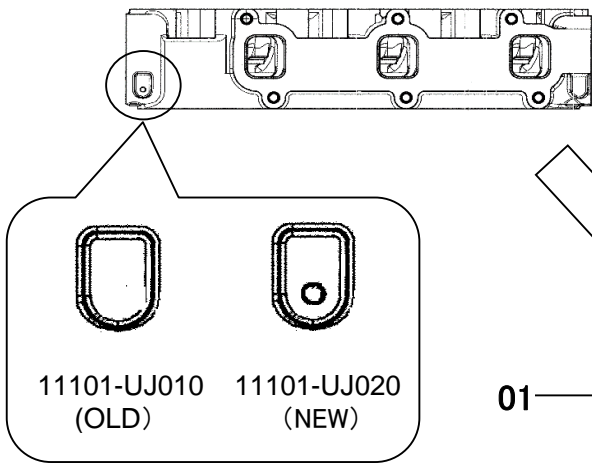
PROD. DATE	P/N CORD & PART NAME MODELS(DESCRIPTION)	PART NUMBER	QTY	REV. CORD	PROD. DATE	P/N CORD & PART NAME MODELS(DESCRIPTION)	PART NUMBER	QTY	REV. CORD
	[1101-01] ENGINE ASSY								
	1301- [GENERATOR]	16000-UJ030	1						
	1301- [CHP]	16000-UJ090	1						
	[1101-02] HEAD ASSY, SHORT								
	1301-	11100-UJ040	1						

1102

CYLINDER HEAD

★ If the head[1102-01] is old,
the valve[1303-01][1303-02] is old,

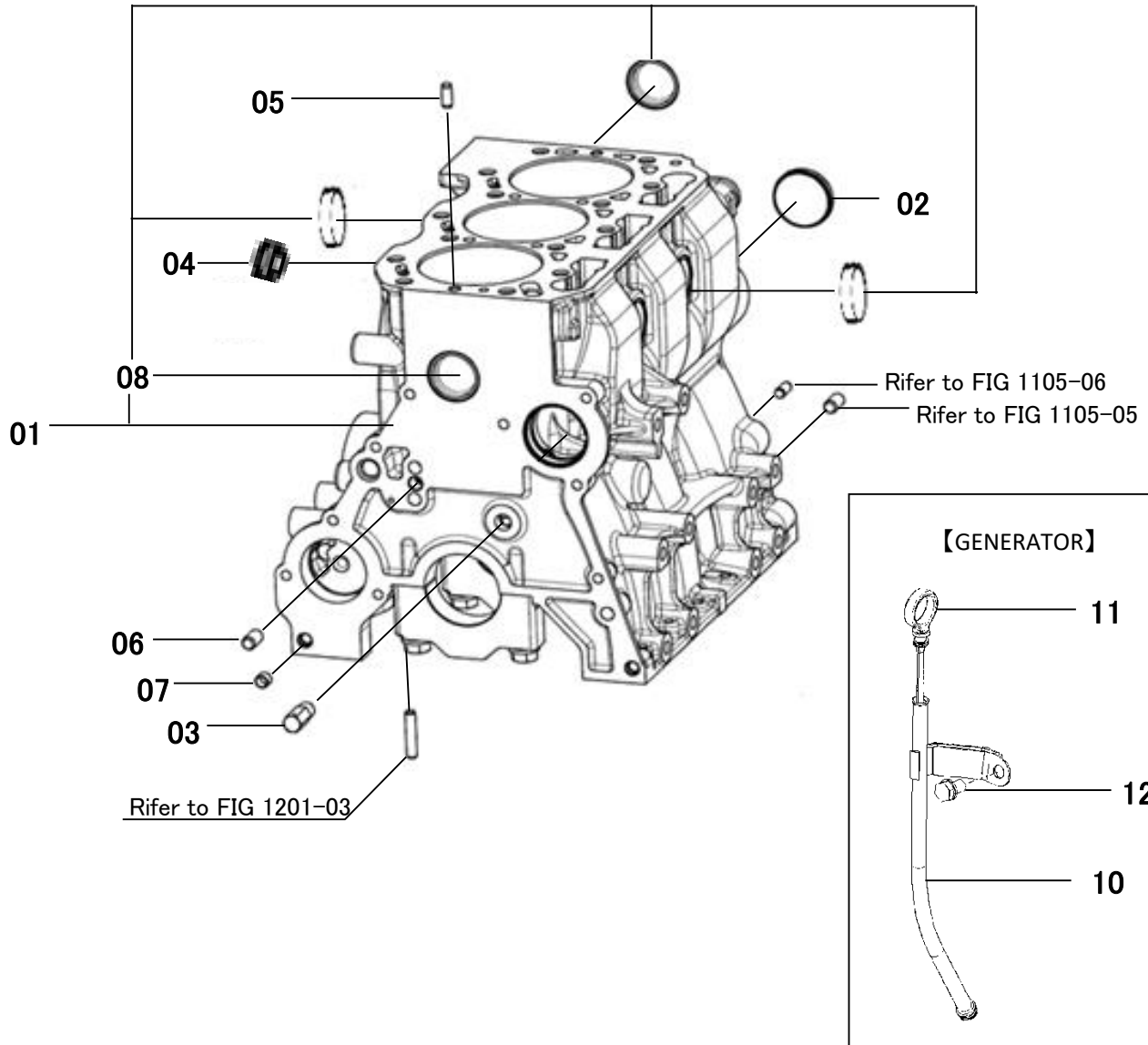
If the head[1102-01] is new,
Valve [1303-01] [1303-02] can be used
either new or old.



PROD. DATE	P/N MODELS(DESCRIPTION)	CORD	PART NUMBER	QTY	REV. CORD	PROD. DATE	P/N MODELS(DESCRIPTION)	CORD	PART NUMBER	QTY	REV. CORD
	[1102-01] HEAD SUB-ASSY, CYLINDER						[1102-06] COVER SUB-ASSY, CYLINDER HEAD				
1301-	★ 11101-UJ020			1		1301-	11201-UJ010			1	
1810-	# (11101-UJ010) ~1KS0034615					1301-	[1102-07] CAP ASSY, OIL FILLER			1	
	[1102-03] GASKET, CYLINDER HEAD					1301-	12180-UJ010			1	
1301-	11115-UJ010			1			[1102-08] NUT, CAP				
	[1102-04] BOLT, WASHER BASED HEAD HEXAGON					1301-	9001A-1B001			3	
1301-	9001A-10002			14			[1102-09] WASHER, SEAL				
	[1102-05] GASKET, CYLINDER HEAD COVER					1301-	9001A-21001			3	
1301-	11213-UJ010			1			[1102-10] BOLT, STUD				
						1301-	9001A-15003			3	

1103

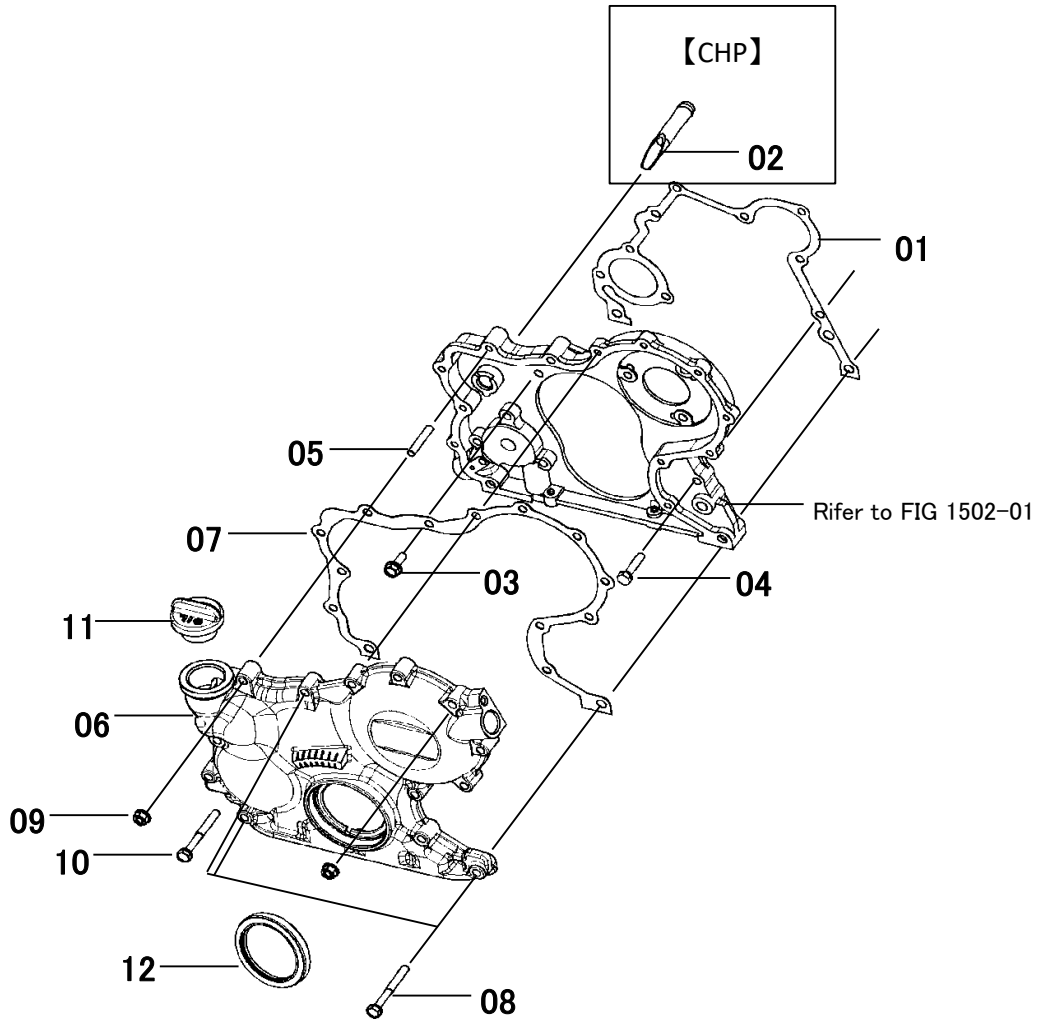
CYLINDER BLOCK



PROD. DATE	P/N MODELS	CORD & PART NAME (DESCRIPTION)	PART NUMBER	QTY	REV. CORD	PROD. DATE	P/N MODELS	CORD & PART NAME (DESCRIPTION)	PART NUMBER	QTY	REV. CORD
		[1103-01] BLOCK SUB-ASSY, CYLINDER						[1103-10] GUIDE SUB-ASSY, OIL LEVEL GAGE			
1301-	[GENERATOR]		11401-UJ020	1		1301-	[GENERATOR]		11409-UJ010	1	
1301-	[CHP]		11401-UJ010	1				[1103-11] GAGE SUB-ASSY, OIL LEVEL			
		[1103-02] PLUG, CAMSHAFT HOUSING				1301-	[GENERATOR]		15301-UJ010	1	
1301-			11188-UJ010	1				[1103-12] BOLT, W/WASHER			
		[1103-03] NOZZLE, OIL, NO.1				1301-	[GENERATOR]		91611-60814	1	
1301-			15795-UJ010	1							
		[1103-04] PLUG, W/HEAD TAPER SCREW									
1301-			90345-52001	1							
		[1103-05] PIN, STRAIGHT									
1301-			90250-06003	2							
		[1103-06] PIN, STRAIGHT									
1301-			9001A-23002	1							
		[1103-07] PIN, RING									
1301-			9001A-24001	2							
		[1103-08] PLUG, TIGHT									
1301-			96411-43000	7							

1104

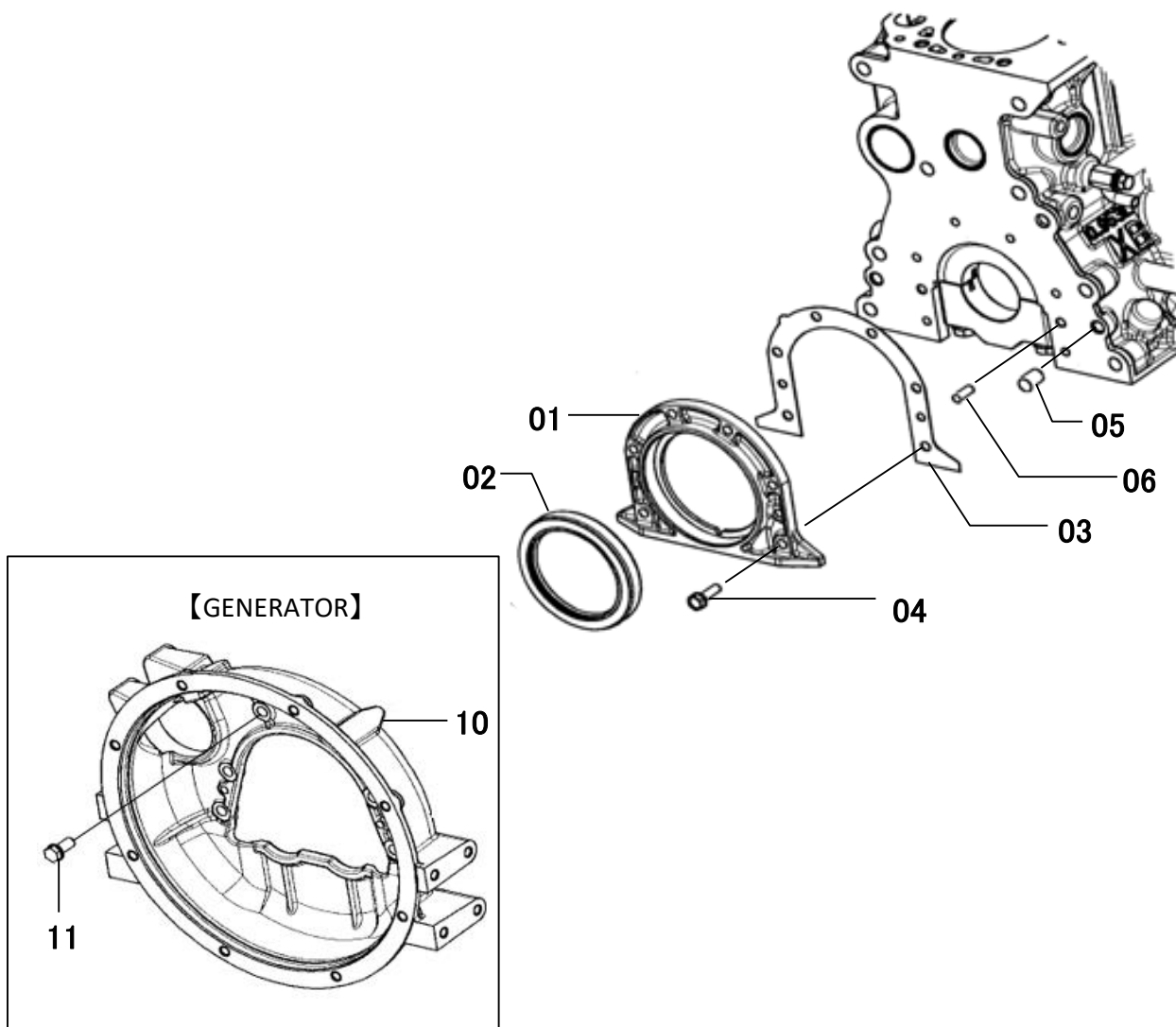
TIMING GEAR COVER



PROD. DATE	P/N MODELS(DESCRIPTION)	CORD	PART NUMBER	QTY	REV. CORD	PROD. DATE	P/N MODELS(DESCRIPTION)	CORD	PART NUMBER	QTY	REV. CORD
	[1104-01] GASKET, TIMING GEAR CASE		11312-UJ010	1			[1104-09] NUT		90179-06158	2	
	[1104-02] TUBE		9001A-46001	1			[1104-10] BOLT, W/WASHER		91611-60630	9	
	[1104-03] BOLT, FLANGE		91551-80616	1			[1104-11] CAP, OIL FILLER		12181-UJ020	1	
	[1104-04] BOLT, W/WASHER		91611-60628	4			[1104-12] SEAL, TYPE T OIL		9001A-31001	1	
	[1104-05] BOLT, STUD		92122-60625	2							
	[1104-06] COVER, TIMING GEAR		11321-UJ010	1							
	[1104-07] GASKET, TIMING GEAR COVER		11328-UJ010	1							
	[1104-08] BOLT, W/WASHER		9001A-16020	3							

1105

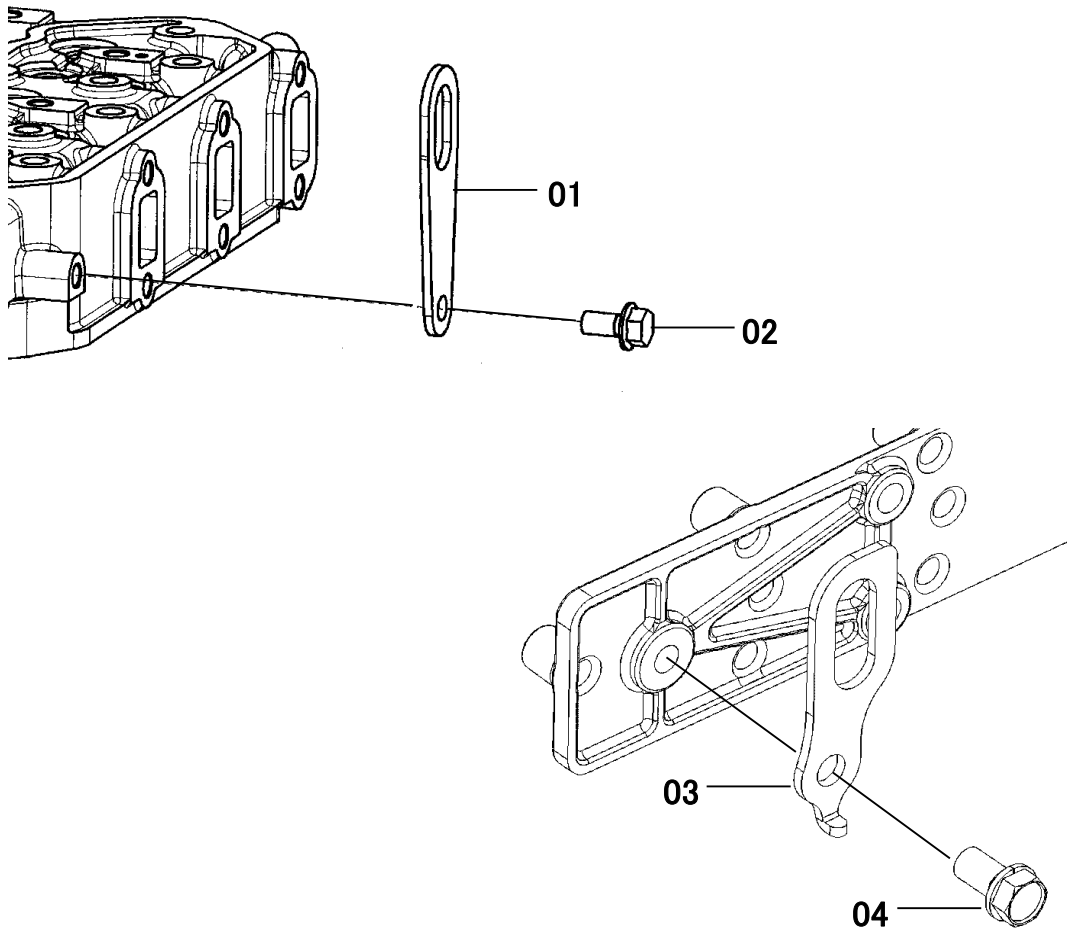
RETAINER, OIL SEAL



PROD. DATE	P/N CORD & PART NAME MODELS(DESCRIPTION)	PART NUMBER	QTY	REV. CORD	PROD. DATE	P/N CORD & PART NAME MODELS(DESCRIPTION)	PART NUMBER	QTY	REV. CORD
	[1105-01] RETAINER, OIL SEAL	11381-UJ010	1			[1105-10] HOUSING, FLYWHEEL			
1301-	[1105-02] SEAL, TYPE T OIL	9001A-31002	1		1301-	[GENERATOR] 11351-UJ020		1	
1301-	[1105-03] GASKET, OIL SEAL RETAINER	11383-UJ010	1		1301-	[1105-11] BOLT, W/WASHER			
1301-	[1105-04] BOLT, W/WASHER	91611-60620	6		1301-	[GENERATOR] 91612-61025		6	
1301-	[1105-05] PIN, STRAIGHT	9001A-23002	2						
1301-	[1105-06] PIN, STRAIGHT	90250-06003	2						

1106

ENGINE HANGER

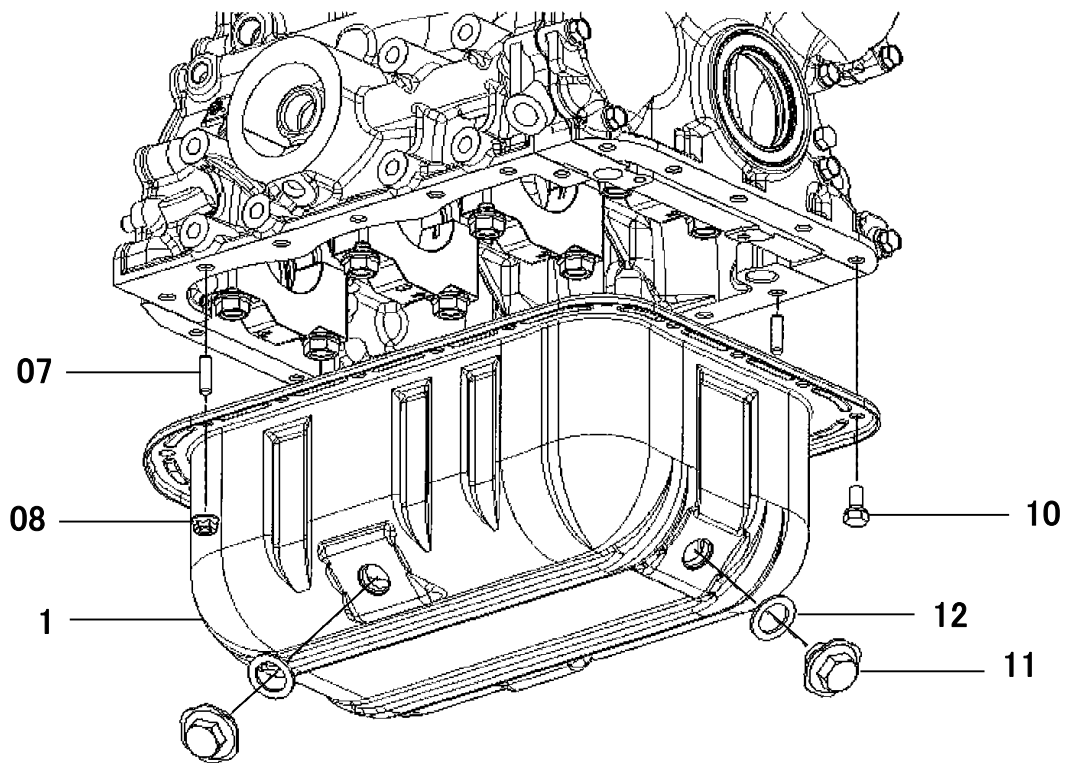


PROD. DATE	P/N MODELS(DESCRIPTION)	CORD	PART NUMBER	QTY	REV. CORD	PROD. DATE	P/N MODELS(DESCRIPTION)	CORD	PART NUMBER	QTY	REV. CORD
	[1106-01] HANGER, ENGINE		12281-UJ010	1							
	[1106-02] BOLT, FLANGE		91551-80816	1							
	[1106-03] HANGER, ENGINE, NO.2		12282-UJ010	1							
	[1106-04] BOLT, W/WASHER		9001A-16024	1							

1201-1

OILPAN

【GENERATOR】

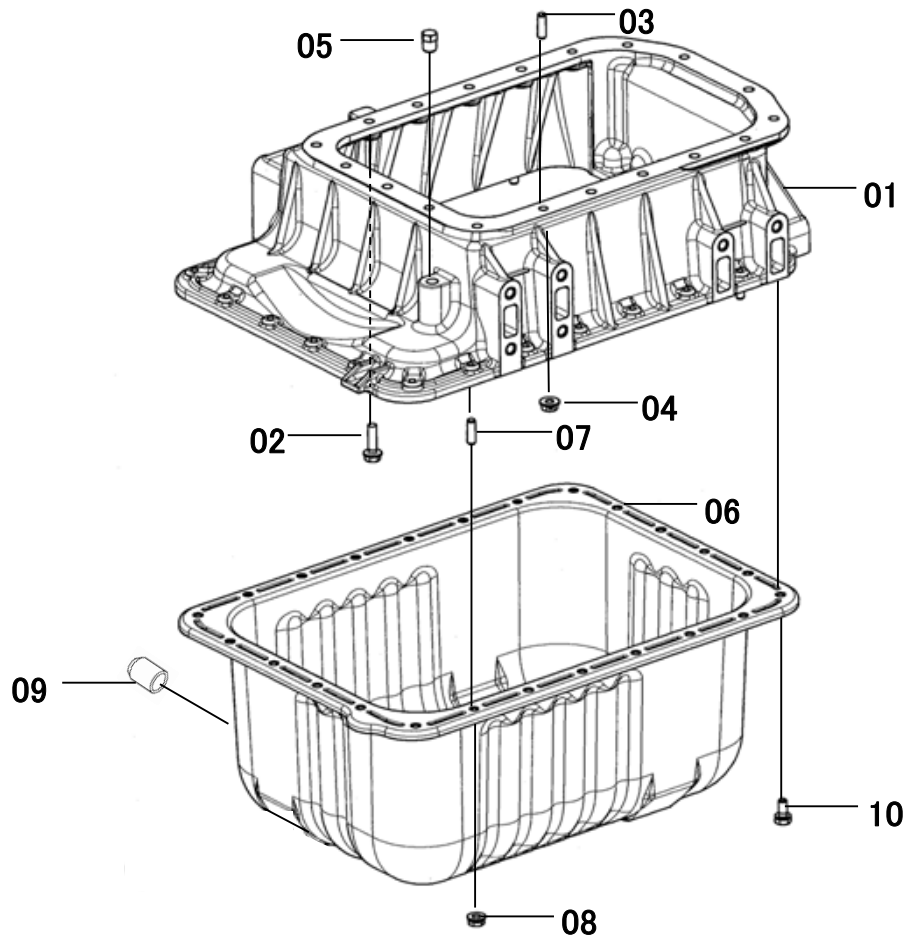


PROD. DATE	P/N CORD & PART NAME MODELS(DESCRIPTION)	PART NUMBER	QTY	REV. CORD	PROD. DATE	P/N CORD & PART NAME MODELS(DESCRIPTION)	PART NUMBER	QTY	REV. CORD
	[1201-01] PAN SUB-ASSY, OIL								
	1301- 【GENERATOR】	12101-UJ010	1						
	[1201-07] BOLT, STUD								
	1301- 【GENERATOR】	92122-60610	2						
	[1201-08] NUT								
	1301- 【GENERATOR】	90179-06070	2						
	[1201-10] BOLT, W/WASHER								
	1301- 【GENERATOR】	91611-60612	17						
	[1201-11] PLUG, W/HEAD STRAIGHT SCREW								
	1301- 【GENERATOR】	9001A-35001	2						
	[1201-12] GASKET								
	1301- 【GENERATOR】	9001A-45002	2						

1201-2

OILPAN

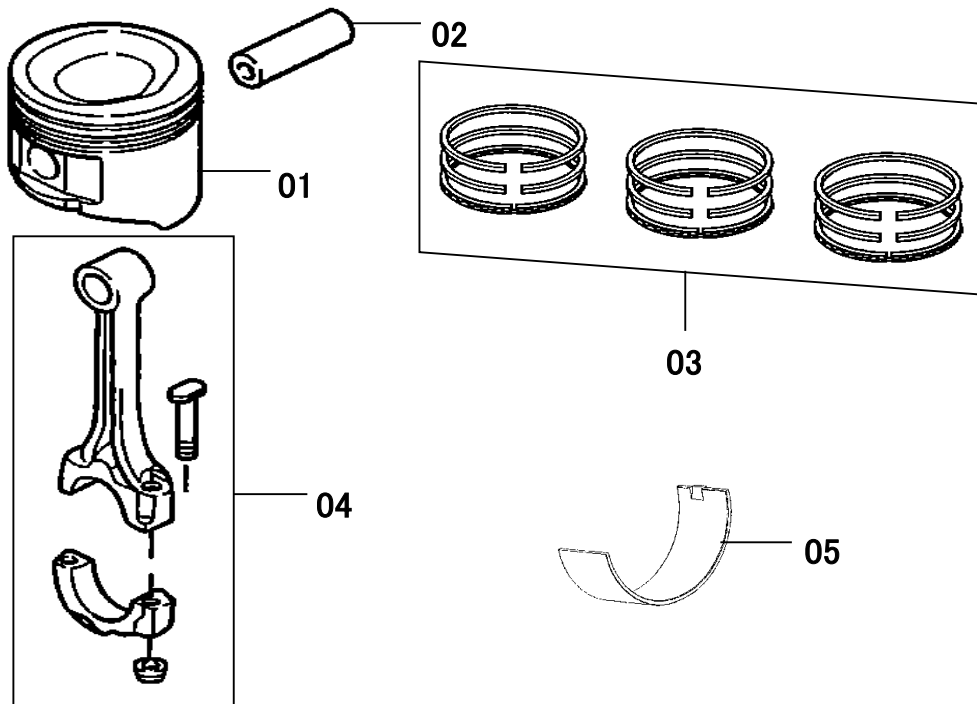
【CHP】



PROD. DATE	P/N CORD & PART NAME MODELS(DESCRIPTION)	PART NUMBER	QTY	REV. CORD	PROD. DATE	P/N CORD & PART NAME MODELS(DESCRIPTION)	PART NUMBER	QTY	REV. CORD
	[1201-01] PAN, OIL, NO.1					[1201-09] PLUG			
1301-	【CHP】	12111-UJ010	1		1301-	90339-16001		1	
	[1201-02] BOLT, FLANGE					【CHP】 # (9001A-33001)			
1301-	【CHP】	9001A-11001	17			[1201-10] BOLT, W/WASHER			
	[1201-03] BOLT, STUD				1301-	【CHP】 91612-60614		20	
1301-	【CHP】	9001A-15030 # (92122-60620)	2						
	[1201-04] NUT								
1301-	【CHP】	90179-06007	2						
	[1201-05] PLUG, W/HEAD TAPER SCREW								
1301-	【CHP】	9001A-39001	1						
	[1201-06] PAN SUB-ASSY, OIL, NO.2								
1301-	【CHP】	12102-UJ020	1						
	[1201-07] BOLT, STUD								
1301-	【CHP】	92122-60610	4						
	[1201-08] NUT								
1301-	【CHP】	90179-06070	4						

1301

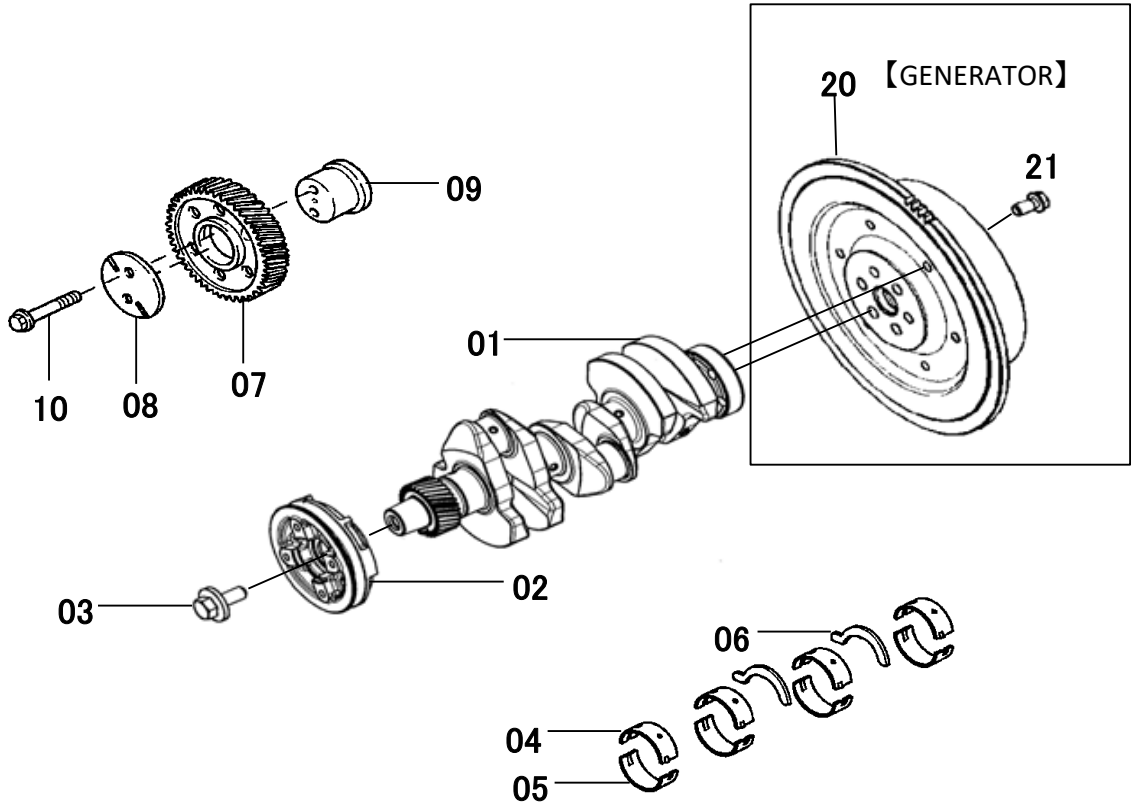
CONROD & PISTON



PROD. DATE	P/N MODELS	CORD & DESCRIPTION	PART NUMBER	QTY	REV. CORD	PROD. DATE	P/N MODELS	CORD & DESCRIPTION	PART NUMBER	QTY	REV. CORD
1301-	[MARK 1]	[1301-01] PISTON	13211-UJ020-01	3		1301-	[MARK 1]	[1301-05] BEARING, CONNECTING ROD	13281-UJ011-01	6	
	[MARK 2]	# (13211-UJ010-01)	13211-UJ020-02	3			[MARK 2]	# (13281-UJ010-01)	13281-UJ011-02	6	
	[MARK 3]	# (13211-UJ010-02)	13211-UJ020-03	3			[MARK 3]	# (13281-UJ010-02)	13281-UJ011-03	6	
		# (13211-UJ010-03)					[MARK 4]	# (13281-UJ010-03)	13281-UJ011-04	6	
1301-		[1301-02] PIN, PISTON	13251-UJ010	3			[MARK 5]	# (13281-UJ010-04)	13281-UJ011-05	6	
1301-		[1301-03] RING SET, PISTON	13011-UJ010	1				# (13281-UJ010-05)			
1301-		[1301-04] ROD SUB-ASSY, CONNECTING	13201-UJ010	3							

1302

CRANKSHAFT

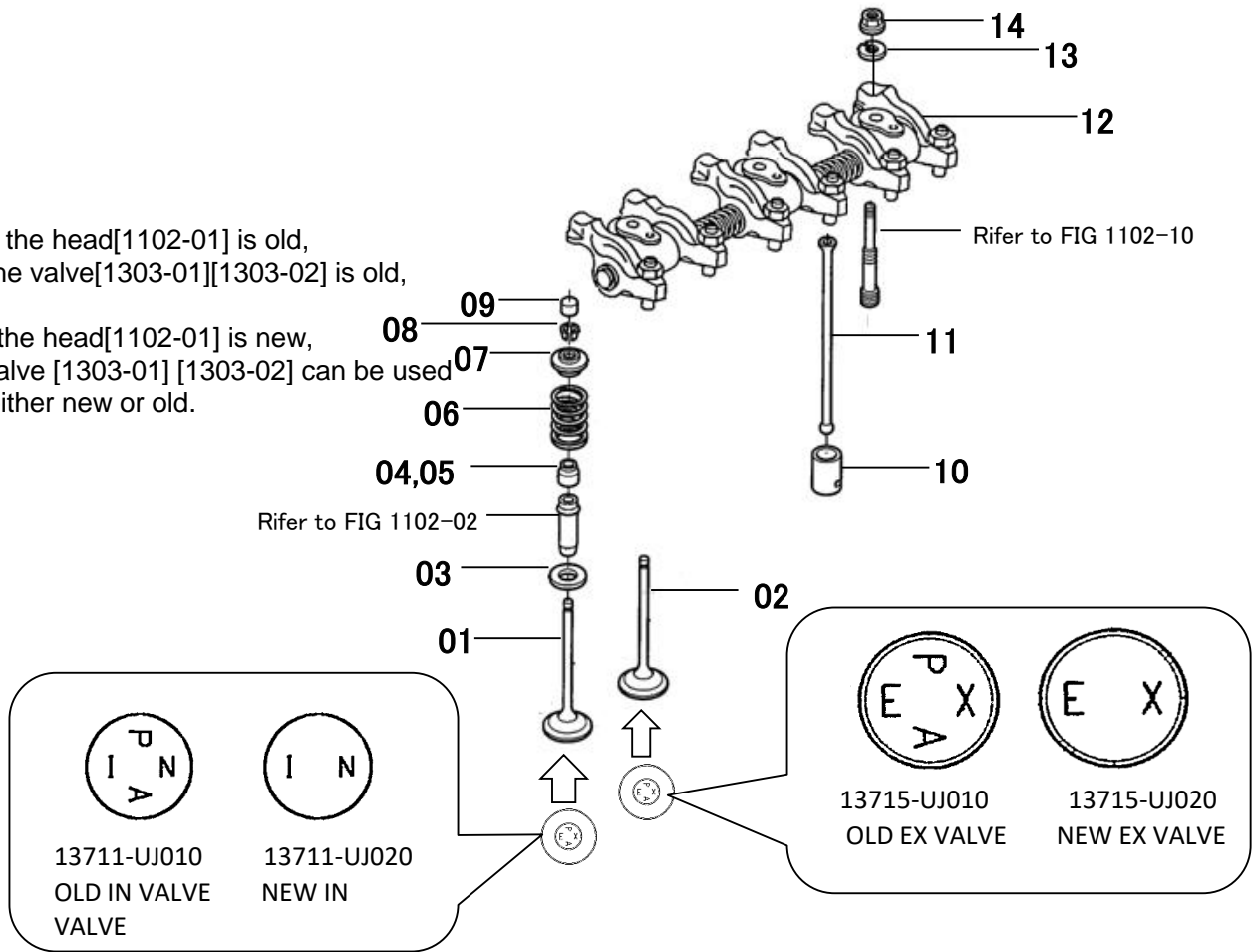


PROD. DATE	P/N CORD & PART NAME MODELS(DESCRIPTION)	PART NUMBER	QTY	REV. CORD	PROD. DATE	P/N CORD & PART NAME MODELS(DESCRIPTION)	PART NUMBER	QTY	REV. CORD
	[1302-01] CRANKSHAFT SUB-ASSY	13401-UJ010	1			[1302-05] BEARING, CRANKSHAFT, NO.2			
1301-					1301-	【MARK 1】 11721-UJ011-01		4	
	[1302-02] PULLEY, CRANKSHAFT	13471-UJ010	1			# (11721-UJ010-01)			
1301-						【MARK 2】 11721-UJ011-02		4	
	[1302-03] BOLT, WASHER BASED HEAD HEXAGON	9001A-10004	1			# (11721-UJ010-02)			
1301-						【MARK 3】 11721-UJ011-03		4	
	[1302-04] BEARING, CRANKSHAFT					# (11721-UJ010-03)			
1301-	【MARK 1】 11711-UJ011-01		4			【MARK 4】 11721-UJ011-04		4	
	# (11711-UJ010-01)					# (11721-UJ010-04)			
	【MARK 2】 11711-UJ011-02		4			【MARK 5】 11721-UJ011-05		4	
	# (11711-UJ010-02)					# (11721-UJ010-05)			
	【MARK 3】 11711-UJ011-03		4			[1302-06] WASHER, CRANKSHAFT THRUST			
	# (11711-UJ010-03)				1301-	11791-UJ010		2	
	【MARK 4】 11711-UJ011-04		4			[1302-07] GEAR, IDLE			
	# (11711-UJ010-04)				1301-	13525-UJ020		1	
	【MARK 5】 11711-UJ011-05		4			# (13508-UJ010)			
	# (11711-UJ010-05)					[1302-08] PLATE, IDLE GEAR THRUST			
					1301-	13572-UJ010		1	
						[1302-09] SHAFT, IDLE GEAR			
					1301-	13581-UJ010		1	
						[1302-10] BOLT, WASHER BASED HEAD HEXAGON			
					1301-	9001A-10001		2	
						[1302-20] FLYWHEEL SUB-ASSY			
					1301-	【GENERATOR】 13405-UJ041		1	
						[1302-21] BOLT, WASHER BASED HEAD HEXAGON			
					1301-	【GENERATOR】 9001A-10003		6	

1303

VALVE & ROCKER ARM

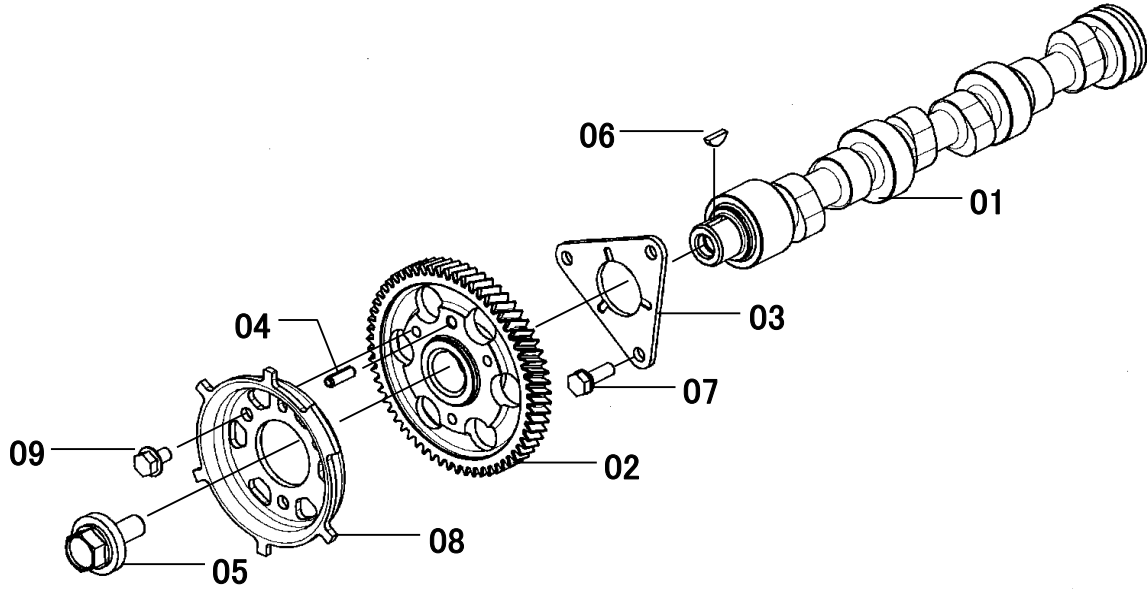
★ If the head[1102-01] is old,
the valve[1303-01][1303-02] is old,
If the head[1102-01] is new,
Valve [1303-01] [1303-02] can be used
either new or old.



PROD. DATE	P/N MODELS	CORD & DESCRIPTION	PART NUMBER	QTY	REV. CORD	PROD. DATE	P/N MODELS	CORD & DESCRIPTION	PART NUMBER	QTY	REV. CORD
1810-1301-1810	[1303-01]	VALVE, INTAKE	★ 13711-UJ020 13711-UJ010	3 ~1KS0034615		1301-	[1303-10]	LIFTER, VALVE	13751-UJ010	6	
1810-1301-1810	[1303-02]	VALVE, EXHAUST	★ 13715-UJ020 13715-UJ010	3 ~1KS0034615		1301-	[1303-11]	ROD, VALVE PUSH	13781-UJ010	6	
1301-	[1303-03]	SEAT, VALVE SPRING	13734-UJ010	6		1301-	[1303-12]	SHAFT ASSY, VALVE ROCKER	13810-UJ010	1	
1301-	[1303-04]	SEAL, VALVE STEM OIL [INTAKE]	9001A-91001	3		1301-	[1303-13]	WASHER, PLATE	94611-10800	3	
1301-	[1303-05]	SEAL, VALVE STEM OIL [EXHAUST]	9001A-91002	3		1301-	[1303-14]	NUT	94130-60800	3	
1301-	[1303-06]	SPRING, COMPRESSION	9001A-50003	6							
1301-	[1303-07]	RETAINER, VALVE SPRING	13741-UJ010	6							
1301-	[1303-08]	LOCK, VALVE SPRING RETAINER	90913-03021	12							
1301-	[1303-09]	CAP, VALVE STEM	13716-UJ010	6							

1304

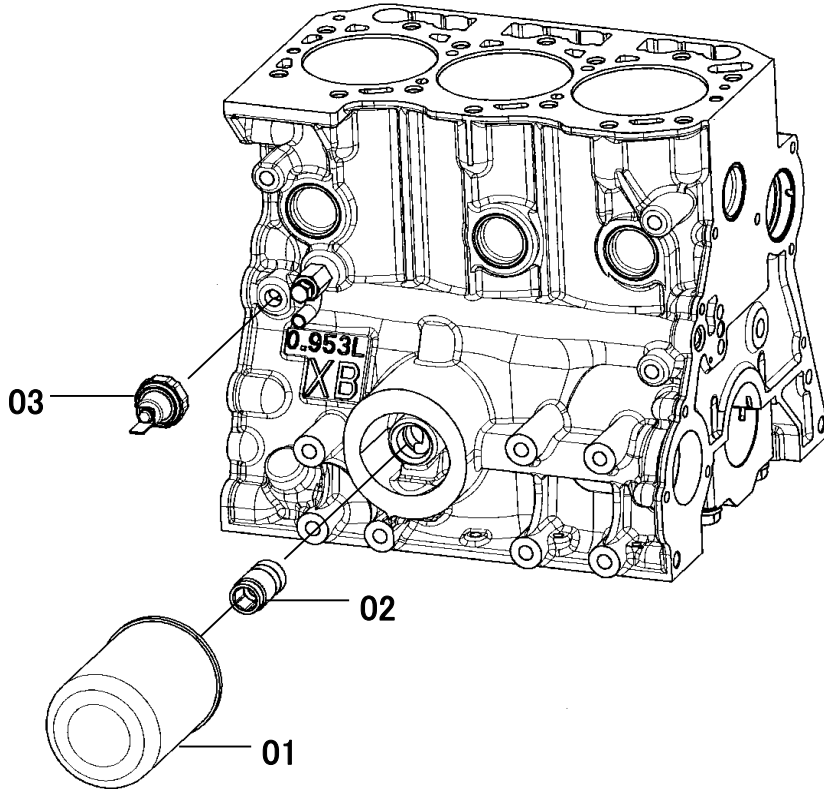
CAMSHAFT



PROD. DATE	P/N CORD & PART NAME MODELS(DESCRIPTION)	PART NUMBER	QTY	REV. CORD	PROD. DATE	P/N CORD & PART NAME MODELS(DESCRIPTION)	PART NUMBER	QTY	REV. CORD
	[1304-01] CAMSHAFT								
1301-	13511-UJ010		1						
	[1304-02] GEAR, CAMSHAFT TIMING								
1301-	13523-UJ010		1						
	[1304-03] PLATE, CAMSHAFT THRUST								
1301-	13571-UJ010		1						
	[1304-04] PIN, SLOTTED SPRING								
1301-	9001A-25002		1						
	[1304-05] BOLT, W/WASHER								
1301-	9001A-16003		1						
	[1304-06] KEY, WOODRUFF								
1301-	9001A-27001		1						
	[1304-07] BOLT, W/WASHER								
1301-	9001A-16019		3						
	# (91611-60618)								
	[1304-08] ROTOR, SIGNAL								
1301-	19183-UJ010		1						
	[1304-09] BOLT, FLANGE								
1301-	91511-60610		3						

1501

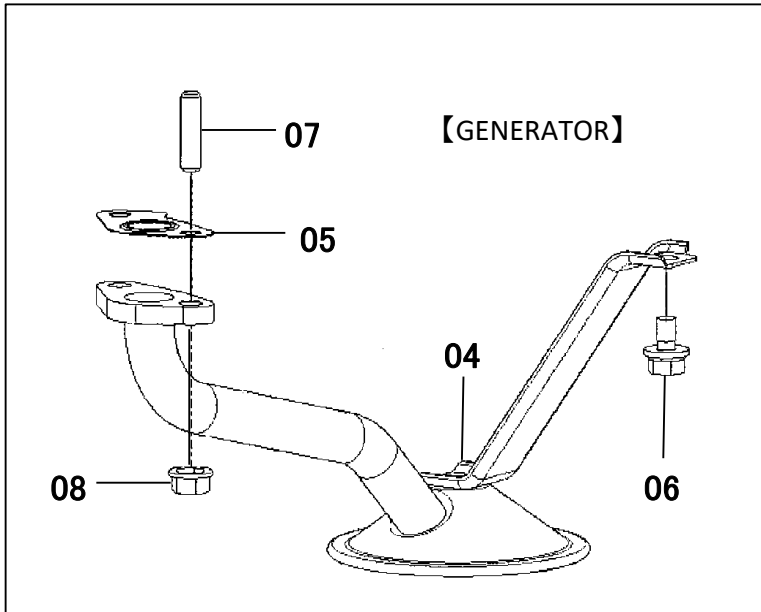
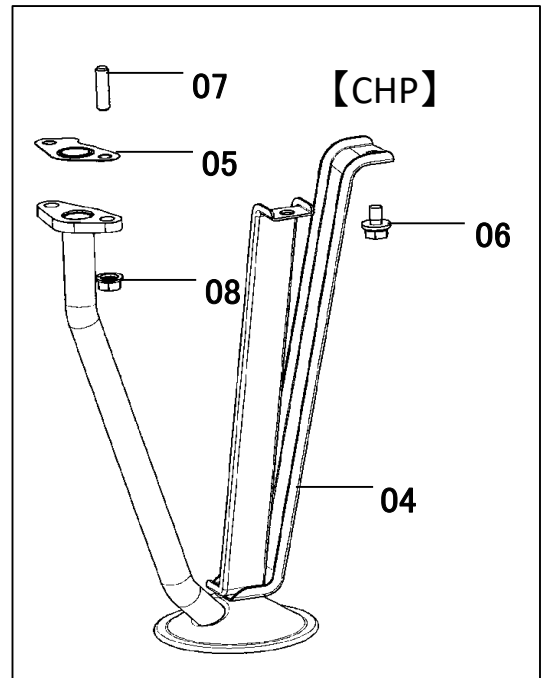
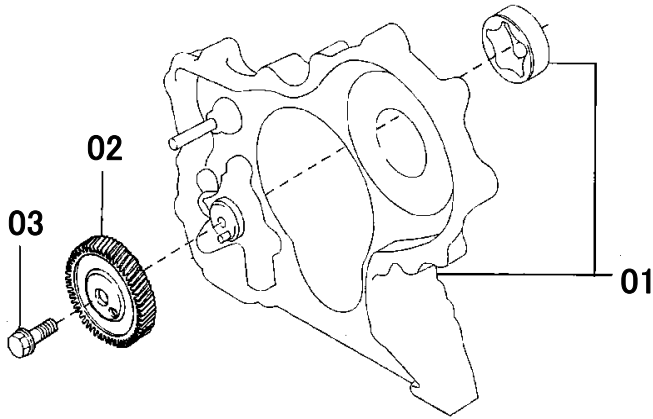
OIL FILTER



PROD. DATE	P/N CORD & PART NAME MODELS(DESCRIPTION)	PART NUMBER	QTY	REV. CORD	PROD. DATE	P/N CORD & PART NAME MODELS(DESCRIPTION)	PART NUMBER	QTY	REV. CORD
	[1501-01] FILTER, OIL								
1301-		90915-10004	1						
	[1501-02] UNION								
1301-		90404-19013	1						
	[1501-03] SWITCH ASSY, OIL PRESSURE								
1301-	[GENERATOR]	83530-UC010	1						
	[CHP]	83530-UB010	1						

1502

OIL PUMP

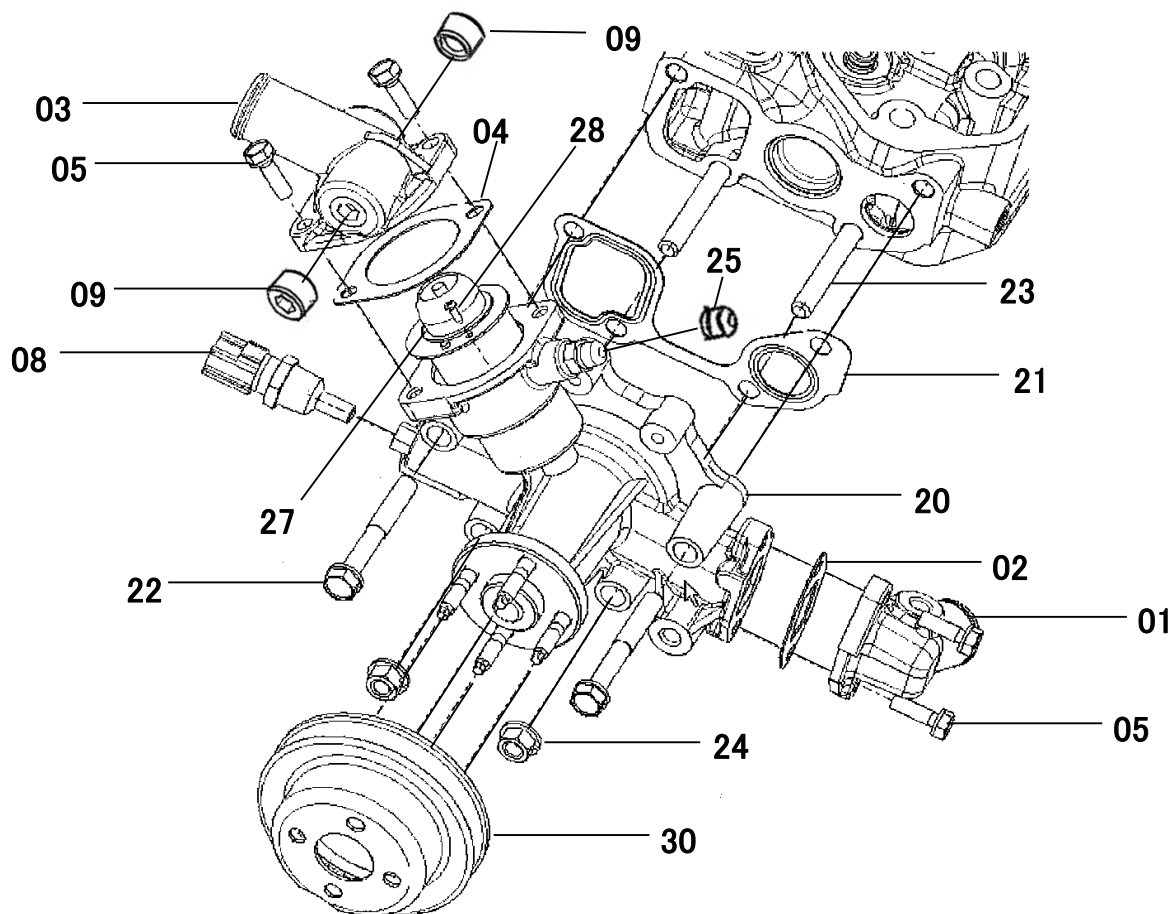


PROD. DATE	P/N MODELS(DESCRIPTION)	CORD	PART NAME	PART NUMBER	QTY	REV. CORD	PROD. DATE	P/N MODELS(DESCRIPTION)	CORD	PART NAME	PART NUMBER	QTY	REV. CORD
	[1502-01] CASE SUB-ASSY, TIMING GEAR							[1502-08] NUT					
1301-	[GENERATOR]		11301-UJ020		1		1301-			90179-06158		2	
	[CHP]		11301-UJ010		1								
	[1502-02] GEAR, OIL PUMP DRIVE												
1301-			13519-UJ010		1								
	[1502-03] BOLT, W/WASHER												
1301-			91651-60820		1								
	[1502-04] STRAINER ASSY, OIL PUMP												
1301-	[GENERATOR]		15140-UJ020		1								
	[CHP]		15140-UJ010		1								
	[1502-05] GASKET, OIL STRAINER FLANGE												
1301-			15149-UJ010		1								
	[1502-06] BOLT, W/WASHER												
1301-	[GENERATOR]		91651-60612		1								
	[CHP]		91651-60612		2								
	[1502-07] BOLT, STUD												
1301-			92122-60614		2								

1601-1

WATER INLET & OUTLET

【GENERATOR】

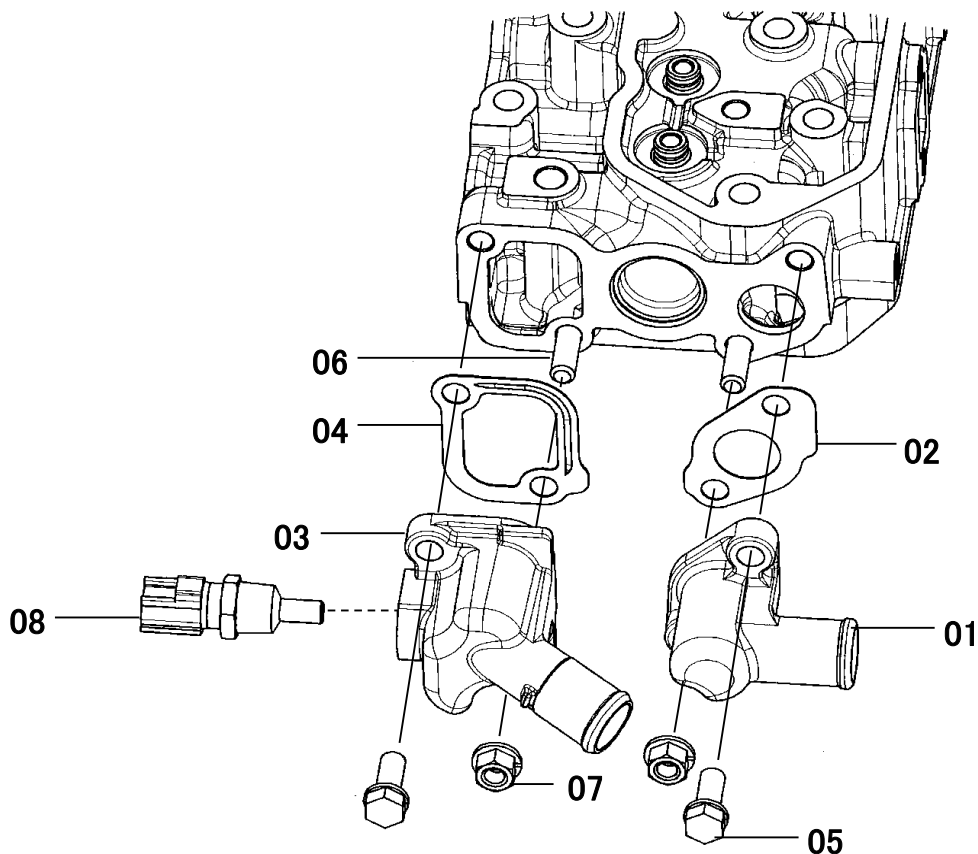


PROD. DATE	P/N MODELS	CORD & PART NAME (DESCRIPTION)	PART NUMBER	QTY	REV. CORD	PROD. DATE	P/N MODELS	CORD & PART NAME (DESCRIPTION)	PART NUMBER	QTY	REV. CORD
		[1601-01] INLET, WATER						[1601-21] GASKET, WATER PUMP			
1301-	【GENERATOR】	16321-UJ020	16321-UJ020	1		1301-	【GENERATOR】	16271-UJ010	16271-UJ010	1	
		[1601-02] GASKET, WATER INLET HOUSING						[1601-22] BOLT, W/WASHER			
1301-	【GENERATOR】	16325-UJ020	16325-UJ020	1		1301-	【GENERATOR】	9001A-16021	9001A-16021	2	
		[1601-03] OUTLET, WATER						[1601-23] BOLT, STUD			
1301-	【GENERATOR】	16331-UJ020	16331-UJ020	1		1301-	【GENERATOR】	9001A-15006	9001A-15006	2	
		[1601-04] GASKET, WATER OUTLET						[1601-24] NUT, FLANGE			
1301-	【GENERATOR】	16341-UJ020	16341-UJ020	1		1301-	【GENERATOR】	94151-80800 # (90179-08146)	94151-80800	2	
		[1601-05] BOLT, W/WASHER						[1601-25] CAP, BLEEDER PLUG			
1301-	【GENERATOR】	91611-60620	91611-60620	4		1301-	【GENERATOR】	31478-UJ010	31478-UJ010	1	
		[1601-08] SENSOR, WATER TEMPERATURE						[1601-27] THERMOSTAT			
1301-	【GENERATOR】	89422-UJ010	89422-UJ010	1		1301-	【GENERATOR】	9001A-97001	9001A-97001	1	
		[1601-09] PLUG, TAPER SCREW						[1601-28] SCREW, TAPPING			
1301-	【GENERATOR】	90344-53011	90344-53011	2		1301-	【GENERATOR】	9001A-1D001	9001A-1D001	1	
		[1601-20] PUMP ASSY, WATER						[1601-30] PULLEY, FAN			
1301-	【GENERATOR】	16100-UJ010	16100-UJ010	1		1301-	【GENERATOR】	16371-UJ010	16371-UJ010	1	

1601-2

WATER INLET & OUTLET

【CHP】

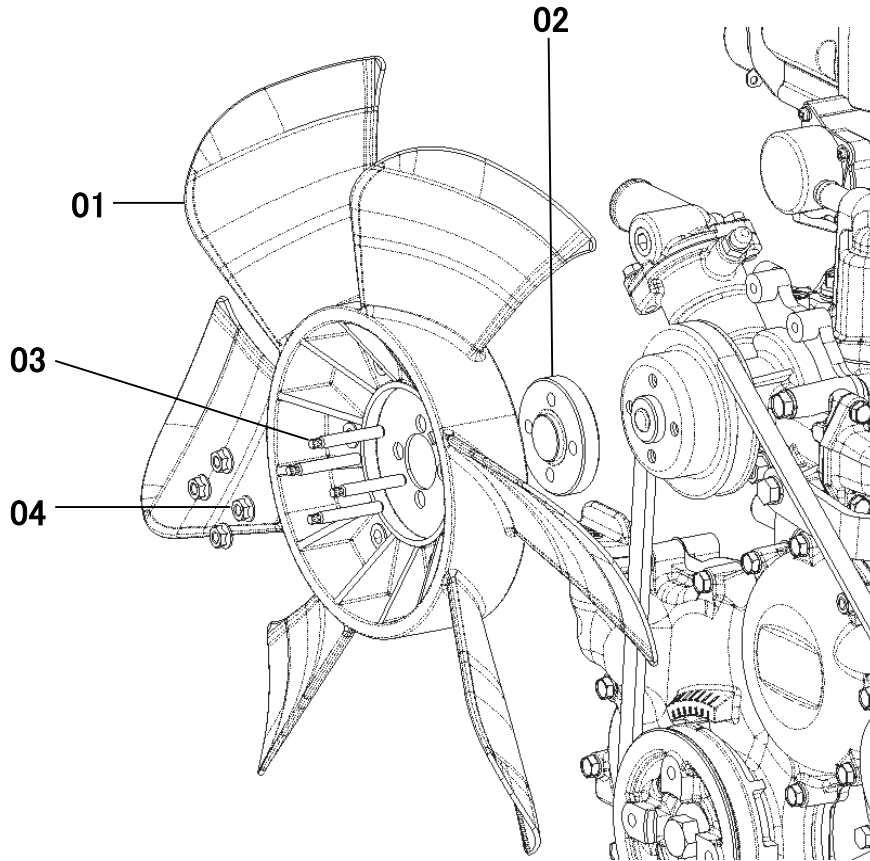


PROD. DATE	P/N MODELS	CORD & PART NAME (DESCRIPTION)	PART NUMBER	QTY	REV. CORD	PROD. DATE	P/N MODELS	CORD & PART NAME (DESCRIPTION)	PART NUMBER	QTY	REV. CORD
		[1601-01] INLET, WATER						[1601-08] SENSOR, WATER TEMPERATURE			
1301-	【CHP】		16321-UJ010	1		1301-		89422-UJ010		1	
1301-	【CHP】	[1601-02] GASKET, WATER INLET HOUSING	16325-UJ010	1							
1301-	【CHP】	[1601-03] OUTLET, WATER	16331-UJ010	1							
1301-	【CHP】	[1601-04] GASKET, WATER OUTLET	16341-UJ010	1							
1301-	【CHP】	[1601-05] BOLT, W/WASHER	91611-60822	2							
1301-	【CHP】	[1601-06] BOLT, STUD	9001A-15002	2							
1301-	【CHP】	[1601-07] NUT	94151-80800 # (90179-08146)	2							

1602

FAN

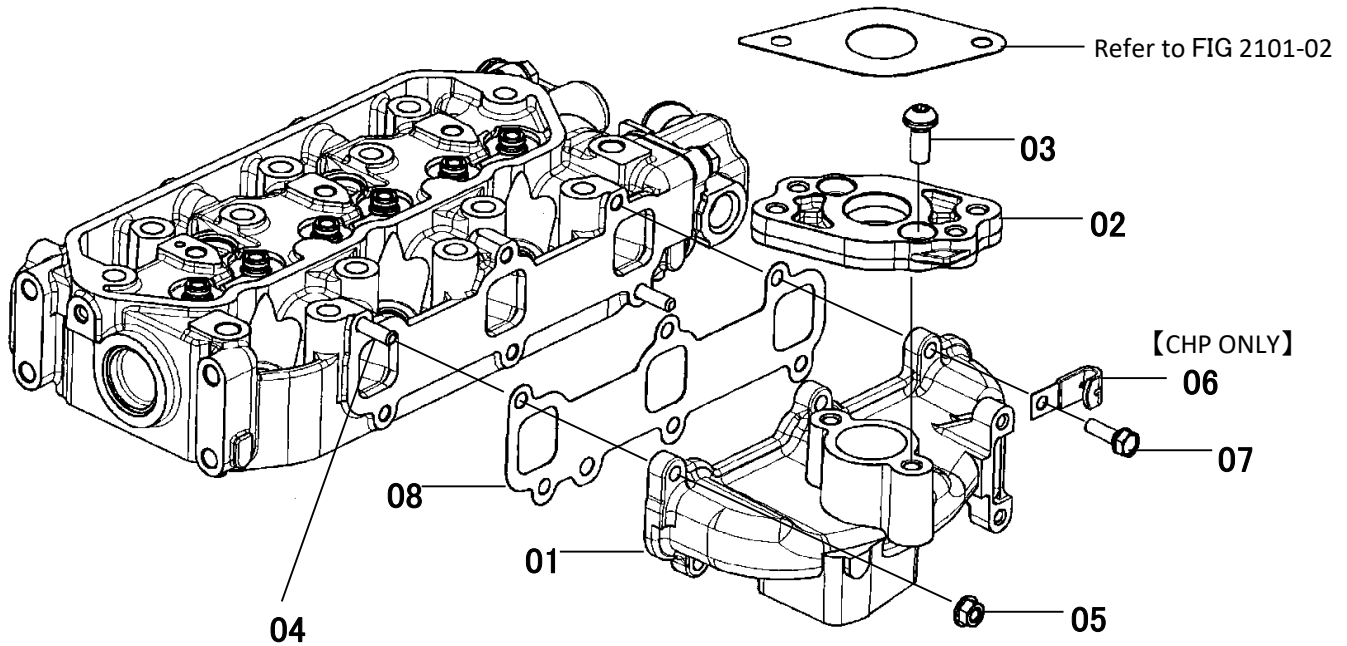
【GENERATOR】



PROD. DATE	P/N MODELS	CORD & DESCRIPTION	PART NUMBER	QTY	REV. CORD	PROD. DATE	P/N MODELS	CORD & DESCRIPTION	PART NUMBER	QTY	REV. CORD
		[1602-01] FAN									
	1301-	【GENERATOR】	16361-UJ010	1							
		[1602-02] SPACER, FAN									
	1301-	【GENERATOR】	16365-UJ010	1							
		[1602-03] STUD, HEX LOBULAR									
	1301-	【GENERATOR】	90126-06011	4							
		[1602-04] NUT, FLANGE									
	1301-	【GENERATOR】	94151-80600	4							

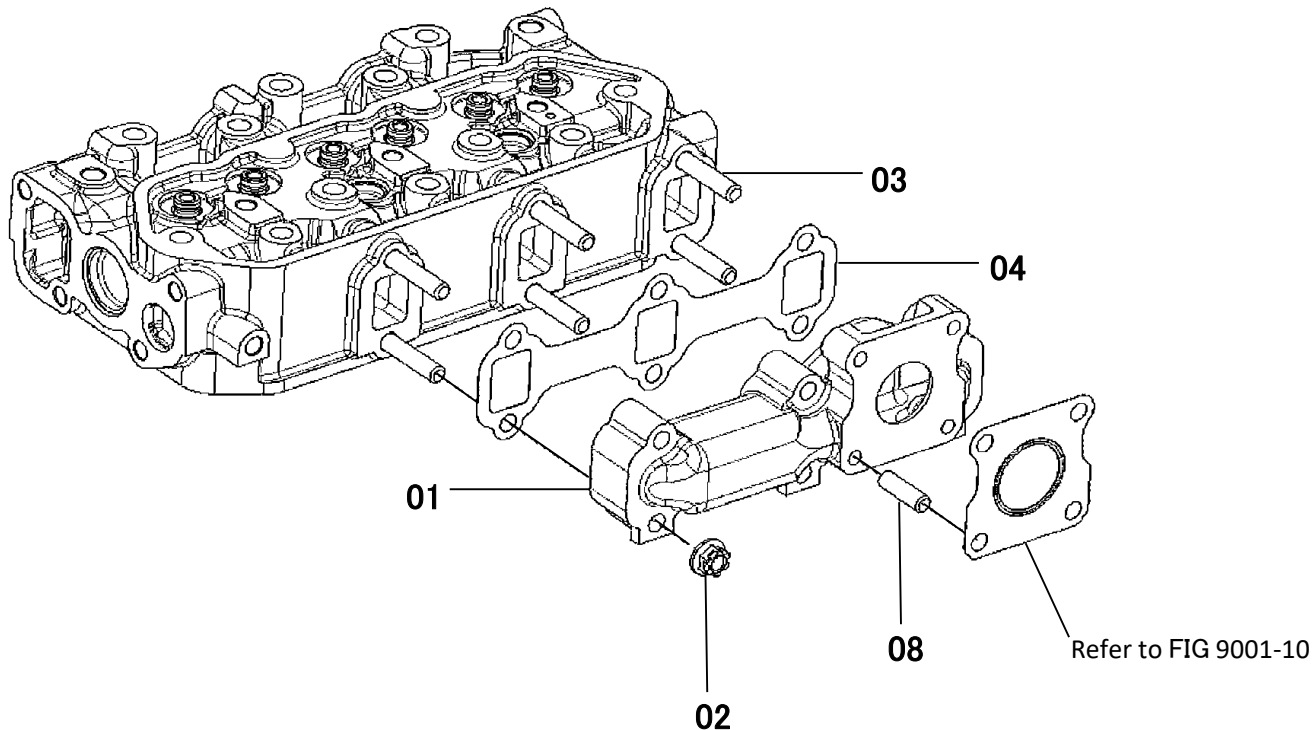
1701

INTAKE_MANIFOLD



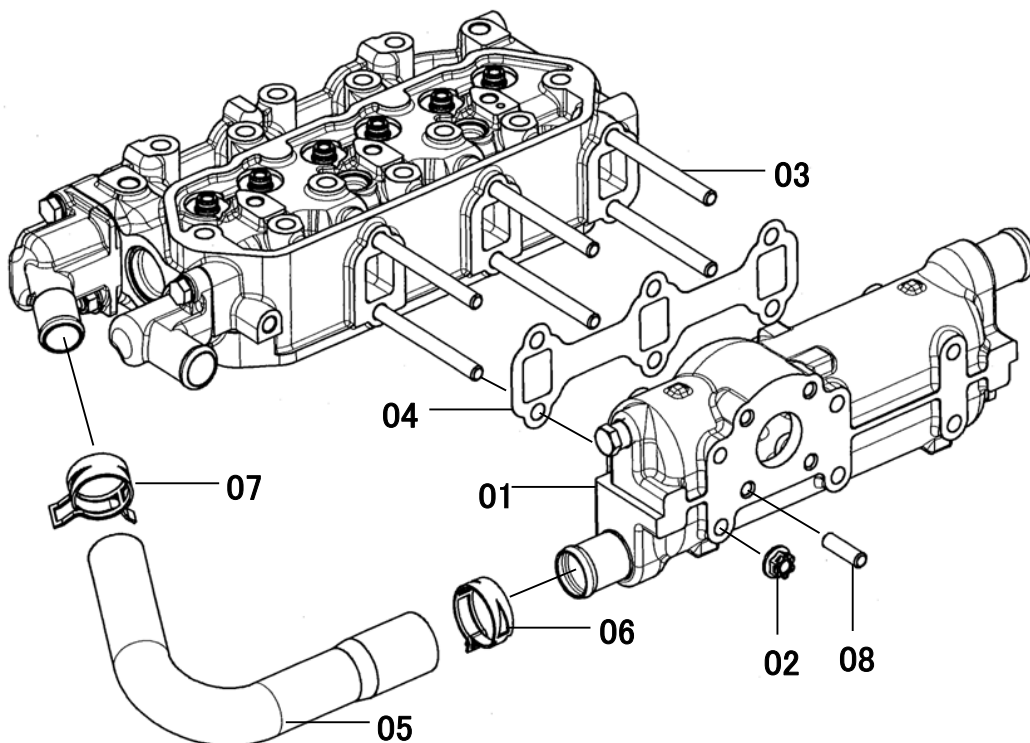
PROD. DATE	P/N CORD & PART NAME MODELS(DESCRIPTION)	PART NUMBER	QTY	REV. CORD	PROD. DATE	P/N CORD & PART NAME MODELS(DESCRIPTION)	PART NUMBER	QTY	REV. CORD
	[1701-01] MANIFOLD, INTAKE								
1301-		17111-UJ010	1						
	[1701-02] FLANGE, INTAKE								
1301-		17114-UJ010	1						
	[1701-03] SCREW, W/WASHER								
1301-		9001A-19001	2						
	[1701-04] BOLT, STUD								
1301-		90126-06024 # (92122-80618)	2						
	[1701-05] NUT								
1301-		90179-06158	2						
	[1701-06] CLAMP								
1301-	[CHP]	9001A-48001	1						
	[1701-07] BOLT, W/WASHER								
1301-		91611-60620	4						
	[1701-08] GASKET, INTAKE MANIFOLD TO HEAD								
1301-		17177-UJ010	1						

【GENERATOR】



PROD. DATE	P/N MODELS(DESCRIPTION)	CORD	PART NUMBER	QTY	REV. CORD	PROD. DATE	P/N MODELS(DESCRIPTION)	CORD	PART NUMBER	QTY	REV. CORD
	[1702-01] MANIFOLD, EXHAUST										
1301-	【GENERATOR】		17141-UJ020	1							
	[1702-02] NUT, LOCK										
1301-			94185-60800	6							
	[1702-03] BOLT, STUD										
1301-	【GENERATOR】		92132-80835	6							
	[1702-04] GASKET, EXHAUST MANIFOLD TO HEAD										
1301-			17173-UJ010	1							
	[1702-08] BOLT, STUD										
1301-			9001A-15004	4							

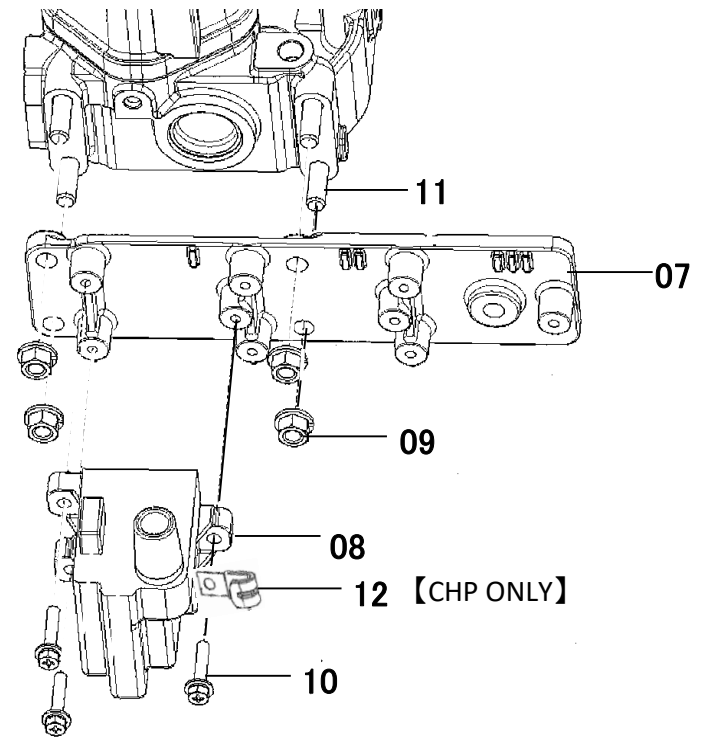
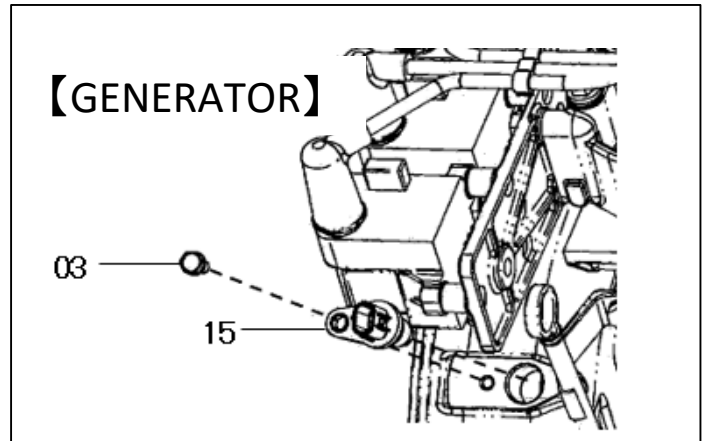
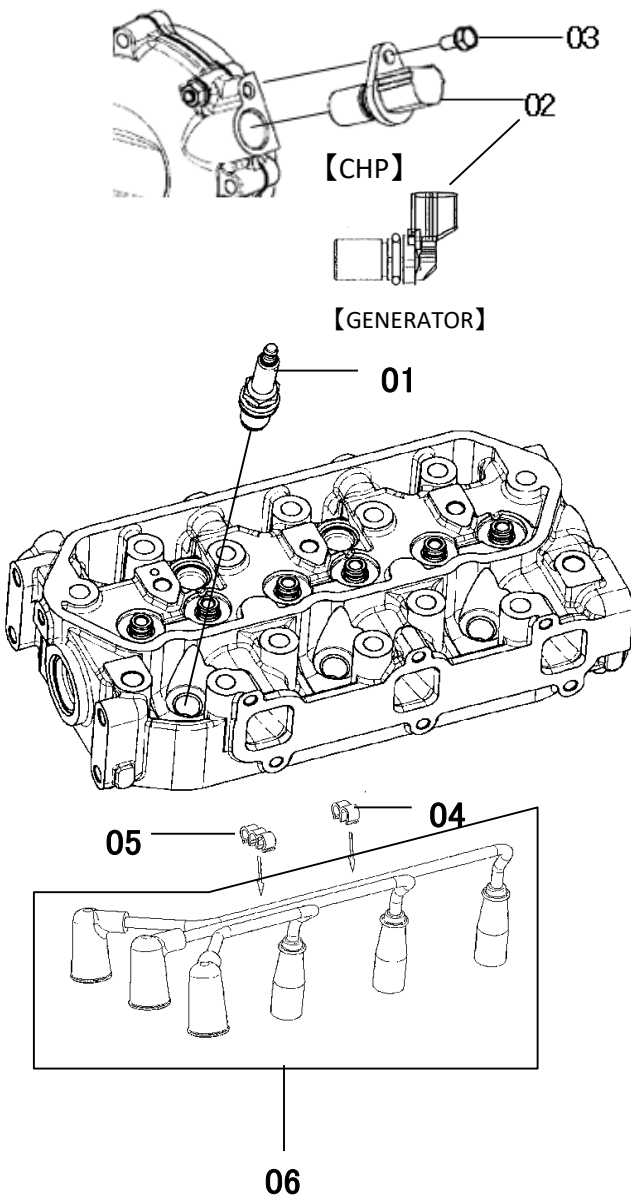
【CHP】



PROD. DATE	P/N MODELS	CORD & PART NAME (DESCRIPTION)	PART NUMBER	QTY	REV. CORD	PROD. DATE	P/N MODELS	CORD & PART NAME (DESCRIPTION)	PART NUMBER	QTY	REV. CORD
		[1702-01] MANIFOLD SUB-ASSY, EXHAUST									
1301-	【CHP】		17104-UJ010	1							
		[1702-02] NUT, LOCK									
1301-			94185-60800	6							
		[1702-03] BOLT, STUD									
1301-	【CHP】		9001A-15005	6							
		[1702-04] GASKET, EXHAUST MANIFOLD TO HEAD									
1301-			17173-UJ010	1							
		[1702-05] HOSE, WATER BY-PASS									
1301-	【CHP】		16261-UJ010	1							
		[1702-06] CLIP, HOSE									
1301-	【CHP】		9001A-49001	1							
		[1702-07] CLIP, HOSE									
1301-	【CHP】		96136-42901	1							
		[1702-08] BOLT, STUD									
1301-			9001A-15004	4							

1901

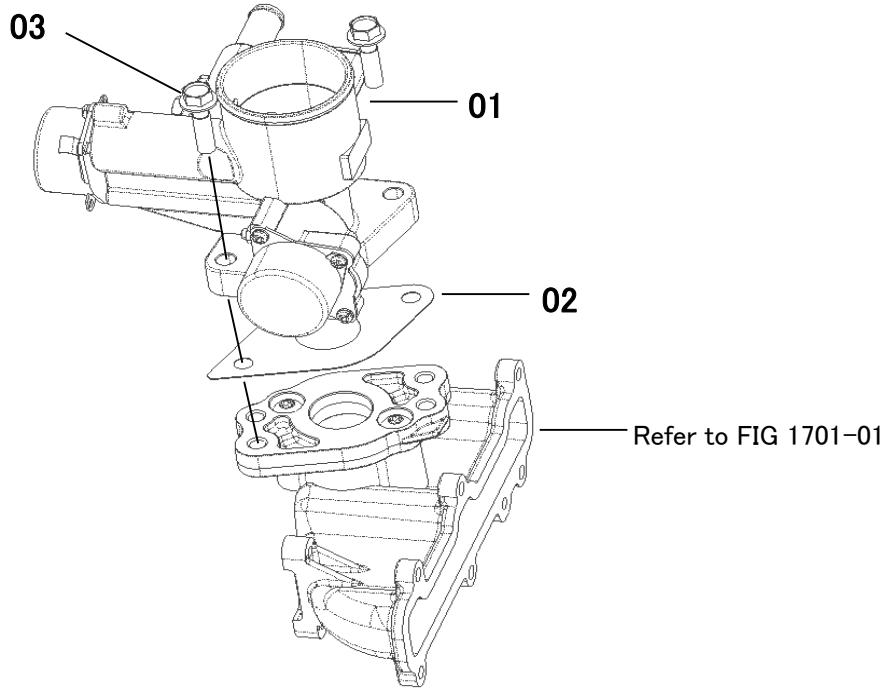
IGNITION_SYSTEM



PROD. DATE	P/N MODELS	CORD & PART NAME (DESCRIPTION)	PART NUMBER	QTY	REV. CORD	PROD. DATE	P/N MODELS	CORD & PART NAME (DESCRIPTION)	PART NUMBER	QTY	REV. CORD
		[1901-01] PLUG, SPARK						[1901-08] COIL ASSY, IGNITION			
1301-		【GENERATOR】	9001A-98001	3		1301-		19500-UJ010		3	
		【CHP】	9001A-98002	3				[1901-09] NUT			
1301-		[1901-02] SENSOR, CRANK POSITION				1301-		94151-80800		4	
		【GENERATOR】	19311-UB020	1				# (90179-08146)			
		【CHP】	19311-UB010	1				[1901-10] BOLT, FLANGE			
1301-		[1901-03] BOLT, W/WASHER				1301-		91551-80525		9	
		【GENERATOR】	91612-60614	2				# (9001A-19004)			
		【CHP】	91612-60614	1				[1901-11] BOLT, STUD			
1301-		[1901-04] CLAMP				1301-		92122-60820		4	
			90464-00082	1				[1901-12] CLAMP			
1301-		[1901-05] CLAMP				1301-		【CHP】	9001A-48001	1	
			90464-00074	1				[1901-15] SENSOR, CRANK POSITION			
1301-		[1901-06] CORD SET, RESISTIVE				1301-		【GENERATOR】	90919-05060	1	
			9001A-9E001	1							
1301-		[1901-07] BRACKET, IGNITION COIL									
			19968-UJ010	1							

2101

FUEL SYSTEM



PROD. DATE	P/N CORD & PART NAME MODELS(DESCRIPTION)	PART NUMBER	QTY	REV. CORD	PROD. DATE	P/N CORD & PART NAME MODELS(DESCRIPTION)	PART NUMBER	QTY	REV. CORD
------------	--	-------------	-----	-----------	------------	--	-------------	-----	-----------

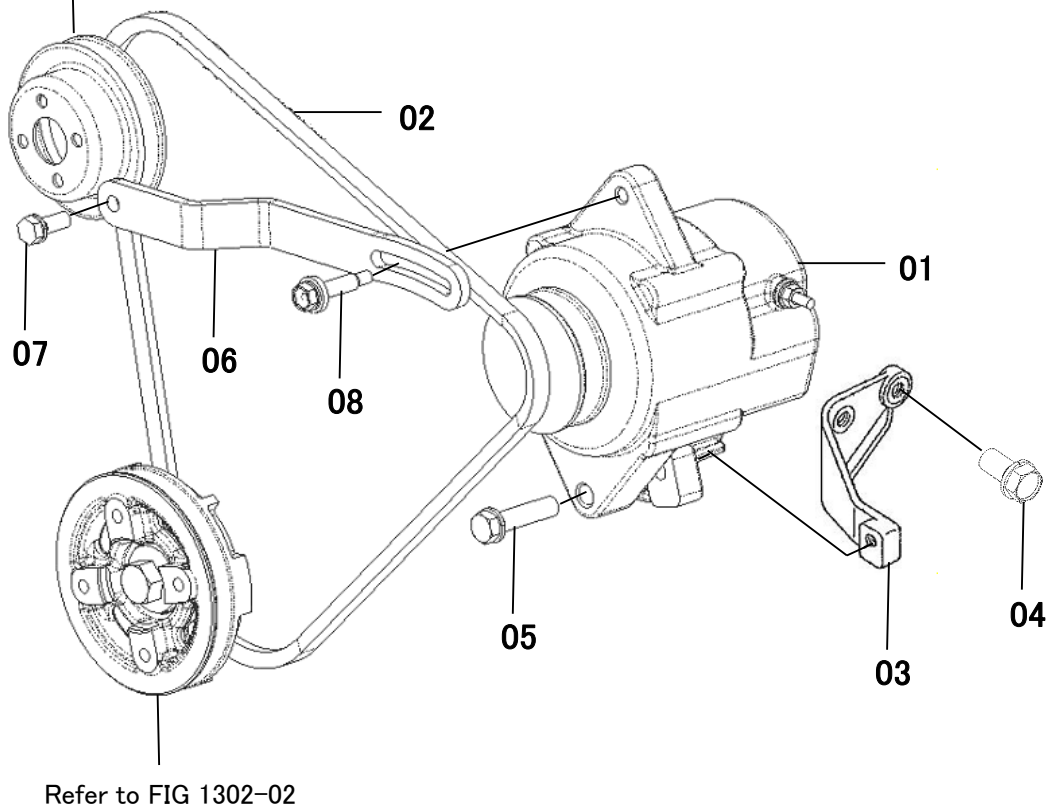
	[2101-01] ADAPTER SUB-ASSY								
1301-	【GENERATOR】	21106-UJ010	1						
	【CHP】	21106-UJ020	1						
	[2101-02] GASKET, CARBURETOR								
1301-		21911-UJ010	1						
	[2101-03] BOLT, FLANGE								
1301-		91551-80830	2						

2701

ALTERNATOR

【GENERATOR】

Refer to FIG 1601-30

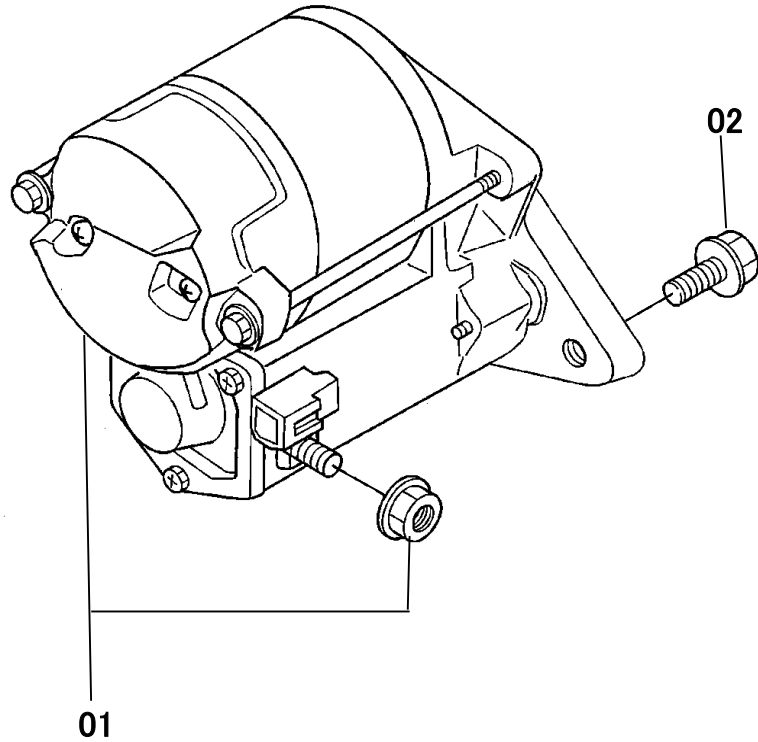


PROD. DATE	P/N MODELS	CORD & PART NAME (DESCRIPTION)	PART NUMBER	QTY	REV. CORD	PROD. DATE	P/N MODELS	CORD & PART NAME (DESCRIPTION)	PART NUMBER	QTY	REV. CORD
		[2701-01] ALTERNATOR ASSY, W/REGULATOR									
	1301-	【GENERATOR】	27060-UJ010	1							
		[2701-02] BELT, V									
	1301-	【GENERATOR】	9001A-96001	1							
		[2701-03] BRACKET, ALTERNATOR									
	1301-	【GENERATOR】	12511-UJ010	1							
		[2701-04] BOLT, W/WASHER									
	1301-	【GENERATOR】	91611-60825	2							
		[2701-05] BOLT, W/WASHER									
	1301-	【GENERATOR】	9001A-16004	1							
		[2701-06] BAR, FAN BELT ADJUSTING									
	1301-	【GENERATOR】	16381-UJ010	1							
		[2701-07] BOLT, W/WASHER									
	1301-	【GENERATOR】	91611-60820	1							
		[2701-08] BOLT, W/WASHER									
	1301-	【GENERATOR】	9001A-16002	1							

2801

STARTER

【GENERATOR】

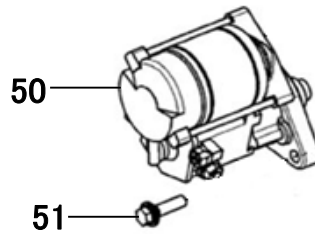
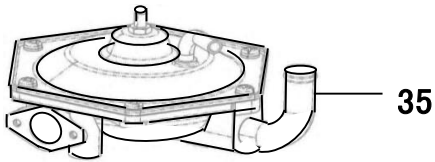
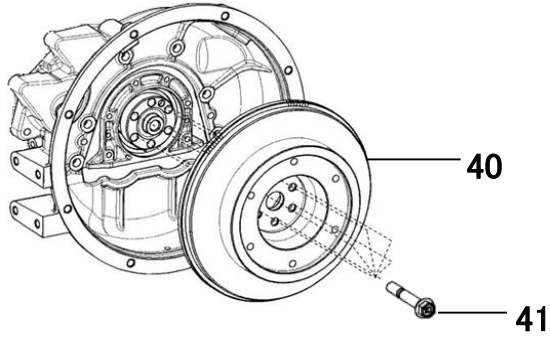
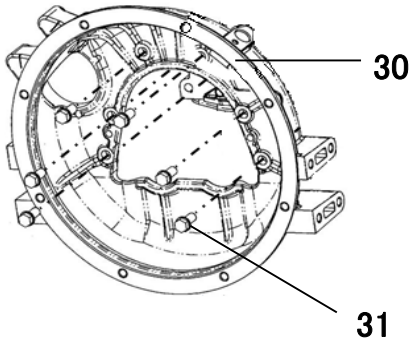
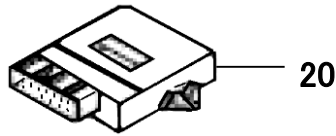
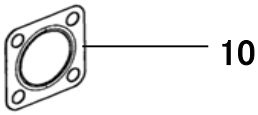


PROD. DATE	P/N	CORD & PART NAME	PART NUMBER	QTY	REV. CORD	PROD. DATE	P/N	CORD & PART NAME	PART NUMBER	QTY	REV. CORD
------------	-----	------------------	-------------	-----	-----------	------------	-----	------------------	-------------	-----	-----------

		[2801-01] STARTER ASSY									
1301-		【GENERATOR】	28100-UJ010	1							
		[2801-02] BOLT, W/WASHER									
1301-		【GENERATOR】	91651-61040	2							

9001

LOOSE PARTS



PROD. DATE	P/N	CORD DESCRIPTION & R/P	PART NAME PART NUMBER	QTY	REV. CORD	PROD. DATE	P/N	CORD DESCRIPTION & R/P	PART NAME PART NUMBER	QTY	REV. CORD
			[9001-10] GASKET, EXHAUST PIPE								
1301-		[GENERATOR]	17451-UJ020	1							
		[CHP]	17451-UJ010	1							
			[9001-20] IGNITER ASSY								
1301-			19200-UJ010	1							
			[9001-30] HOUSING, FLYWHEEL								
1301-		[CHP]	11351-UJ010	1							
			[9001-31] BOLT, WASHER BASED HEAD HEXAGON								
1301-		[CHP]	9001A-10003	6							
			[9001-35] REGULATOR ASSY, LPG								
1301-		[GENERATOR]	23500-UJ010	1							
			[9001-40] FLYWHEEL SUB-ASSY								
1301-		[CHP]	13405-UJ050	1							
			[9001-41] BOLT, W/WASHER								
1301-		[CHP]	91612-61025	6							
			[9001-50] STARTER ASSY								
1301-		[CHP]	28100-UJ010	1							
			[9001-51] BOLT, W/WASHER								
1301-		[CHP]	91651-61040	2							