

WSM

WORKSHOP MANUAL
**GASOLINE, LPG,
NATURAL GAS ENGINE**

**WG972-E2, DF972-E2,
DG972-E2**

Kubota

TO THE READER

This Workshop Manual tells the servicing personnel about the mechanism, servicing and maintenance of the WG972-E2, DF972-E2 and DG972-E2. It contains 4 parts: **"Information"**, **"General"**, **"Mechanism"** and **"Servicing"**.

■ Information

This section contains information below.

- Safety First
- Specification
- Performance Curve
- Important Items of Exhaust Emission Regulation
- Dimension
- Wiring Diagram

■ General

This section contains information below.

- Engine Identification
- General Precautions
- Maintenance Check List
- Check and Maintenance
- Special Tools

■ Mechanism

This section contains information on the structure and the function of the unit. Before you continue with the subsequent sections, make sure that you read this section.

Refer to the latest version of Workshop Manual (Code No. 9Y021-01870 / 9Y021-18200) for the diesel engine / tractor mechanism that this workshop manual does not include.

■ Servicing

This section contains information below.

- Troubleshooting
- Servicing Specifications
- Tightening Torques
- Checking, Disassembling and Servicing

All illustrations, photographs and specifications contained in this manual are of the newest information available at the time of publication.

KUBOTA reserves the right to change all information at any time without notice.

Since this manual includes many models, information or illustrations and photographs can show more than one model.

I INFORMATION

INFORMATION

CONTENTS

1. SAFETY FIRST	I-1
2. SPECIFICATIONS	I-4
3. IMPORTANT ITEMS OF EXHAUST EMISSION REGULATION.....	I-6
[1] INLET AND EXHAUST SYSTEM	I-6
[2] ALTITUDE COMPENSATION KIT (WG972-E2, DF972-E2)	I-6
[3] LPG REGULATOR WITH VAPORIZER (DF972-E2)	I-6
[4] KUBOTA RECOMMENDED LPG FUEL SPECIFICATIONS (DF972-E2).....	I-6
[5] LENGTH OF THE LPG VAPOR HOSE (DF972-E2)	I-6
[6] GAS REGULATOR (DG972-E2)	I-7
[7] KUBOTA RECOMMENDED FUEL SPECIFICATIONS (DG972-E2)	I-7
[8] LENGTH OF THE GAS HOSE (DG972-E2).....	I-7
4. PERFORMANCE CURVES	I-8
5. DIMENSIONS	I-10
6. WIRING DIAGRAM.....	I-14

1. SAFETY FIRST

SAFETY FIRST

- This symbol, the industry's "Safety Alert Symbol", is used throughout this manual and on labels on the machine itself to warn of the possibility of personal injury. Read these instructions carefully.
- It is essential that you read the instructions and safety regulations before you attempt to repair or use this unit.

DANGER

- Indicates an imminently hazardous situation which, if not avoided, will result in death or serious injury.

WARNING

- Indicates a potentially hazardous situation which, if not avoided, could result in death or serious injury.

CAUTION

- Indicates a potentially hazardous situation which, if not avoided, may result in minor or moderate injury.

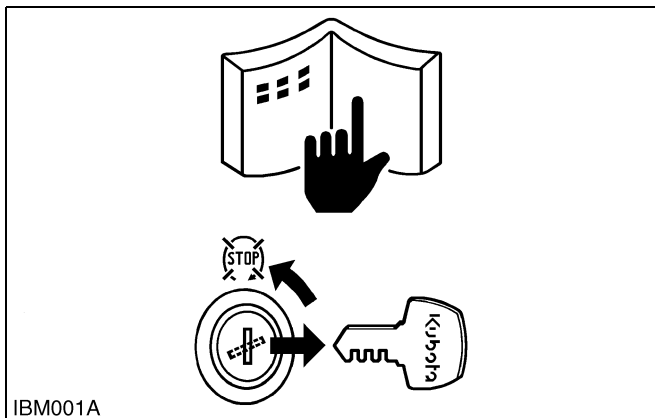
■ IMPORTANT

- Indicates that equipment or property damage could result if instructions are not followed.

■ NOTE

- Gives helpful information.

WSM000001INI0001US0



BEFORE YOU START SERVICE

- Read all instructions and safety instructions in this manual and on your engine safety decals.
- Clean the work area and engine.
- Park the machine on a stable and level ground.
- Let the temperature of the engine decrease before you start a job.
- Stop the engine, then remove the key.
- Disconnect the battery negative cable.
- Hang a "DO NOT OPERATE" tag in the operator station.

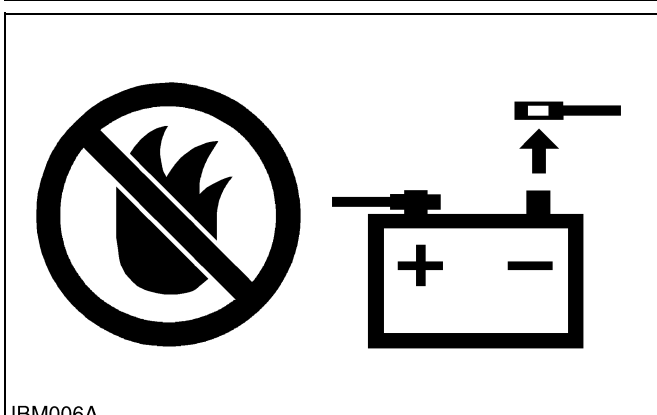
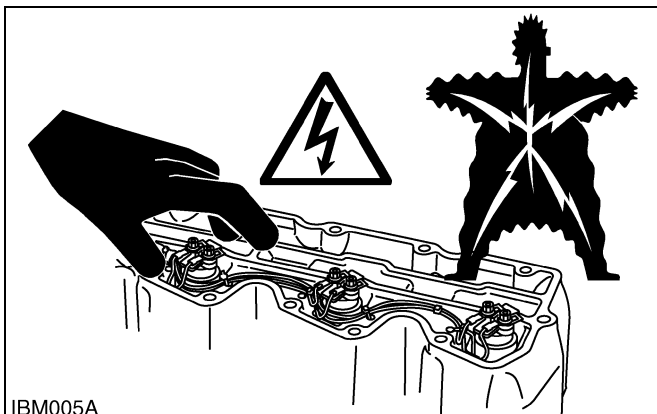
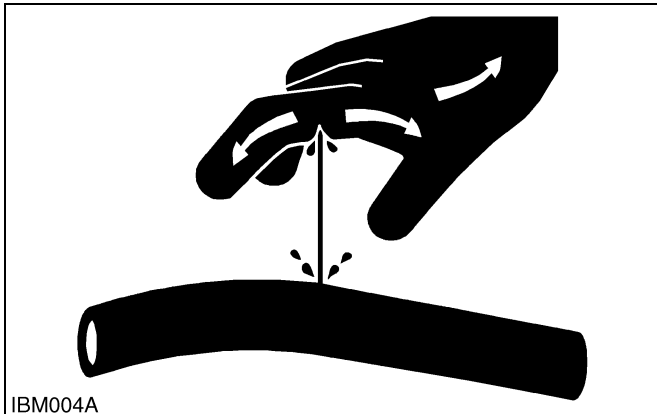
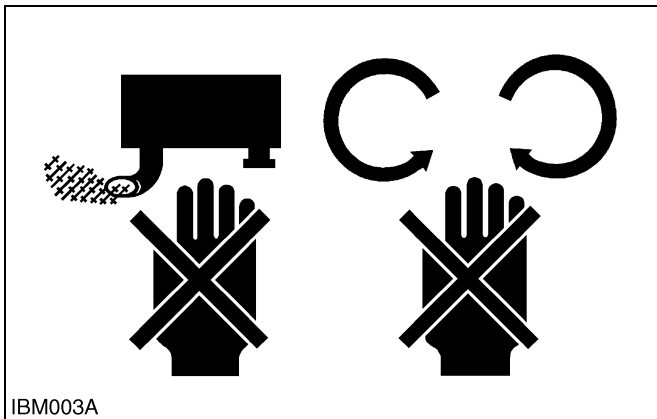
WSM000001INI0002US0



START SAFELY

- Do not do the procedures below when you start the engine.
 - short across starter terminals
 - bypass the safety start switch
- Do not make unauthorized modifications to the engine. This can cause damage and decrease the engine life.

WSM000001INI0003US0



OPERATE SAFELY

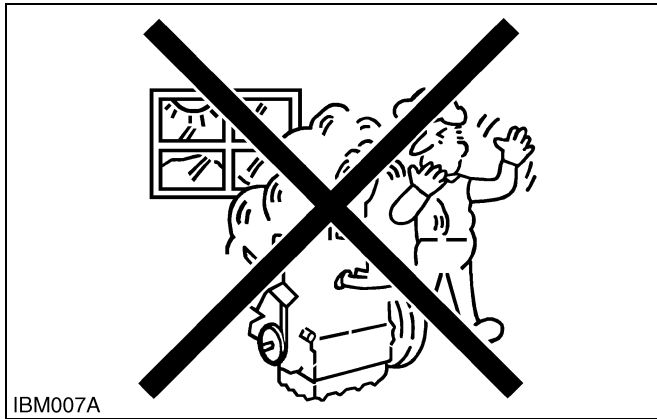
- Do not use the machine after you consume alcohol or medication or when you are tired.
- Put on applicable clothing and safety equipment.
- Use applicable tools only. Do not use alternative tools or parts.
- When 2 or more persons do servicing, make sure that you do it safely.
- Do not touch the hot parts or parts that turn when the engine operates.
- Do not remove the radiator cap when the engine operates, or immediately after it stops. If not, hot water can spout out from the radiator. Only remove the radiator cap when it is at a sufficiently low temperature to touch with bare hands. Slowly loosen the cap to release the pressure before you remove it fully.
- Released fluid (fuel or hydraulic oil) under pressure can cause damage to the skin and cause serious injury. Release the pressure before you disconnect hydraulic or fuel lines. Tighten all connections before you apply the pressure.
- Do not open a fuel system under high pressure. The fluid under high pressure that stays in fuel lines can cause serious injury. Do not disconnect or repair the fuel lines, sensors, or any other components between the fuel pump and injectors on engines with a common rail fuel system under high pressure.
- Put on an applicable ear protective device (earmuffs or earplugs) to prevent injury against loud noises.
- Be careful about electric shock. The engine generates a high voltage of more than DC100 V in the ECU and is applied to the injector.

WSM000001INI0004US0

PREVENT A FIRE

- Fuel is very flammable and explosive under some conditions. Do not smoke or let flames or sparks in your work area.
- To prevent sparks from an accidental short circuit, always disconnect the battery negative cable first and connect it last.
- The battery gas can cause an explosion. Keep the sparks and open flame away from the top of battery, especially when you charge the battery.
- Make sure that you do not spill fuel on the engine.

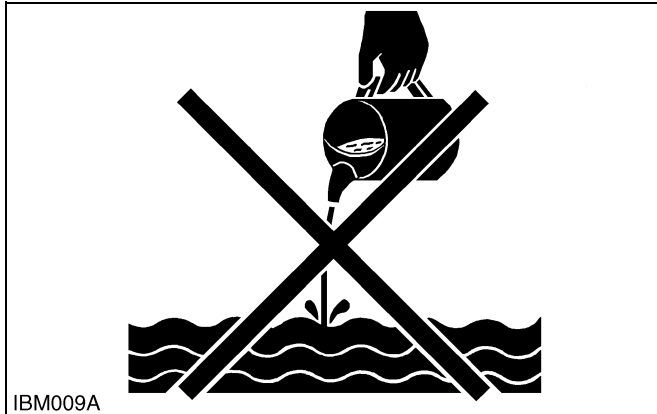
WSM000001INI0005US0



KEEP A GOOD AIRFLOW IN THE WORK AREA

- If the engine is in operation, make sure that the area has good airflow. Do not operate the engine in a closed area. The exhaust gas contains poisonous carbon monoxide.

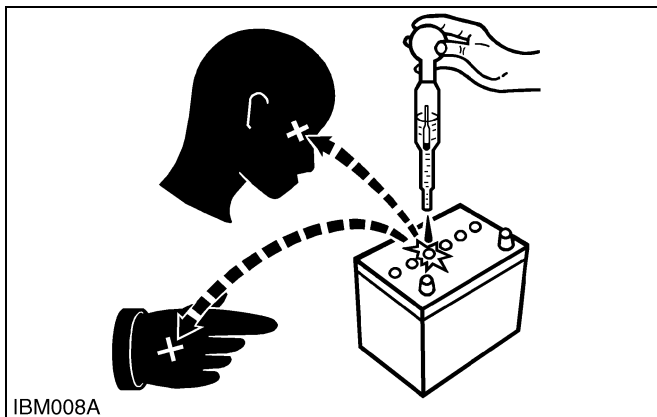
WSM000001INI0006US0



DISCARD FLUIDS CORRECTLY

- Do not discard fluids on the ground, down the drain, into a stream, pond, or lake. Obey related environmental protection regulations when you discard oil, fuel, coolant, electrolyte and other dangerous waste.

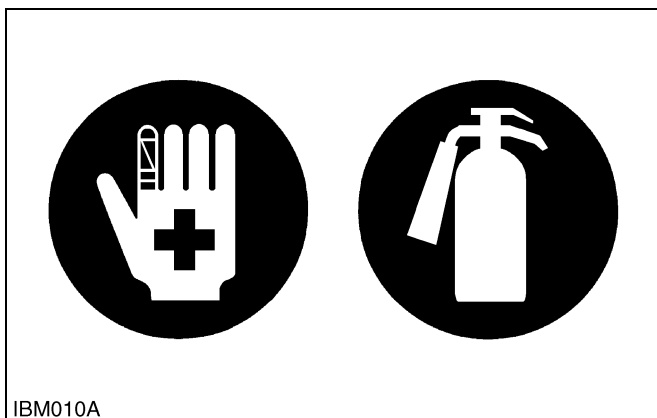
WSM000001INI0007US0



PREVENT ACID BURNS

- Keep electrolyte away from your eyes, hands and clothing. Sulfuric acid in battery electrolyte is poisonous and it can burn your skin and clothing and cause blindness. If you spill electrolyte on yourself, clean yourself with water, and get medical aid immediately.

WSM000001INI0008US0



PREPARE FOR EMERGENCIES

- Keep a first aid kit and fire extinguisher ready at all times.
- Keep the emergency contact telephone numbers near your telephone at all times.

WSM000001INI0009US0

2. SPECIFICATIONS

Model	WG972-E2	DF972-E2
Number of Cylinder	3	
Type	Vertical, water cooled, 4-cycle Gasoline engine	Vertical, water cooled, 4-cycle Dual Fuel (Gasoline / LPG) engine
		Gasoline fuel LPG fuel
Bore × Stroke	74.5 x 73.6 mm (2.93 x 2.90 in.)	
Total Displacement	962 cm ³ (58.7 cu.in.)	
ISO Net Continuous	18.6 kW / 3600 min ⁻¹ (rpm) 25.0 HP / 3600 min ⁻¹ (rpm)	17.5 kW / 3600 min ⁻¹ (rpm) 23.5 HP / 3600 min ⁻¹ (rpm)
ISO / SAE Net Intermittent	23.1 kW / 3600 min ⁻¹ (rpm) 31.0 HP / 3600 min ⁻¹ (rpm)	22.0 kW / 3600 min ⁻¹ (rpm) 29.5 HP / 3600 min ⁻¹ (rpm)
SAE Gross Intermittent	24.2 kW / 3600 min ⁻¹ (rpm) 32.5 HP / 3600 min ⁻¹ (rpm)	23.1 kW / 3600 min ⁻¹ (rpm) 31.0 HP / 3600 min ⁻¹ (rpm)
Maximum Bare Speed	3850 to 3950 min ⁻¹ (rpm)	
Minimum Bare Idling Speed	1400 to 1600 min ⁻¹ (rpm)	
Cylinder Head	Overhead-Valve	
Ignition System	Distributor-Less Solid Stage Type	
Governor	Centrifugal Ball Mechanical Type / Electronic Governor	
Direction of Rotation	Counter-Clockwise (Viewed from flywheel)	
Spark Plug	NGK BKR4E	
Ignition Timing	0.37 rad (21 °) before T.D.C. / 3600 min ⁻¹ (rpm)	
Firing Order	1-2-3	
Compression Ratio	9.2 : 1	
Lubricating System	Forced Lubrication by Trochoid Pump	
Oil Pressure Indication	Electrical Type Switch	
Lubricating Filter	Full Flow Paper Filter (Cartridge Type)	
Cooling System	Pressurized Radiator (not included in the basic model), Forced Circulation with Water Pump	
Starting System	Electric Starting with Starter	
Starting Motor	12V, 1.0 kW	
Battery	12 V, 52 AH or equivalent	
Charging Alternator	12 V, 150 W	
Fuel	*Unleaded Automobile Gasoline	Standard Commercial LP Gas
Lubricating Oil	Better than SH Class (API)	
Lubricating Oil Capacity	3.4 L (0.90 U.S.gals)	
Weight (Dry)	72.0 kg (159 lbf)	
Application	General Power Source	

*The specification described above is of the standard engine of each model.

*Conversion Formula : HP = 0.746 kW, PS = 0.7355 kW

Model	DG972-E2-BBH	DG972-E2-SAEH
Number of Cylinder	3	
Type	Vertical, water cooled, 4-cycle Natural Gas engine	
Bore × Stroke	74.5 x 73.6 mm (2.93 x 2.90 in.)	
Total Displacement	962 cm ³ (58.7 cu.in.)	
ISO Net Continuous	14.5 kW / 3600 min ⁻¹ (rpm) 19.4 HP / 3600 min ⁻¹ (rpm)	
ISO / SAE Net Intermittent	17.6 kW / 3600 min ⁻¹ (rpm) 23.6 HP / 3600 min ⁻¹ (rpm)	
SAE Gross Intermittent	18.7 kW / 3600 min ⁻¹ (rpm) 25.1 HP / 3600 min ⁻¹ (rpm)	
Maximum Bare Speed	3850 to 3950 min ⁻¹ (rpm)	
Minimum Bare Idling Speed	1400 to 1600 min ⁻¹ (rpm)	
Cylinder Head	Overhead-Valve	
Ignition System	Distributor-Less Solid Stage Type	
Governor	Centrifugal Ball Mechanical Type / Electronic Governor	
Direction of Rotation	Counter-Clockwise (Viewed from flywheel)	
Spark Plug	NGK BKR4E	
Ignition Timing	0.49 rad (28 °) before T.D.C. / 3600 min ⁻¹ (rpm)	
Firing Order	1-2-3	
Compression Ratio	9.2 : 1	
Lubricating System	Forced Lubrication by Trochoid Pump	
Oil Pressure Indication	Electrical Type Switch	
Lubricating Filter	Full Flow Paper Filter (Cartridge Type)	
Cooling System	Pressurized Radiator (not included in the basic model), Forced Circulation with Water Pump	
Starting System	Electric Starting with Starter	
Starting Motor	12V, 1.0 kW	
Battery	12 V, 52 AH or equivalent	
Charging Alternator	12 V, 480 W	
Fuel	Natural Gas	
Lubricating Oil	Better than SH Class (API)	
Lubricating Oil Capacity	3.4 L (0.90 U.S.gals)	
Weight (Dry)	72.0 kg (159 lbf)	95.4 kg (210 lbf)
Application	General Power Source	

*The specification described above is of the standard engine of each model.

*Conversion Formula : HP = 0.746 kW, PS = 0.7355 kW

9Y1210318INI0001US0

3. IMPORTANT ITEMS OF EXHAUST EMISSION REGULATION

To conform with U.S. EPA and CARB SOREs (Small Off Road Engines) emission regulations, the WG972-E2, DF972-E2 and DG972-E2 engine must observe below items.

9Y1210318INI0002US0

[1] INLET AND EXHAUST SYSTEM

The WG972-E2, DF972-E2 and DG972-E2 engine must use the below air cleaner and inlet pipe, and exhaust back pressure of the muffler must be within the below values.

Part	Part No.
Genuine air cleaner	1G657-1101-1
Genuine inlet pipe	EG561-1164-1

Brake horse power	SAE net int.	Allowable maximum exhaust back pressure
23.1 kP (31.0 HP) / 3600 min ⁻¹ (rpm)		19.6 kPa (147 mmHg) / 3600 min ⁻¹ (rpm)

Any modifications to the fuel system or any adjustments made on this engine will cause this engine to be in non-compliance with emission regulations.

9Y1210318INI0003US0

[2] ALTITUDE COMPENSATION KIT (WG972-E2, DF972-E2)

■ IMPORTANT

- Altitude compensation kit is applied for EPA and CARB certified engines only. EPA and CARB emission regulations require the ultimate user of non-road SI engine, as their obligation, to adjust the emissions by installing the appropriate genuine altitude compensation kit. And the engine manufacturer must provide such kit when engine is operated at an altitude that exceeds the standard level, as guaranteed by the engine manufacturer. For this purpose, KUBOTA prepared genuine altitude compensation kit described below. The ultimate users of SI engine must comply with the regulations through the installation of the appropriate altitude compensation kit for the altitude range where the engine will be operated.
- "Replacement of Altitude Compensation Kit" for reference to the exchange of altitude compensation kit.

Altitude Compensation Kit	Applicable Altitude Ranges
Original Carburetor (with 0 m (0 ft) kit)	0 to 700 m (0 to 2300 ft)
1000 m (3281 ft) compensation kit	300 to 1700 m (984 to 5577 ft)
2000 m (6562 ft) compensation kit	1300 to 2700 m (4265 to 8858 ft)

9Y1210318INI0004US0

[3] LPG REGULATOR WITH VAPORIZER (DF972-E2)

When operating DF972-E2 on LPG, only a KUBOTA GENUINE LPG REGULATOR KIT can be used.

9Y1210318INI0005US0

[4] KUBOTA RECOMMENDED LPG FUEL SPECIFICATIONS (DF972-E2)

- Commercial Propane gas only.
- Equivalent to Propane H-D-5 of GPA* standards.

C ₃ H ₈	C ₃ H ₆	C ₄ H ₁₀	Others
≥ 90 %	≤ 5 %	≤ 2.5 %	-

*GPA means Gas Processors Association (U.S.A.)

9Y1210318INI0006US0

[5] LENGTH OF THE LPG VAPOR HOSE (DF972-E2)

The length of the LPG vapor hose between the LPG carburetor and LPG vaporizer must be within 280 to 320 mm (11.1 to 12.5 in.)

The incorrect use of the hose may not conform to EPA and CARB EMISSION REGULATIONS.

9Y1210318INI0007US0

[6] GAS REGULATOR (DG972-E2)

When operating DG972-E2 on natural gas, only a KUBOTA GENUINE GAS REGURATOR can be used.

9Y1210318INI0008US0

[7] KUBOTA RECOMMENDED FUEL SPECIFICATIONS (DG972-E2)

- Natural gas only.
- Consult KUBOTA for further information of fuel used.

9Y1210318INI0009US0

[8] LENGTH OF THE GAS HOSE (DG972-E2)

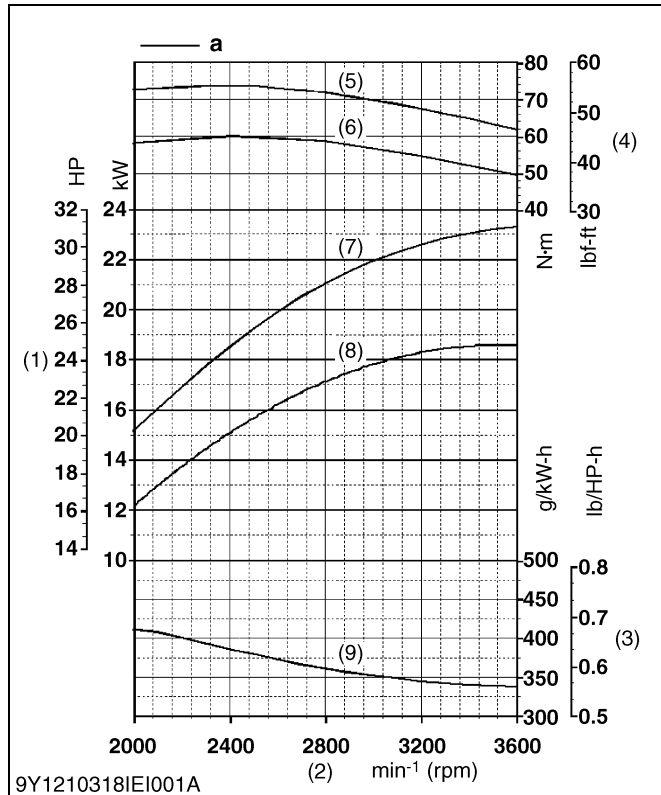
The length of the gas hose between the gas mixer and gas regulator must be within 280 to 320 mm (11.1 to 12.5 in.).

The incorrect use of the hose may not conform to EPA and CARB EMISSION REGULATIONS.

9Y1210318INI0010US0

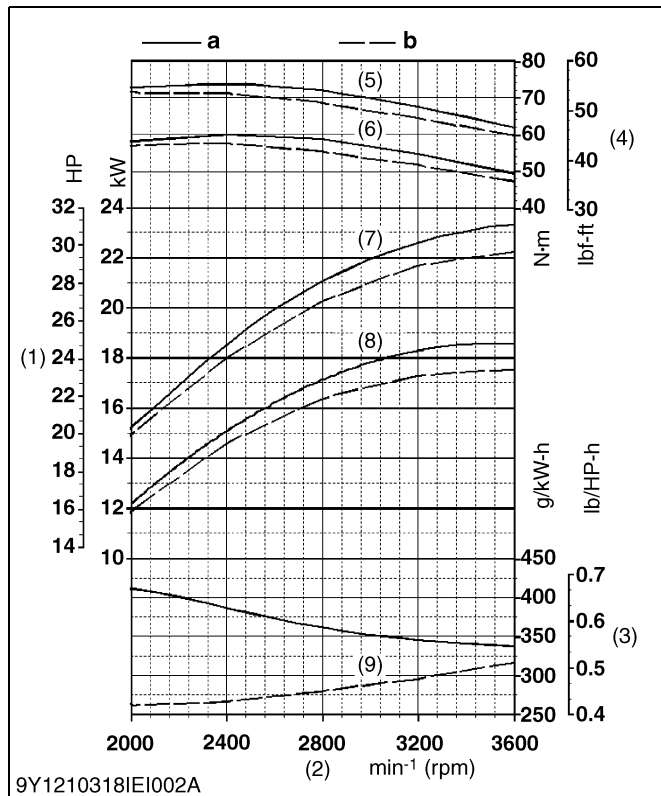
4. PERFORMANCE CURVES

WG972

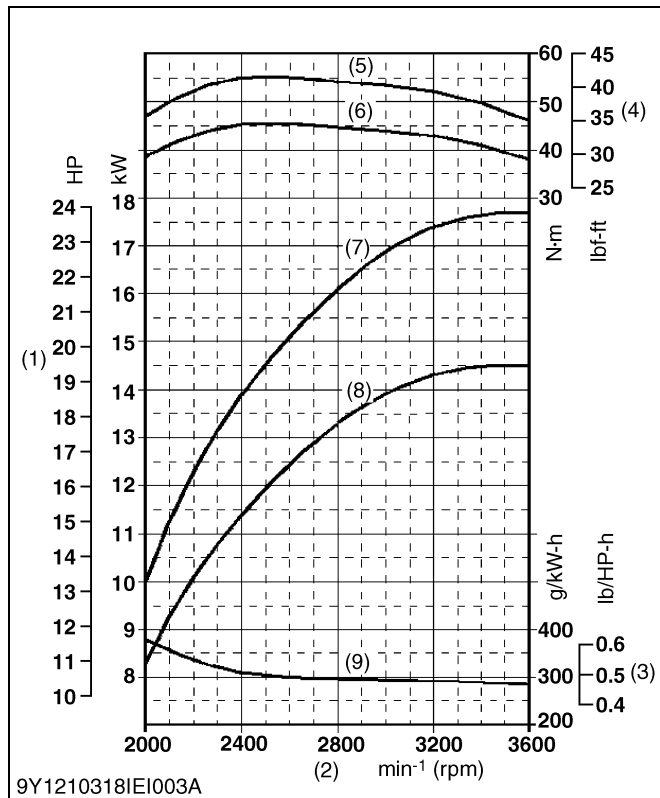


- (1) Brake Horsepower
 - (2) Engine Speed
 - (3) Specific Fuel Consumption
 - (4) Torque
 - (5) Net Intermittent Torque
 - (6) Net Continuous Torque
 - (7) Net Intermittent Brake Horsepower
 - (8) Net Continuous Brake Horsepower
 - (9) Net Intermittent Specific Fuel Consumption
- a : Gasoline Use**
b : LP Gas Use

DF972



DG972



- (1) Brake Horsepower
- (2) Engine Speed
- (3) Specific Fuel Consumption
- (4) Torque
- (5) Net Intermittent Torque
- (6) Net Continuous Torque
- (7) Net Intermittent Brake Horsepower
- (8) Net Continuous Brake Horsepower
- (9) Net Intermittent Specific Fuel Consumption

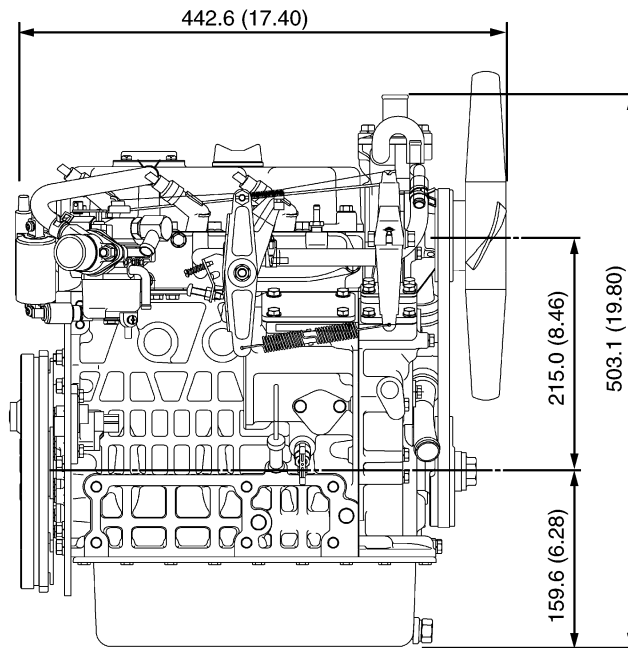
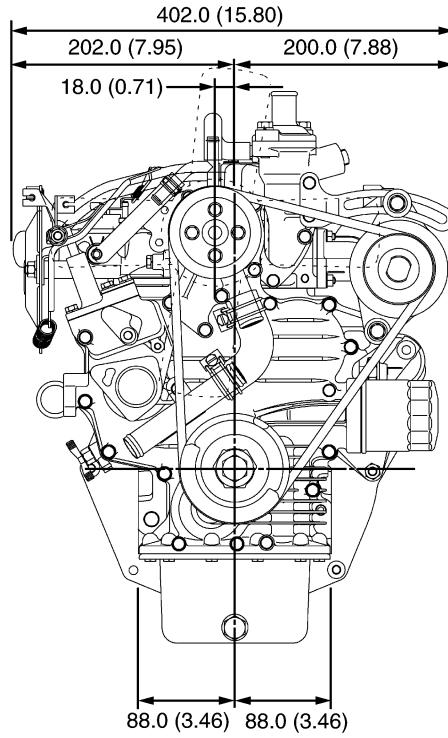
9Y1210318INI0011US0

9Y1210318IEI003A

5. DIMENSIONS

WG972, DF972

Unit : mm (in.)

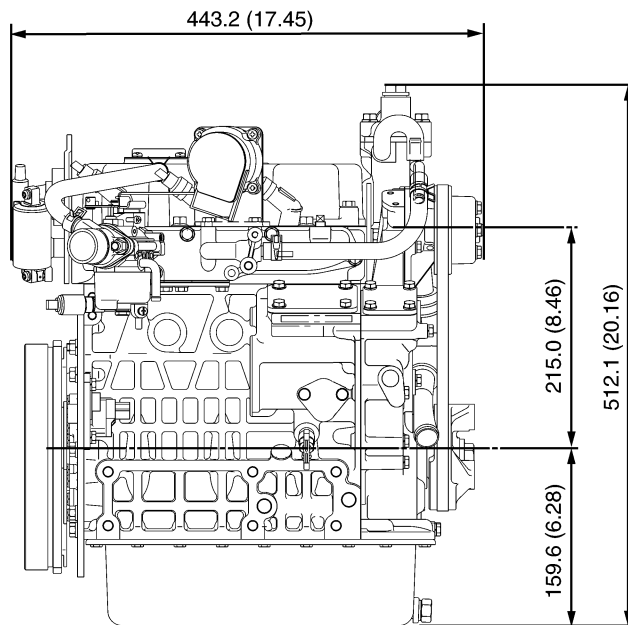
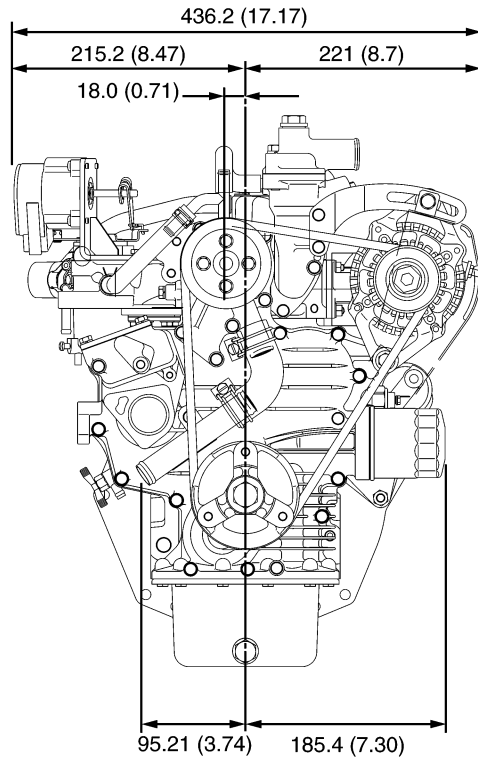


3EBAAABFP001A

9Y1210318INI0012US0

WG972, DF972 (Electronic Governor Model)

Unit : mm (in.)

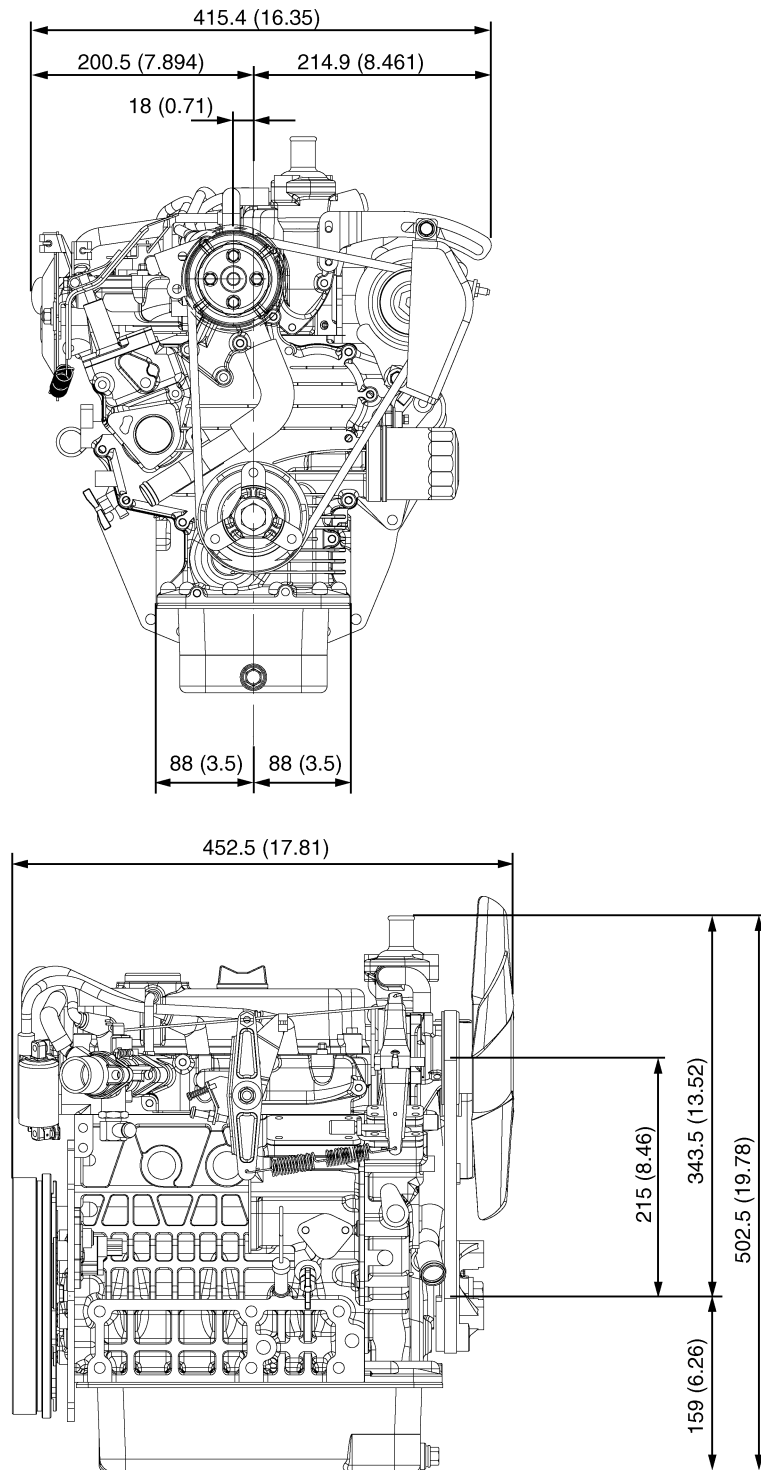


3EBAAABFP002A

9Y1210318INI0013US0

DG972-E2-BBH

Unit : mm (in.)

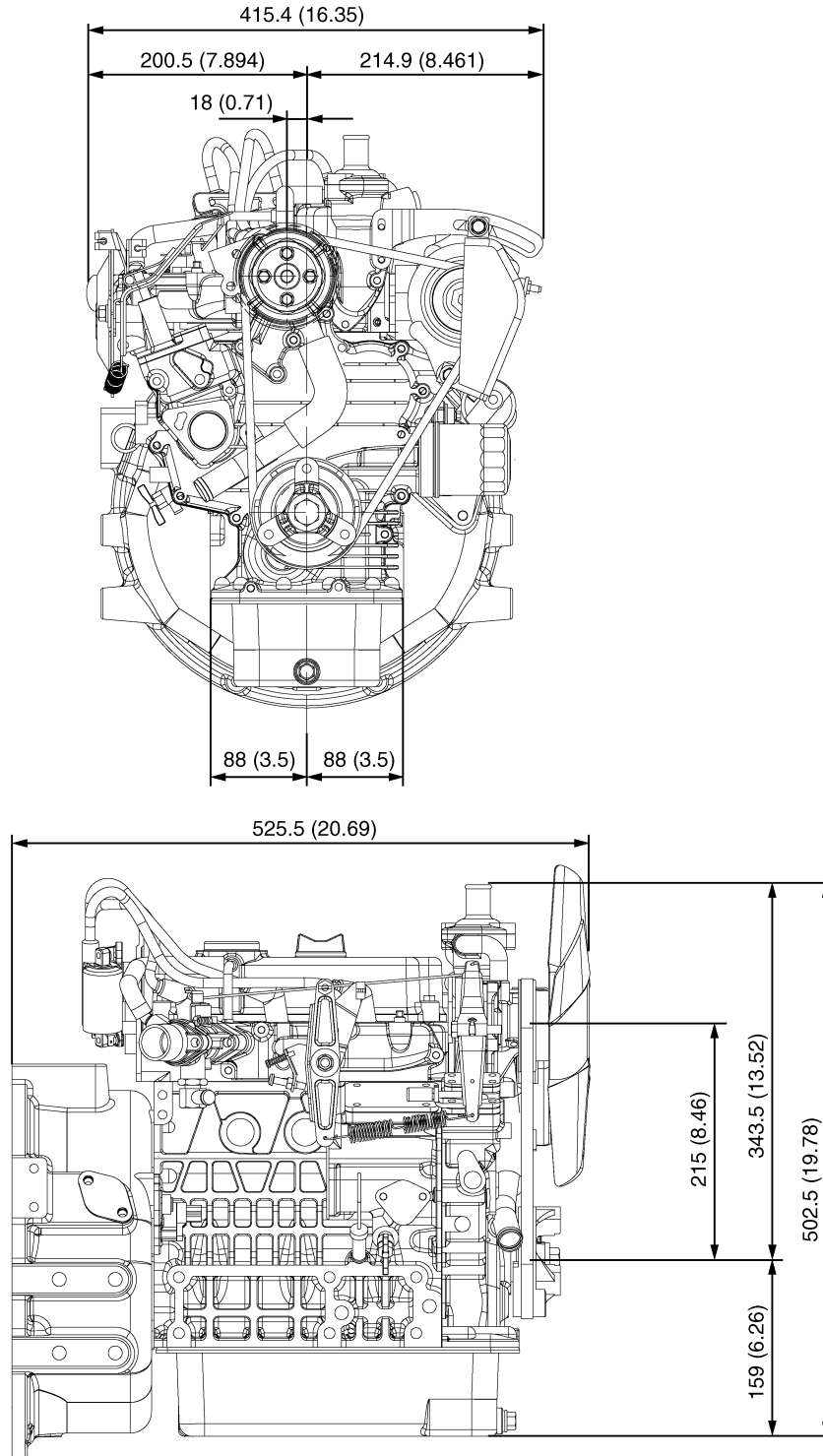


9Y1210318IF001A

9Y1210318INI0014US0

DG972-E2-SAEH

Unit : mm (in.)



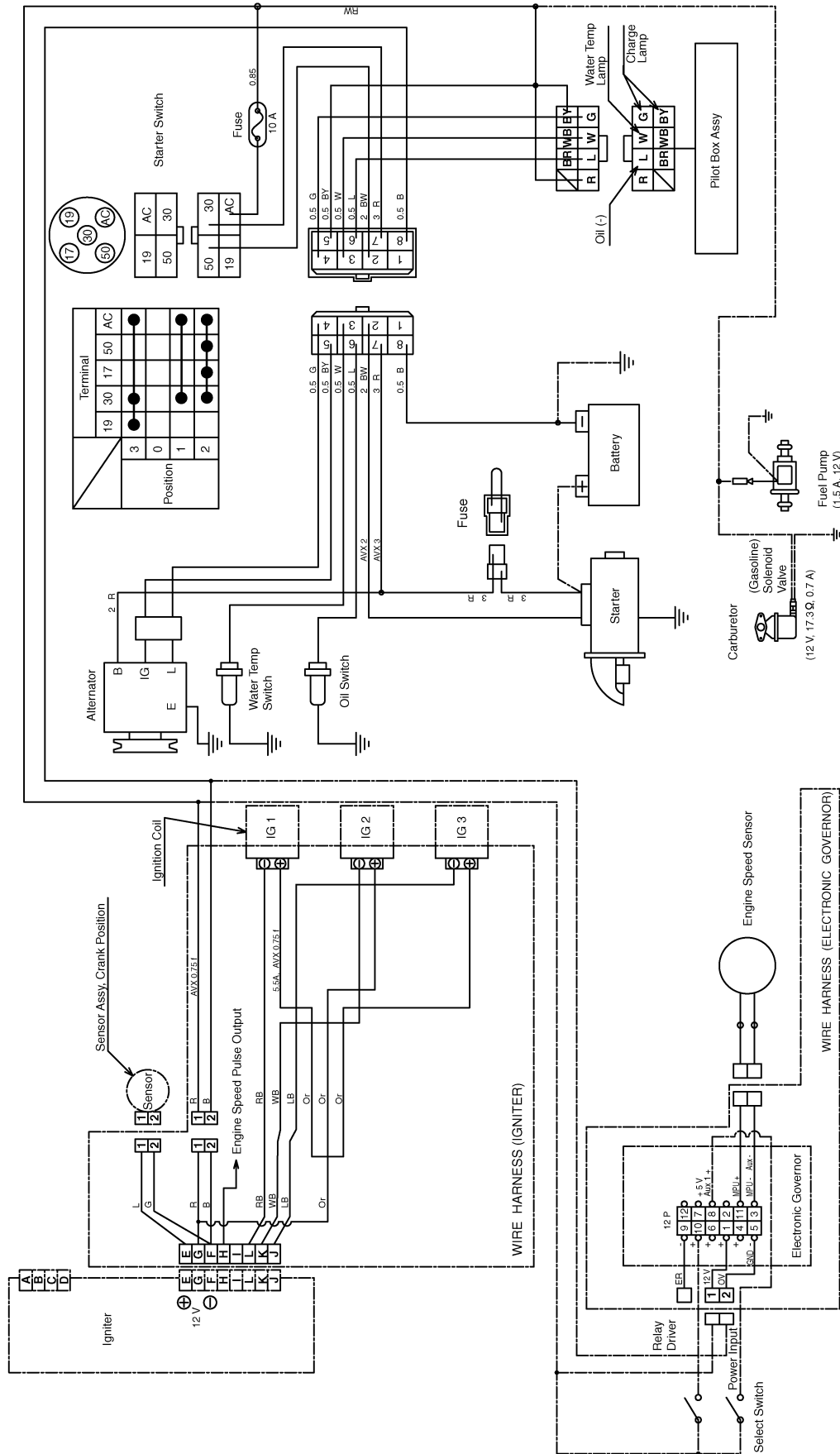
9Y1210318IFI002A

9Y1210318INI0015US0

6. WIRING DIAGRAM

Color of Wiring

B	Black	BY	Black / Yellow	GW	Green / White	LW	Blue / White	R	Red	Y	Yellow
BO	Black / Orange	BR	Black / Brown	Gr	Gray	Or	Orange	RB	Red / Black	YW	Yellow / White
BR	Black / Red	G	Green	L	Blue	PI	Pink	RW	Red / White		
BW	Black / White	GY	Green / Yellow	LB	Blue / Black	Pu	Purple	W	White		



9Y1210318IG001A

9Y1210318INI0016US0

G GENERAL

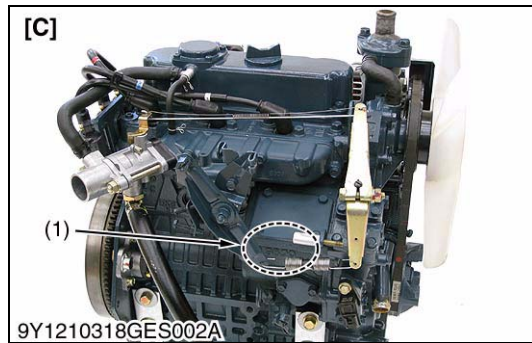
GENERAL

CONTENTS

1. ENGINE IDENTIFICATION	G-1
[1] MODEL NAME AND ENGINE SERIAL NUMBER.....	G-1
[2] CYLINDER NUMBER.....	G-4
2. GENERAL PRECAUTIONS.....	G-5
3. MAINTENANCE CHECK LIST	G-6
4. CHECK AND MAINTENANCE	G-8
[1] DAILY CHECK POINTS	G-8
[2] CHECK POINTS OF INTIAL 50 HOURS	G-10
[3] CHECK POINTS OF EVERY 50 HOURS	G-11
[4] CHECK POINTS OF EVERY 100 HOURS	G-13
[5] CHECK POINTS OF EVERY 200 HOURS	G-14
[6] CHECK POINTS OF EVERY 1 YEAR.....	G-15
[7] CHECK POINTS OF EVERY 1000 HOURS	G-18
[8] CHECK POINTS OF EVERY 2 YEARS	G-21
5. SPECIAL TOOLS	G-26

1. ENGINE IDENTIFICATION

[1] MODEL NAME AND ENGINE SERIAL NUMBER



When contacting the manufacture, always specify your engine model name and serial number.

The engine model and its serial number need to be identified before the engine can be serviced or parts replaced.

■ Engine Serial Number

The engine serial number is an identified number for the engine. It is marked after the engine model number.

It indicates month and year of manufacture as follows.

Year of manufacture

Alphabet or Number	Year	Alphabet or Number	Year
1	2001	F	2015
2	2002	G	2016
3	2003	H	2017
4	2004	J	2018
5	2005	K	2019
6	2006	L	2020
7	2007	M	2021
8	2008	N	2022
9	2009	P	2023
A	2010	R	2024
B	2011	S	2025
C	2012	T	2026
D	2013	V	2027
E	2014		

(1) Engine Model Name and Serial Number

[A] WG972-E2
 [B] DF972-E2
 [C] DG972-E2

(To be continued)

(Continued)

Month of manufacture

Month	Engine Lot Number	
January	A0001 ~ A9999	B0001 ~ BZ999
February	C0001 ~ C9999	D0001 ~ DZ999
March	E0001 ~ E9999	F0001 ~ FZ999
April	G0001 ~ G9999	H0001 ~ HZ999
May	J0001 ~ J9999	K0001 ~ KZ999
June	L0001 ~ L9999	M0001 ~ MZ999
July	N0001 ~ N9999	P0001 ~ PZ999
August	Q0001 ~ Q9999	R0001 ~ RZ999
September	S0001 ~ S9999	T0001 ~ TZ999
October	U0001 ~ U9999	V0001 ~ VZ999
November	W0001 ~ W9999	X0001 ~ XZ999
December	Y0001 ~ Y9999	Z0001 ~ ZZ999

* Alphabetical letters "I" and "O" are not used.

e.g.

- WG972 - ^(a)8 ^{(b)(c)}BA ^(d)001
- DF972 - ^(a)8 ^{(b)(c)}BA ^(d)001
- DG972 - ^(a)8 ^{(b)(c)}BA ^(d)001

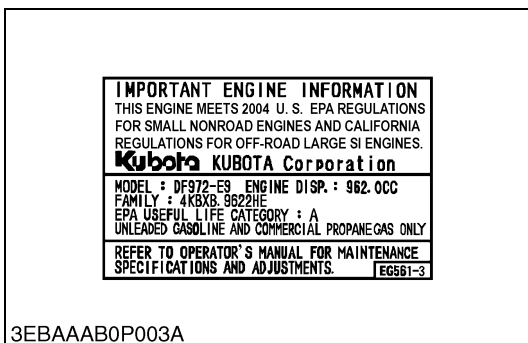
- (a) Engine Model Name : **WG972, DF972, DG972**
- (b) Year : **8** indicates **2008**
- (c) Month : **A** or **B** indicates **January**
- (d) Lot Number : (**0001 ~ 9999** or **A001 ~ Z999**)

9Y1210318GEG0003US0

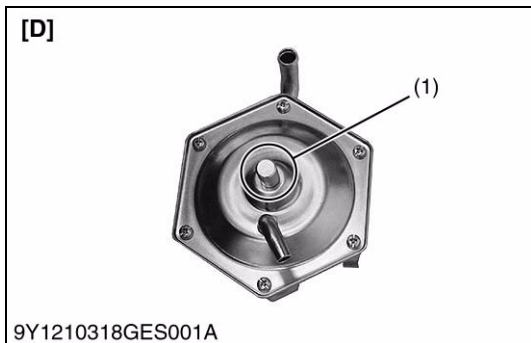
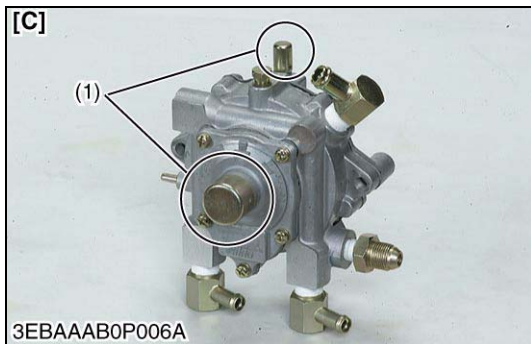
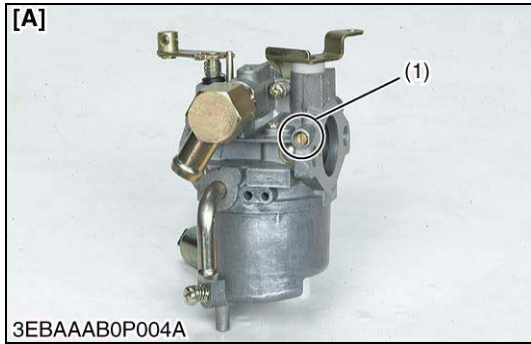
■ **Emission Label**

This label is attached on the cylinder head cover of the engine certified to the requirements of EPA / CARB Emission regulations. The content of the label is approved officially by EPA / CARB.

9Y1210318GEG0004US0



3EBAAAB0P003A



■ Tamper Resistance

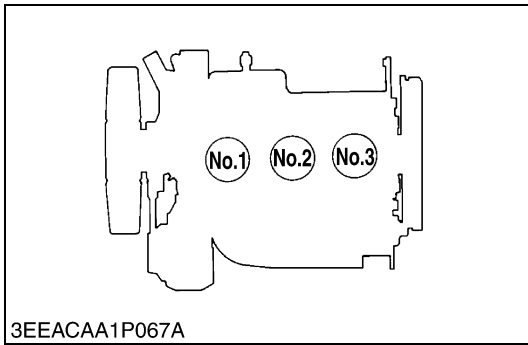
KUBOTA Corporation is to provide safeguards for the parts where never to be adjusted, and is approved by EPA / CARB for the purpose of this engine to be in compliance with EPA / CARB Emission Regulations through its useful life. Intentional removal and adjustment of such tamper resistance are subject to the penalty.

(1) Tamper Resistance

- [A] Carburetor
- [B] Pick-up Sensor
- [C] Vaporizer
- [D] Regulator
- [E] Governor Lever

9Y1210318GEG0005US0

[2] CYLINDER NUMBER

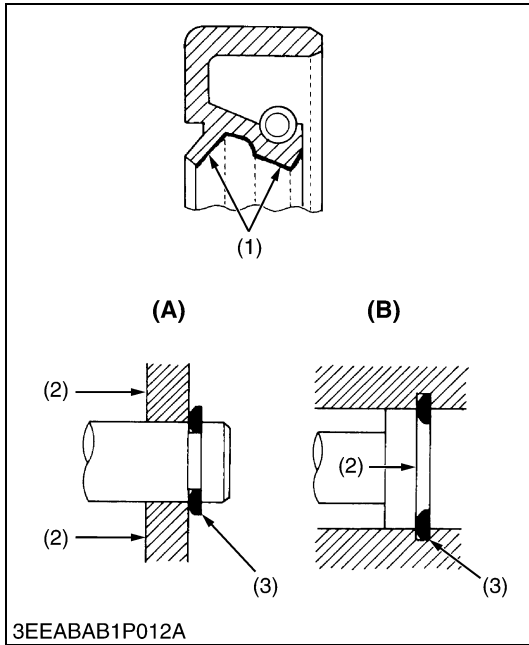


The cylinder numbers of KUBOTA gasoline, gasoline / LPG and natural gas engine are designated as shown in the figure.

The sequence of cylinder numbers is given as No.1, No.2 and No.3 starting from the gear case side.

9Y1210318GEG0006US0

2. GENERAL PRECAUTIONS



- During disassembly, carefully arrange removed parts in a clean area to prevent confusion later. Screws, bolts and nuts should be replaced in their original position to prevent reassembly errors.
- When special tools are required, use KUBOTA genuine special tools. Special tools which are not frequently used should be made according to the drawings provided.
- Before disassembling or servicing live wires, make sure to always disconnect the grounding cable from the battery first.
- Remove oil and dirt from parts before measuring.
- Use only KUBOTA genuine parts for parts replacement to maintain engine performance and to ensure safety.
- Gaskets and O-rings must be replaced during reassembly. Apply grease to new O-rings or oil seals before assembling.
- When reassembling external or internal snap rings, position them so that sharp edge faces against the direction from which a force is applied.
- Be sure to perform run-in the serviced or reassemble engine. Do not attempt to give heavy load at once, or serious damage may result to the engine.

- | | |
|---|-------------------------------|
| (1) Grease | (A) External Snap Ring |
| (2) Force | (B) Internal Snap Ring |
| (3) Place the Sharp Edge the Direction of Force | |

9Y1210318GEG0007US0

3. MAINTENANCE CHECK LIST

To maintain long-lasting and safe engine performance, make it a rule to carry out regular inspections by following the table below. (The schedule applies to an engine in use under normal conditions.)

[WG972-E2, DF972-E2]

Item	Service Interval						
	Daily	Every 50 hrs	Every 100 hrs	Every 200 hrs	Every 1 year	Every 1000 hrs	Every 2 years
Checking engine oil level	☆						
Checking and replenish coolant	☆						
Checking air cleaner element	☆						
Checking LPG tank setting condition	☆						
Checking LPG fuel connector	☆						
Cleaning air cleaner element		☆					
Checking gasoline fuel hose and clamp bands		☆					
Checking LPG fuel hose and clamp bands		☆					
LPG fuel check		☆					
Checking battery electrolyte level		☆					
Cleaning spark plug			☆				
Checking fuel filter			☆				
Check fan belt tension and damage			☆				
Changing engine oil		★		☆			
Replacing oil filter cartridge		★		☆			
Checking LPG tank setting condition				☆			
Checking radiator hoses and clamp bands				☆			
* Replacing air cleaner element					☆		
Replacing gasoline fuel hose, clamp bands and fuel filter					☆		
Cleaning fuel tank inside					☆		
Cleaning carburetor					☆		
Cleaning water jacket and radiator interior					☆		
Replacing spark plug						☆	
Checking coolant hose of LPG vaporizer						☆	
Checking vacuum lock hose of LPG vaporizer						☆	
Draining tar						☆	
Checking valve clearance						☆	
Cleaning cylinder head						☆	
Checking valve seats						☆	
Replacing intake air line							☆
Replacing LPG fuel hose and clamp bands							☆
Replacing coolant hose of LPG vaporizer							☆
Replacing vacuum lock hose of LPG vaporizer							☆
Checking primary chamber							☆
Checking air tight of secondary chamber							☆
Checking vacuum lock system							☆
Replacing radiator hoses and clamp bands							☆
Replacing battery							☆
Changing radiator coolant (L.L.C.)							☆

★ Change engine oil and replace oil filter cartridge after the first 50 hours of operation.

* Replace the element after 6 times cleaning.



CAUTION

- When changing or inspecting, be sure to level and stop the engine.

9Y1210318GEG0008US0

[DG972-E2]

Item	Service Interval						
	Daily	Every 50 hrs	Every 100 hrs	Every 200 hrs	Every 1 year	Every 1000 hrs	Every 2 years
Checking engine oil level	☆						
Checking and replenish coolant	☆						
Checking air cleaner element	☆						
Checking fuel line setting condition	☆						
Checking fuel connector	☆						
Cleaning air cleaner element		☆					
Checking fuel hose and clamp bands		☆					
Natural gas fuel check		☆					
Checking battery electrolyte level		☆					
Cleaning spark plug			☆				
Checking fuel filter			☆				
Check fan belt tension and damage			☆				
Changing engine oil		★		☆			
Replacing oil filter cartridge		★		☆			
Checking fuel line setting condition				☆			
Checking radiator hoses and clamp bands				☆			
* Replacing air cleaner element					☆		
Replacing fuel filter					☆		
Cleaning gas mixer					☆		
Cleaning water jacket and radiator interior					☆		
Replacing spark plug						☆	
Checking valve clearance						☆	
Cleaning cylinder head						☆	
Checking valve seats						☆	
Replacing intake air line							☆
Replacing fuel hose and clamp bands							☆
Replacing radiator hoses and clamp bands							☆
Replacing battery							☆
Changing radiator coolant (L.L.C.)							☆

★ Change engine oil and replace oil filter cartridge after the first 50 hours of operation.

* Replace the element after 6 times cleaning.



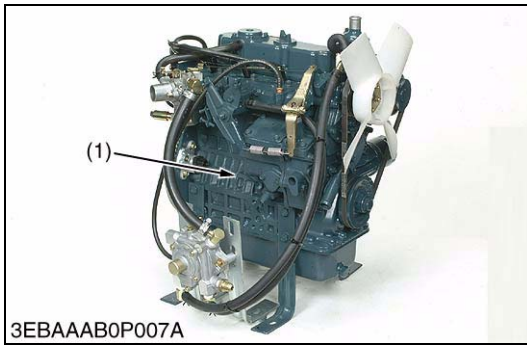
CAUTION

- When changing or inspecting, be sure to level and stop the engine.

9Y1210318GEG0009US0

4. CHECK AND MAINTENANCE

[1] DAILY CHECK POINTS



Checking Engine Oil Level

1. Level the engine.
2. To check the oil level, draw out the dipstick (1), wipe it clean, reinsert it, and draw it out again.
Check to see that the oil level lies between the two notches.
3. If the level is too low, add new oil to the specified level.

■ IMPORTANT

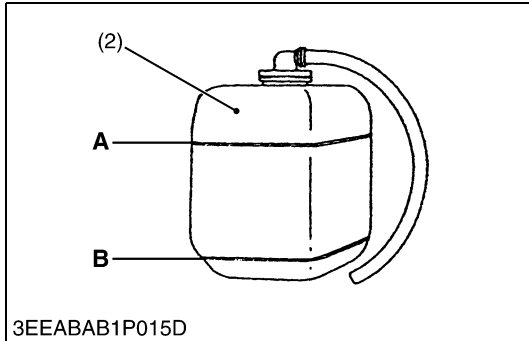
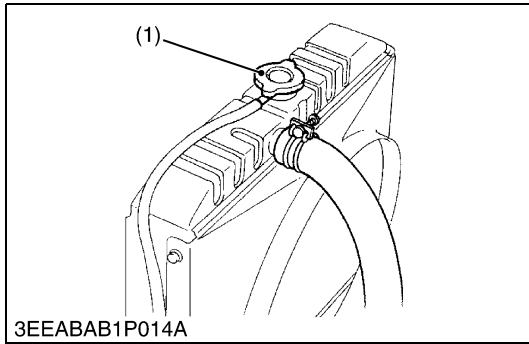
- When using an oil of different maker or viscosity from the previous one, drain old oil. Never mix two different types of oil.
- Use the proper SAE Engine oil according to ambient temperatures.

■ NOTE

- Be sure to inspect the engine, locating it on a horizontal place. If placed on gradients, accurately, oil quantity may not be measured.
- Be sure to keep the oil level between upper and lower limits of the dipstick. Too much oil may cause a drop in output or excessive blow-by gas. On the closed breather type engine in which mist is sucked through port, too much oil may caused oil hammer. While too little oil, may seize the engine's rotating and sliding parts.

(1) Dipstick

9Y1210318GEG0010US0



Checking and Replenish Coolant

1. Without recovery tank :
Remove the radiator cap (1) and check to see that the coolant level is just below the port.
With recovery tank (2) :
Check to see that the coolant level lies between **FULL "A"** and **LOW "B"**.
2. If coolant level is too low, check the reason for decreasing coolant.
(Case 1)
If coolant is decreasing by evaporation, replenish only fresh, soft water.
(Case 2)
If coolant is decreasing by leak, replenish coolant of the same manufacture and type in the specified mixture ratio (fresh, soft water and L.L.C.). If the coolant brand cannot be identified, drain out all of the remaining coolant and refill with a totally new brand of coolant mix.

⚠ CAUTION

- Do not remove the radiator cap until coolant temperature is below its boiling point. Then loosen the cap slightly to relieve any excess pressure before removing the cap completely.

■ IMPORTANT

- During filling the coolant, air must be vented from the engine coolant passages. The air vents by jiggling the radiator upper and lower hoses.
- Be sure to close the radiator cap securely. If the cap is loose or improperly closed, coolant may leak out and the engine could overheat.
- Do not use an antifreeze and scale inhibitor at the same time.
- Never mix the different type or brand of L.L.C..

- | | |
|-------------------|----------|
| (1) Radiator Cap | A : FULL |
| (2) Recovery Tank | B : LOW |

9Y1210318GEG0011US0

Checking Air Cleaner Element (If necessary)

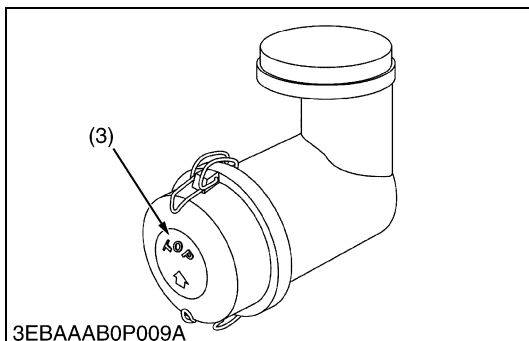
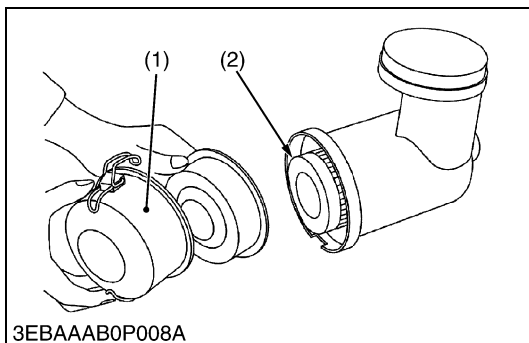
1. Remove the dust cup in the air cleaner.
2. Check the dust in the dust cup and the element.

(When reassembling)

- Install the air cleaner dust cup with **"TOP"** indicated on the rear of the cup.

- | | |
|--------------|----------------|
| (1) Dust Cap | (3) "TOP" Mark |
| (2) Element | |

9Y1210318GEG0012US0



Checking LPG Tank Setting Condition (If necessary) (DF972-E2)

1. Check the setting condition of LPG fuel tank.

9Y1210318GEG0013US0

Checking Fuel Line Setting Condition (If necessary) (DG972-E2)

1. Check the setting condition of fuel line.

9Y1210318GEG0014US0

Checking LPG Fuel Connector (DF972-E2)

1. Check the connector of LPG line (hoses and clamps).

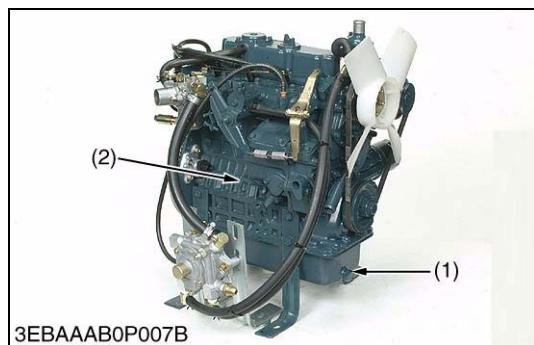
9Y1210318GEG0015US0

Checking Fuel Connector (DG972-E2)

1. Check the connector of fuel line (hoses and clamps).

9Y1210318GEG0016US0

[2] CHECK POINTS OF INTIAL 50 HOURS



Changing Engine Oil

⚠ CAUTION

- **Be sure to stop engine before changing engine oil.**
1. Start and warm up the engine for approx. 5 minutes.
 2. Place an oil pan underneath the engine.
 3. To drain the used oil, remove the drain plug (1) at the bottom of the engine and drain the oil completely.
 4. Screw the drain plug (1).
 5. Fill new oil up to upper line on the dipstick (2).

■ IMPORTANT

- **When using an oil of different maker or viscosity from the previous one, remove all of the old oil.**
- **Never mix two different types of oil.**
- **Engine oil should have properties of API classification SH.**
- **Use the proper SAE Engine Oil according to ambient temperature.**

Above 25 °C (77 °F)	SAE30 or SAE10W-30
0 °C to 25 °C (32 °F to 77 °F)	SAE20 or SAE10W-30
Below 0 °C (32 °F)	SAE10W or SAE10W-30

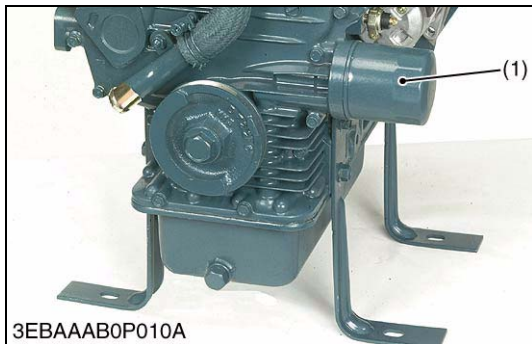
Engine oil capacity	3.4 L 0.90 U.S.gals
---------------------	------------------------

Tightening torque	Drain plug	33 to 37 N·m 3.3 to 3.8 kgf·m 24 to 27 lbf·ft
-------------------	------------	---

(1) Drain Plug

(2) Dipstick

9Y1210318GEG0017US0



Replacing Oil Filter Cartridge

⚠ CAUTION

- **Be sure to stop the engine before changing filter cartridge.**
1. Remove the oil filter cartridge (1) with the filter wrench.
 2. Apply a slight coat of oil onto the new cartridge gasket.
 3. To install the new cartridge, screw it in by hand. Over tightening may cause deformation of rubber gasket.
 4. After the new cartridge has been replaced, the engine oil normally decrease a little. Thus see that the engine oil does not leak through the seal and be sure to read the oil level on the dipstick. Then, replenish the engine oil up to the specified level.

■ IMPORTANT

- **To prevent serious damage to the engine, replacement element must be highly efficient. Use only a KUBOTA genuine filter or its equivalent.**

(1) Engine Oil Filter Cartridge

9Y1210318GEG0018US0

[3] CHECK POINTS OF EVERY 50 HOURS



Cleaning Air Cleaner Element

1. To clean the element, use clean dry compressed air on the inside of the element.
Air pressure at the nozzle must be under 210 kPa (2.1 kgf/cm², 30 psi).
2. If the element is stained with carbon or oil, replace the element.

■ IMPORTANT

- **Make sure the wing bolt for the element is tight enough. If it is loose, dust and dirt may be sucked, wearing down the cylinder liner and piston ring earlier and thereby resulting in poor power output.**
- **Do not overservice the air cleaner element.**

■ NOTE

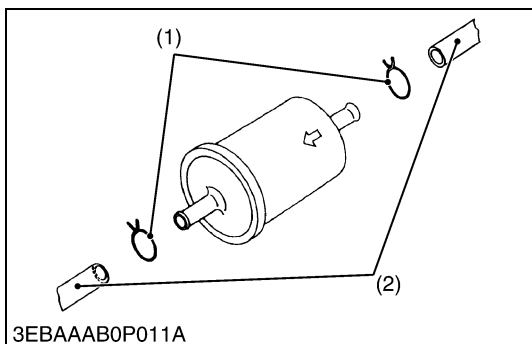
- **Replace the element once a year or every 6th cleaning.**

9Y1210318GEG0019US0

⚠ CAUTION

- **Stop the engine when attempting the check and replace prescribed below.**
- **Remember to check the fuel line periodically. The fuel line is subject to wear and aging, fuel may leak out onto the running engine, causing a fire.**

9Y1210318GEG0020US0



Checking Gasoline Fuel Hose and Clamp Bands (WG972-E2, DF972-E2)

Check the fuel hoses every 50 hours of operation.

1. Since the fuel hose (2) is made of rubber, it ages regardless of the period of service.
Replace the fuel hose together with the clamp every two years.
2. However, if the fuel hose and clamp are found to be damaged or deteriorate earlier than two years, then replace or remedy.
3. After the fuel hose and the clamp have been replaced, bleed the fuel system.

(1) Clamp

(2) Fuel Hose

9Y1210318GEG0021US0

Checking LPG Fuel Hose and Clamp Bands (DF972-E2)**■ IMPORTANT**

- Never test for gas leaks with a FLAME.

■ NOTE

- Check for fuel leakage with soapy water or gas-detector, if leakage is found, correct leakage or replace the hose.

9Y1210318GEG0022US0

Checking Fuel Hose and Clamp Bands (DG972-E2)**■ IMPORTANT**

- Never test for gas leaks with a FLAME.

■ NOTE

- Check for fuel leakage with soapy water or gas-detector, if leakage is found, correct leakage or replace the hose.

9Y1210318GEG0023US0

LPG Fuel Check

1. Open the shut off solenoid valve on the tank.
2. Check for
 - a) Fuel tank to filter
 - b) Filter to shut off solenoid valve
 - c) Shut off solenoid valve to vaporizer

9Y1210318GEG0024US0

Natural Gas Fuel Check

1. Open the shut off solenoid valve on the tank.
2. Check for
 - a) Fuel source to filter
 - b) Filter to shut off solenoid valve
 - c) Shut off solenoid valve to regulator

9Y1210318GEG0025US0

Checking Battery Electrolyte Level

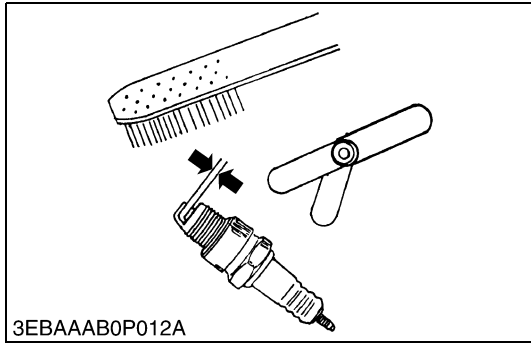
1. Check the battery electrolyte level.
2. If the level is below than lower level line, add the distilled water to pour level of each cell.

**CAUTION**

- Never remove the vent plugs while the engine is running.
- Keep electrolyte away from eyes, hands and clothes. If you are spattered with it, wash it away completely with water immediately and get medical attention.
- Wear eye protection and rubber gloves when working around battery.

9Y1210318GEG0026US0

[4] CHECK POINTS OF EVERY 100 HOURS



Cleaning Spark Plug Gap

1. Remove the spark plug, and remove carbon from the electrode with a wire brush or other tools.
2. Measure the spark plug gap with a feeler gauge, and repair or replace the plug if the measured gap differs from the factory specification.
3. Replace the plug if the electrode or the insulator is deformed or cracked.
4. Tighten the plug with a plug wrench.

Spark plug gap	Factory spec.	0.60 to 0.70 mm 0.024 to 0.027 in.
----------------	---------------	---------------------------------------

Spark plug	NGK BKR4E
------------	-----------

Tightening torque	Spark plug	20 to 24 N·m 2.0 to 2.5 kgf·m 15 to 18 lbf·ft
-------------------	------------	---

9Y1210318GEG0027US0

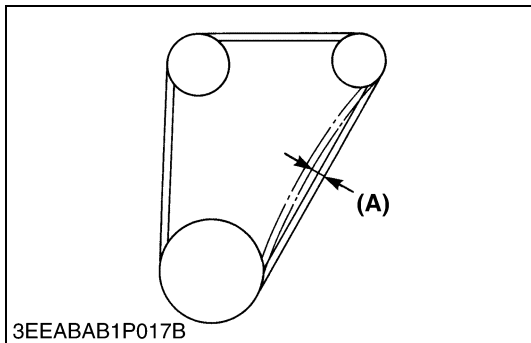
Checking Fuel Filter

1. Check the fuel filter.
2. If the fuel filter is dirty, clean it or replace it.

CAUTION

- Stop the engine when attempting to check and clean the fuel filter.
- Gasoline fuel is extremely flammable, so avoid fires.

9Y1210318GEG0028US0



Fan Belt Tension

1. Measure the deflection (A), depressing the belt halfway between the fan drive pulley and alternator pulley at specified force 98 N (10 kgf, 22 lbf).
2. If the measurement is not within the factory specifications, loosen the alternator mounting screws and relocate the alternator to adjust.

Deflection (A)	Factory spec.	7.0 to 9.0 mm 0.28 to 0.35 in.
----------------	---------------	-----------------------------------

(A) Deflection

9Y1210318GEG0001US0



3EEABAB1P019A

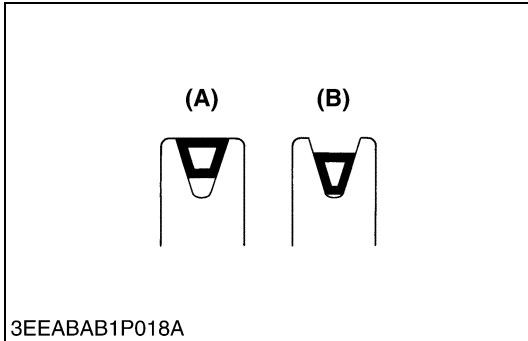
Fan Belt Damage and Wear

1. Check the fan belt for damage.
2. If the fan belt is damaged, replace it.
3. Check if the fan belt is worn and sunk in the pulley groove.
4. If the fan belt is nearly worn out and deeply sunk in the pulley groove, replace it.

(A) Good

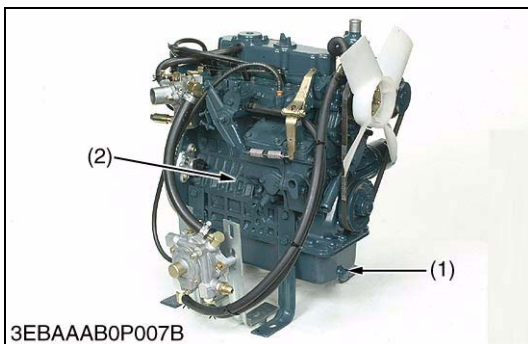
(B) Bad

9Y1210318GEG0002US0



3EEABAB1P018A

[5] CHECK POINTS OF EVERY 200 HOURS



3EBAAAB0P007B

Changing Engine Oil

CAUTION

- Be sure to stop engine before changing engine oil.

1. Start and warm up the engine for approx. 5 minutes.
2. Place an oil pan underneath the engine.
3. To drain the used oil, remove the drain plug (1) at the bottom of the engine and drain the oil completely.
4. Screw the drain plug (1).
5. Fill new oil up to upper line on the dipstick (2).

IMPORTANT

- When using an oil of different maker or viscosity from the previous one, remove all of the old oil.
- Never mix two different types of oil.
- Engine oil should have properties of API classification SH.
- Use the proper SAE Engine Oil according to ambient temperature.

Above 25 °C (77 °F)	SAE30 or SAE10W-30
0 °C to 25 °C (32 °F to 77 °F)	SAE20 or SAE10W-30
Below 0 °C (32 °F)	SAE10W or SAE10W-30

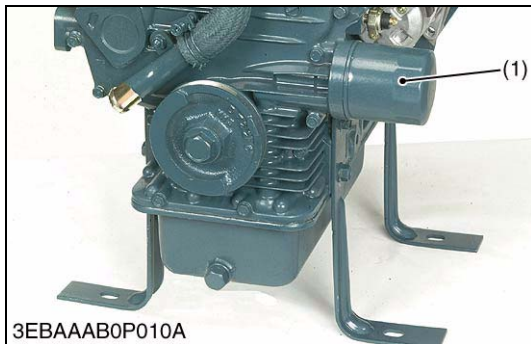
Engine oil capacity	3.4 L 0.90 U.S.gals
---------------------	------------------------

Tightening torque	Drain plug	33 to 37 N·m 3.3 to 3.8 kgf·m 24 to 27 lbf·ft
-------------------	------------	---

(1) Drain Plug

(2) Dipstick

9Y1210318GEG0029US0



Replacing Engine Oil Filter Cartridge

CAUTION

- **Be sure to stop the engine before changing filter cartridge.**
1. Remove the oil filter cartridge (1) with the filter wrench.
 2. Apply a slight coat of oil onto the new cartridge gasket.
 3. To install the new cartridge, screw it in by hand. Over tightening may cause deformation of rubber gasket.
 4. After the new cartridge has been replaced, the engine oil normally decrease a little. Thus see that the engine oil does not leak through the seal and be sure to read the oil level on the dipstick. Then, replenish the engine oil up to the specified level.

IMPORTANT

- **To prevent serious damage to the engine, replacement element must be highly efficient. Use only a KUBOTA genuine filter or its equivalent.**

(1) Engine Oil Filter Cartridge

9Y1210318GEG0030US0

Checking LPG Tank Setting Condition (DF972-E2)

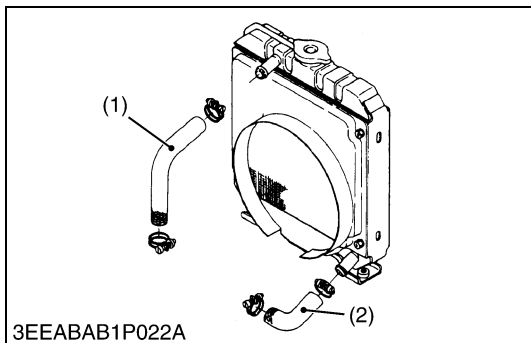
1. Check the setting condition of LPG fuel tank.

9Y1210318GEG0031US0

Checking Fuel Line Setting Condition (DG972-E2)

1. Check the setting condition of fuel line.

9Y1210318GEG0032US0



Checking Radiator Hoses and Clamp Bands

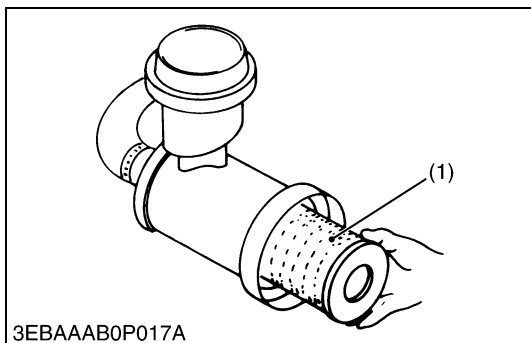
1. Check to see if the radiator hoses are properly fixed every 200 hours of operation or every six months, whichever comes first.
2. If the clamp is loose, apply oil to the threads and retighten it securely.
3. The coolant hose is made of rubber and tends to age. It must be replaced every two years. Also replace the clamp and tighten it securely.

(1) Upper Hose

(2) Lower Hose

9Y1210318GEG0033US0

[6] CHECK POINTS OF EVERY 1 YEAR

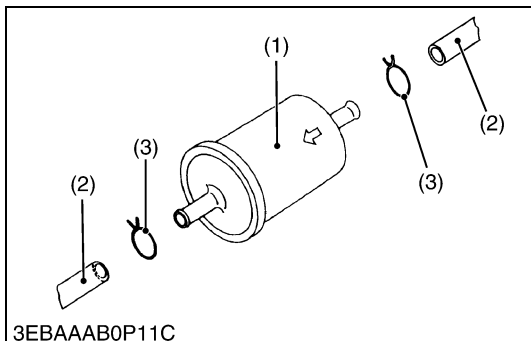


Replacing Air Cleaner Element

1. Remove the dust cup from the air cleaner.
2. After cleaning the dust cup, remove the air cleaner element.
3. Replace the new air cleaner element.

(1) Air Cleaner Element

9Y1210318GEG0034US0



Replacing Gasoline Fuel Hose, Clamp Bands and Fuel Filter (WG972-E2, DF972-E2)

1. Close the fuel tank cock.
2. Replace the fuel filter (1) with a new one.
3. Replace the hose (2) and clamp (3).

(1) Fuel Filter

(3) Clamp

(2) Fuel Hose

9Y1210318GEG0035US0

Replacing Fuel Filter (DG972-E2)

1. Close the fuel line.
2. Replace the fuel filter with a new one.

9Y1210318GEG0036US0

Cleaning Fuel Tank Inside (for Gasoline Fuel)

1. Following the unit / machine's operators manual, drain the gasoline fuel in the fuel tank.
2. Clean the fuel tank inside.

9Y1210318GEG0037US0

Cleaning Carburetor (WG972-E2, DF972-E2)

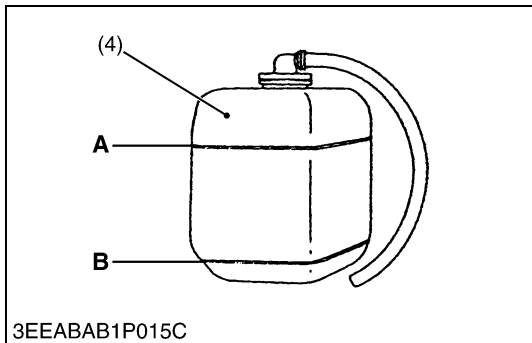
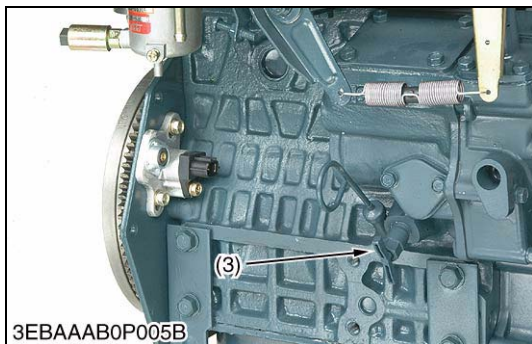
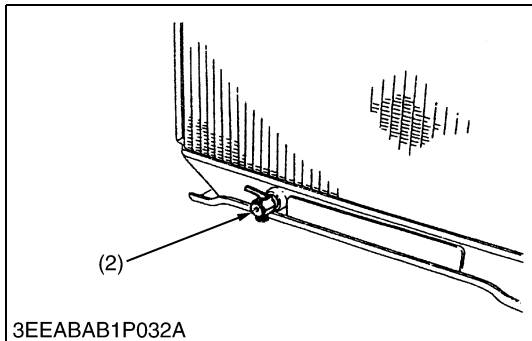
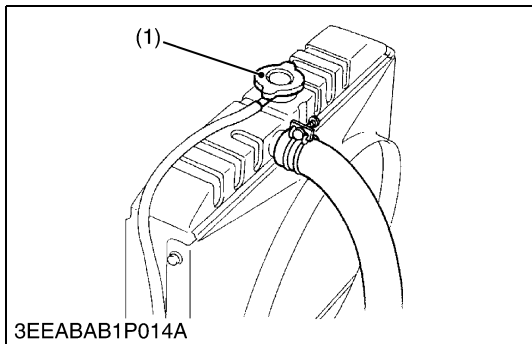
1. Clean and check for leakage.
2. Check throttle plate for dirt.

9Y1210318GEG0038US0

Cleaning Gas Mixer (DG972-E2)

1. Clean and check for leakage.
2. Check throttle plate for dirt.

9Y1210318GEG0039US0



Cleaning Water Jacket and Radiator Interior

⚠ CAUTION

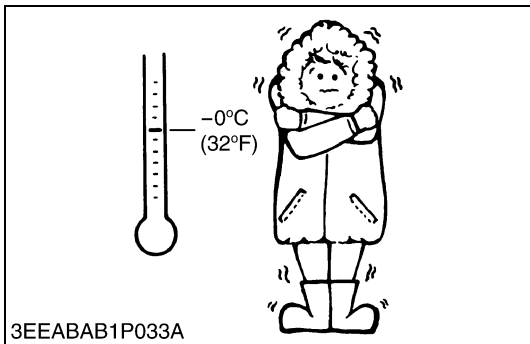
- **Do not remove the radiator cap when the engine is hot. Then loosen cap slightly to the stop to relieve any excess pressure before removing cap completely.**
1. Stop the engine and let cool down.
 2. To drain the coolant, open the radiator drain plug (2) and remove the radiator cap (1). Then radiator cap (1) must be removed to completely drain the coolant. And open the drain cock (3) of engine body.
 3. After all coolant is drained, close the drain plug.
 4. Fill with clean water and cooling system cleaner.
 5. Follow directions of the cleaner instruction.
 6. After flushing, fill with clean water and anti-freeze until the coolant level is just below the port. Install the radiator cap (1) securely.
 7. Fill with coolant up to **FULL "A"** mark on the recovery tank (4).
 8. Start and operate the engine for few minutes.
 9. Stop the engine and let cool. Check coolant level of recovery tank (4) and add coolant if necessary.

■ IMPORTANT

- **Do not start engine without coolant.**
- **Use clean, fresh, soft water and anti-freeze to fill the radiator and recovery tank.**
- **When the anti-freeze is mixed with fresh, soft water, the anti-freeze mixing ratio must be less than 50 %.**
- **Securely tighten radiator cap. If the cap is loose or improperly fitted, water may leak out and the engine could overheat.**

- | | |
|-------------------|-----------------|
| (1) Radiator Cap | A : FULL |
| (2) Drain Plug | B : LOW |
| (3) Drain Cock | |
| (4) Recovery Tank | |

9Y1210318GEG0040US0



Anti-Freeze

- There are two types of anti-freeze available: use the permanent type (PT) for this engine.
- Before adding anti-freeze for the first time, clean the radiator interior by pouring fresh, soft water and draining it a few times.
- The procedure for mixing water and anti-freeze differs according to the make of the anti-freeze and the ambient temperature. Basically, it should be referred to SAE J1034 standard, more specifically also to SAE J814c.
- Mix the anti-freeze with fresh, soft water, and then fill into the radiator.

■ **IMPORTANT**

- **When the anti-freeze is mixed with fresh, soft water, the anti-freeze mixing ratio must be less than 50 %.**

Vol % anti-freeze	Freezing point		Boiling point*	
	°C	°F	°C	°F
40	-24	-11	106	223
50	-37	-35	108	226

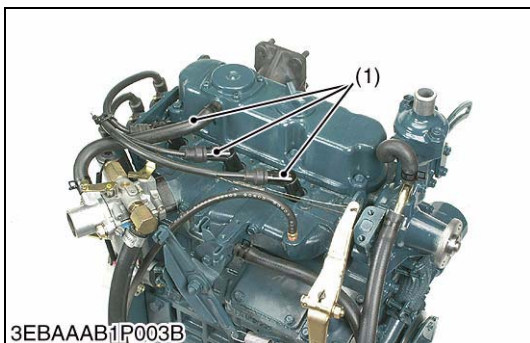
* At 1.01 × 100000 Pa (760 mmHg) pressure (atmospheric). A higher boiling point is obtained by using a radiator pressure cap which permits the development of pressure within the cooling system.

■ **NOTE**

- **The above data represents industrial standards that necessitate a minimum glycol content in the concentrated anti-freeze.**
- **When the coolant level drops due to evaporation, add fresh, soft water only to keep the anti-freeze mixing ratio less than 50 %. In case of leakage, add anti-freeze and fresh, soft water in the specified mixing ratio.**
- **Anti-freeze absorbs moisture. Keep unused anti-freeze in a tightly sealed container.**
- **Do not use radiator cleaning agents when anti-freeze has been added to the coolant.**
(Anti-freeze contains an anti-corrosive agent, which will react with the radiator cleaning agent forming sludge which will affect the engine parts.)

9Y1210318GEG0041US0

[7] CHECK POINTS OF EVERY 1000 HOURS



Replacing Spark Plug

1. Disconnect the spark plug cap (1).
2. Remove the spark plug.
3. Replace the new spark plug.

Tightening torque	Spark plug	20 to 24 N·m 2.0 to 2.5 kgf·m 15 to 18 lbf·ft
-------------------	------------	---

(1) Spark Plug Cap

9Y1210318GEG0042US0

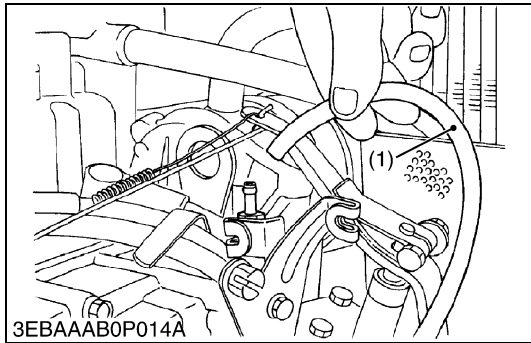


Checking Coolant Hose of LPG Vaporizer (DF972-E2)

1. Check the coolant hoses (1) for damage.
2. If the coolant hose is damaged, replace it.

- (1) Coolant Hoses to Vaporizer

9Y1210318GEG0043US0

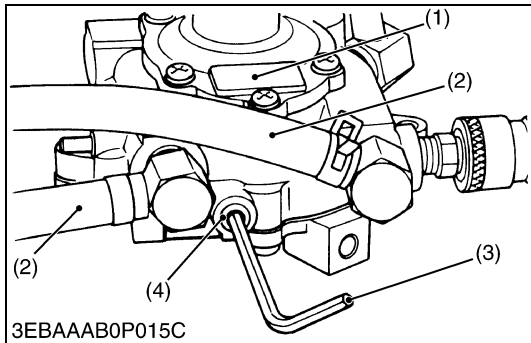


Checking Vacuum Lock Hose of LPG Vaporizer (DF972-E2)

1. Check the vacuum lock hose (1) for damage.
2. If the hose is damaged, replace it.

- (1) Vacuum Lock Hoses

9Y1210318GEG0044US0



Draining Tar (Vaporizer for DF972-E2)

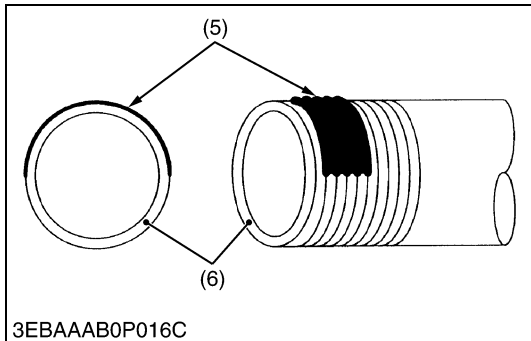
1. Run the engine until it is warmed up.
2. The shut off solenoid valve is shut and the engine is stopped naturally.
3. Place an oil pan underneath the drain port.
4. Remove the drain plug (4), and drain tar.
5. Tighten the plug.

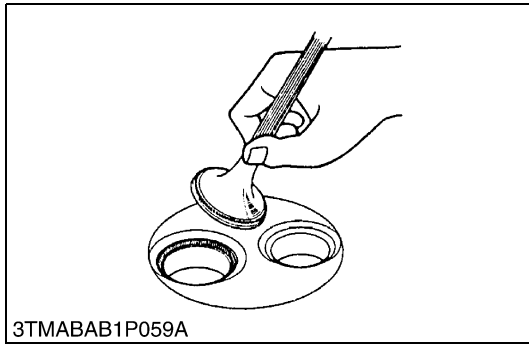
NOTE

- Apply a liquid gasket (Three Bond 1104 or equivalent) to the thread of the plug.

- | | |
|------------------|-------------------|
| (1) Vaporizer | (4) Drain Plug |
| (2) Coolant Hose | (5) Liquid Gasket |
| (3) Wrench | (6) Joint |

9Y1210318GEG0045US0





3TMABAB1P059A

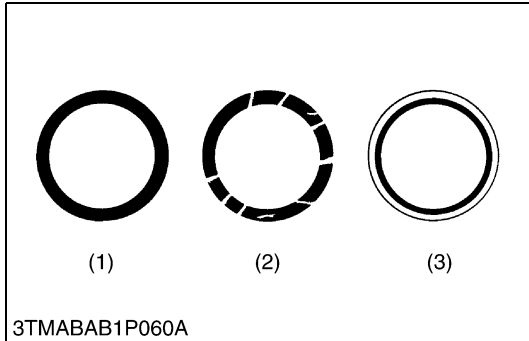
Checking Valve Seats

1. Coat the valve face lightly with prussian blue and put the valve on its seat to check the contact.
2. If the valve does not seat all the way around the valve seat or the valve contact is less than 70 %, correct the valve seating as follows.
3. If the valve contact does not comply with the reference value, replace the valve or correct the contact of valve seating.

Valve seat width	Factory spec.	2.12 mm 0.0835 in.
------------------	---------------	-----------------------

- (1) Correct (3) Incorrect
 (2) Incorrect

9Y1210318GEG0048US0



3TMABAB1P060A

[8] CHECK POINTS OF EVERY 2 YEARS

Replacing Intake Air Line

1. Replace the intake hose and the clamps between the air cleaner and the carburetor or gas mixer.

9Y1210318GEG0049US0

Replacing LPG Fuel Hose and Clamp Bands (DF972-E2)

1. Replace the fuel hose and the clamps.

9Y1210318GEG0050US0

Replacing Fuel Hose and Clamp Bands (DG972-E2)

1. Replace the fuel hose and the clamps.

9Y1210318GEG0051US0

Replacing Coolant Hose of LPG Vaporizer (DF972-E2)

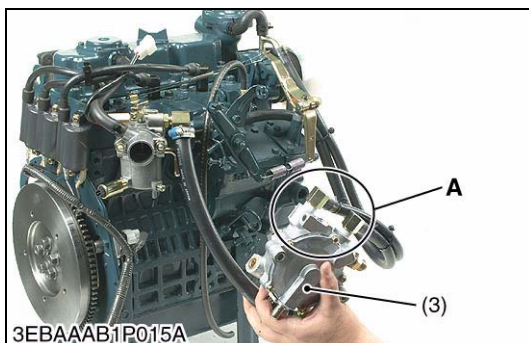
1. Connect the new coolant hose (1) and (2) to the vaporizer (3).
2. Hold the joint of vaporizer upward.
3. The coolant replenished to radiator, and bleed the air from the vaporizer (3).

- (1) Coolant Hose (A : Joint)
 (2) Coolant Hose
 (3) Vaporizer

9Y1210318GEG0052US0



3EBAAAB1P014A



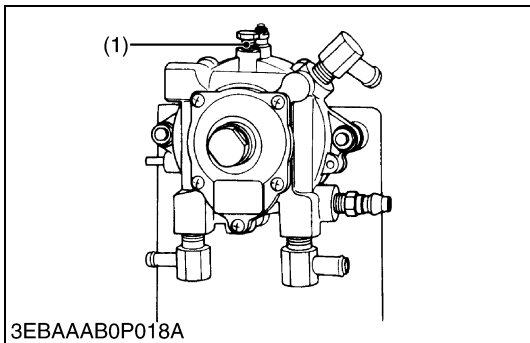
3EBAAAB1P015A



Replacing Vacuum Lock Hose of LPG Vaporizer (DF972-E2)

1. Connect the new vacuum lock hose (1).
- (1) Vacuum Lock Hose

9Y1210318GEG0053US0



Checking Primary Chamber (DF972-E2)

■ IMPORTANT

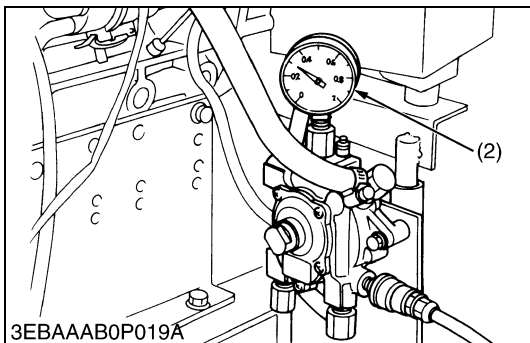
- When checking the fuel system after completely consuming the fuel in piping.
- Treat a seal tape or liquid gasket when install each connector.

1. Run the engine until is warmed up.
2. Shut a shut off solenoid valve and the engine stopped naturally.
3. Disconnect the plug (1).
4. Set the pressure gauge (2).
5. Open a shut off solenoid valve and the engine is started.
6. Check the pressure.
7. If the pressure is not within the factory specification, replace the vaporizer.

Pressure	Factory spec.	30 to 34 kPa 0.30 to 0.35 kgf/cm ² 4.3 to 4.9 psi
----------	---------------	--

- (1) Plug (2) Pressure Gauge

9Y1210318GEG0054US0

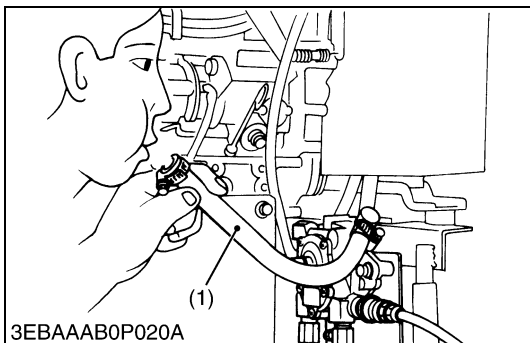


Checking Air Tight of Secondary Chamber (DF972-E2)

1. Disconnect the vapor hose (1) from the mixer side.
2. Blow a breath lightly or compressed air (9.8 kPa, 0.10 kgf/cm², 1.4 psi).
3. Make sure that there is no air leak.
4. If there is a leakage, replace the vaporizer.

- (1) Vapor Hose

9Y1210318GEG0055US0

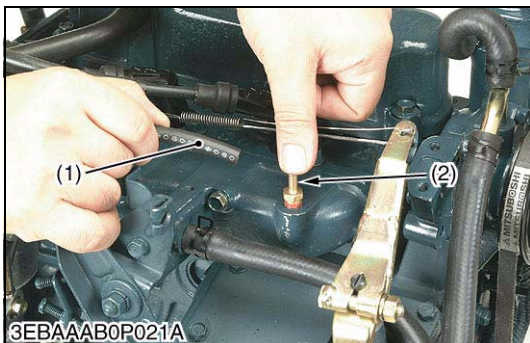


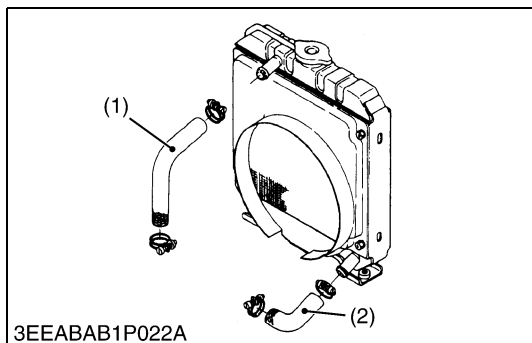
Checking Vacuum Lock System (DF972-E2)

1. After warming up, and set the low idling speed.
2. Disconnect the vacuum lock hose (1), and close the joint manifold by finger.
3. Make sure that the engine stops.

- (1) Vacuum Lock Hose (2) Joint

9Y1210318GEG0056US0





Replacing Radiator Hoses and Clamp Bands

⚠ CAUTION

- **Do not remove the radiator cap when the engine is hot. Then loosen cap slightly to the stop to relieve any excess pressure before removing cap completely.**
1. Drain the coolant.
 2. Loosen the clamp bands.
 3. Remove the upper hose (1) and lower hose (2).
 4. Replace new upper / lower hose (1), (2) and clamp bands.
 5. Tighten the clamp bands.
 6. Fill with clean water and anti-freeze until the coolant level is just below the port. Install the radiator cap securely.

(1) Upper Hose

(2) Lower Hose

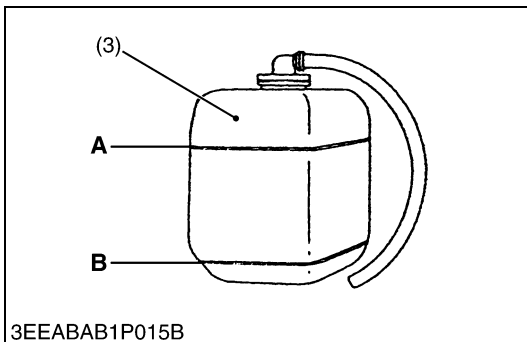
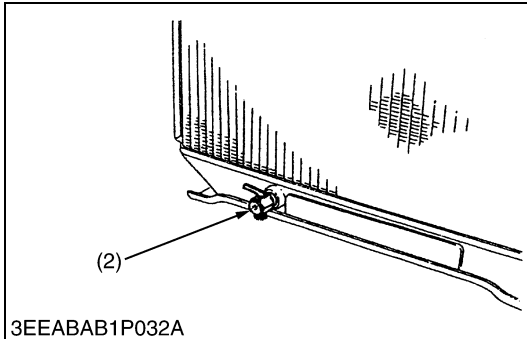
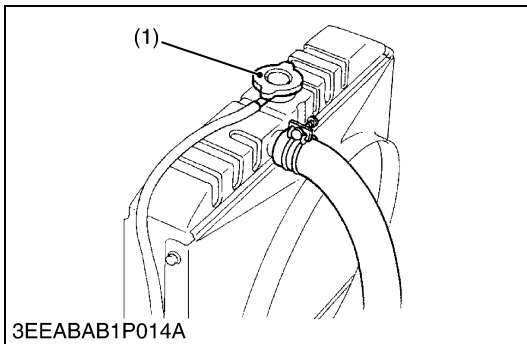
9Y1210318GEG0057US0

Replacing Battery

⚠ CAUTION

- **When the battery is being activated, hydrogen and oxygen gases in the battery are extremely explosive. Keep open sparks and flames away from the battery at all times, especially when charging the battery.**
 - **When charging battery, remove battery vent plugs.**
 - **When disconnecting the cable from the battery, start with the negative terminal first. When connecting the cable to the battery, start with the positive terminal first.**
 - **Never check battery charge by placing a metal object across the posts.**
1. Disconnect the negative terminal and positive terminal.
 2. Remove the battery holder.
 3. Remove the used battery.
 4. Replace the new battery.
 5. Tighten the battery holder.
 6. Connect the positive terminal.
 7. Connect the negative terminal.

9Y1210318GEG0058US0



Changing Radiator Coolant (L.L.C.)

⚠ CAUTION

- **Do not remove the radiator cap when the engine is hot. Then loosen cap slightly to the stop to relieve any excess pressure before removing cap completely.**
1. Stop the engine and let cool down.
 2. To drain the coolant, open the radiator drain plug (2) and remove the radiator cap (1). Then radiator (1) must be removed to completely drain the coolant. And open the drain cock of engine body.
 3. After all coolant is drained, close the drain plug.
 4. Fill with clean water and cooling system cleaner.
 5. Follow directions of the cleaner instruction.
 6. After flushing, fill with clean water and anti-freeze until the coolant level is just below the port. Install the radiator cap (1) securely.
 7. Fill with coolant up to **FULL "A"** mark on the recovery tank (3).
 8. Start and operate the engine for few minutes.
 9. Stop the engine and let cool. Check coolant level of radiator and recovery tank (3) and add coolant if necessary.

■ IMPORTANT

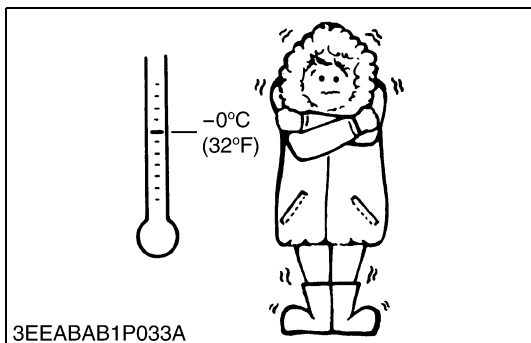
- **Do not start engine without coolant.**
- **Use clean, fresh, soft water and anti-freeze to fill the radiator and recovery tank.**
- **When the anti-freeze is mixed with fresh, soft water, the anti-freeze mixing ratio must be less than 50 %.**
- **Securely tighten radiator cap. If the cap is loose or improperly fitted, water may leak out and the engine could overheat.**

- (1) Radiator Cap
 (2) Drain Plug
 (3) Recovery Tank

A : Full
 B : Low

(To be continued)

(Continued)



(Anti-freeze)

- There are two types of anti-freeze available; use the permanent type (PT) for this engine.
- Before adding anti-freeze for the first time, clean the radiator interior by pouring fresh, soft water and drain it a few times.
- The procedure for mixing water and anti-freeze differs according to the make of the anti-freeze and the ambient temperature. Basically, it should be referred to SAE J1034 standard, more specifically also to SAE J814c.
- Mix the anti-freeze with fresh, soft water, and then fill into the radiator.

■ **IMPORTANT**

- **When the anti-freeze is mixed with fresh, soft water, and anti-freeze mixing ratio must be less than 50 %.**

Vol % anti-freeze	Freezing point		Boiling point*	
	°C	°F	°C	°F
40	-24	-11	106	223
50	-37	-35	108	226

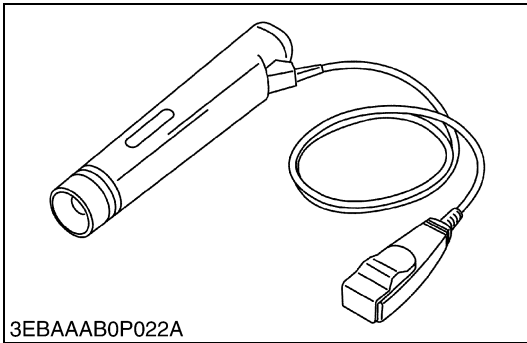
* At 1.01 x 100000 Pa (760 mmHg) pressure (atmospheric). A higher boiling point is obtained by using a radiator pressure cap which permits the development of pressure within the cooling system.

■ **NOTE**

- The above data represents industrial standards that necessitate a minimum glycol content in the concentrated anti-freeze.
- When the coolant level drops due to evaporation, add fresh, soft water only to keep the anti-freeze mixing ratio less than 50 %. In case of leakage, add anti-freeze and fresh, soft water in the specified mixing ratio.
- Anti-freeze absorbs moisture. Keep unused anti-freeze in a tightly sealed container.
- Do not use radiator cleaning agents when anti-freeze has been added to the coolant.
(Anti-freeze contains an anti-corrosive agent, which will react with the radiator cleaning agent forming sludge which will affect the engine parts.)

9Y1210318GEG0059US0

5. SPECIAL TOOLS

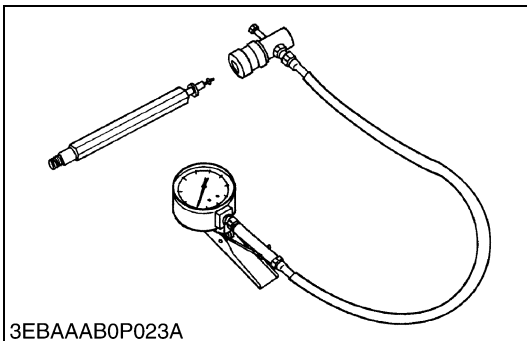


Timing Light

Application

- Use to adjust the ignition timing.

WSM000001GEG0089US0



Compression Tester

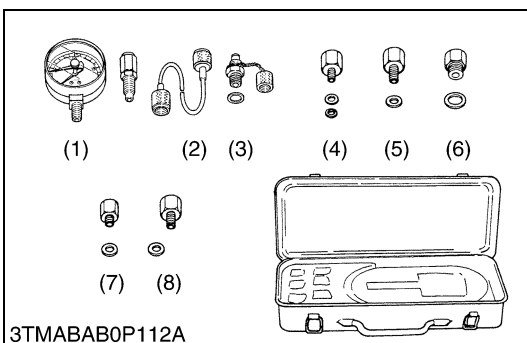
Code No.

- 07909-30251

Application

- Use to measure gasoline engine compression and diagnose the engine for a major overhaul.

WSM000001GEG0088US0



Oil Pressure Tester

Code No.

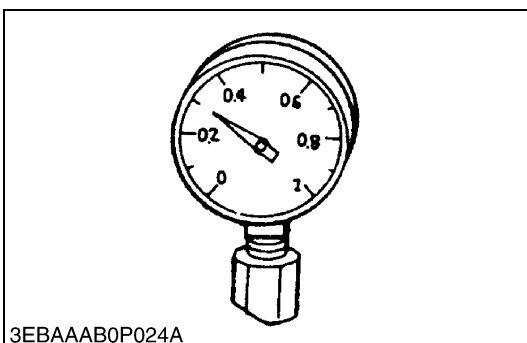
- 07916-32032

Application

- Use to measure lubricating oil pressure.

- | | |
|--------------------|---------------|
| (1) Gauge | (5) Adaptor 2 |
| (2) Cable | (6) Adaptor 3 |
| (3) Threaded Joint | (7) Adaptor 4 |
| (4) Adaptor 1 | (8) Adaptor 5 |

WSM000001GEG0015US0



Pressure Gauge

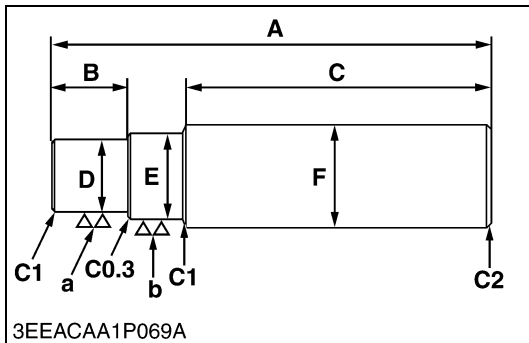
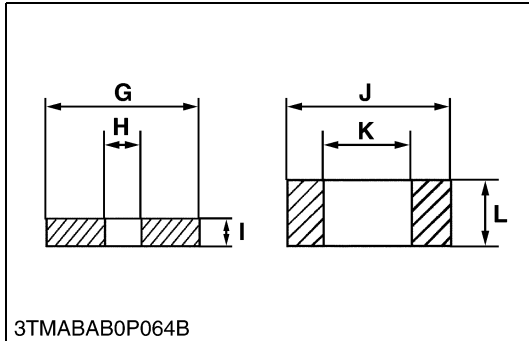
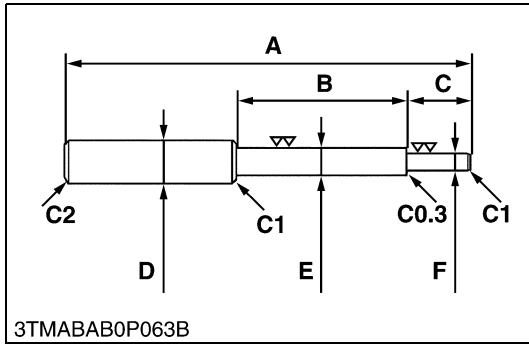
Specification

- 98 kPa (1.0 kgf/cm², 14 psi)

Application

- Check the pressure of vaporizer.

WSM000001GEG0090US0



Valve Guide Replacing Tool

Application

- Use to press out and press fit the valve guide.

A	200 mm (7.87 in.)
B	80 mm (3.1 in.)
C	40 mm (1.6 in.)
D	20 mm dia. (0.79 in. dia.)
E	9.960 to 9.980 mm dia. (0.3922 to 0.3929 in. dia.)
F	5.50 to 5.70 mm dia. (0.217 to 0.224 in. dia.)
G	15 mm (0.59 in.)
H	6.00 to 6.10 mm dia. (0.237 to 0.240 in. dia.)
I	5 mm (0.2 in.)
J	18 mm dia. (0.71 in. dia.)
K	10.6 to 10.7 mm dia. (0.418 to 0.421 in. dia.)
L	7 mm (0.3 in.)
C1	Chamfer 1.0 mm (0.039 in.)
C2	Chamfer 2.0 mm (0.079 in.)
C0.3	Chamfer 0.3 mm (0.01 in.)

9Y1210318GEG0060US0

Bushing Replacing Tool

Application

- Use to press out and to press fit the bushing.

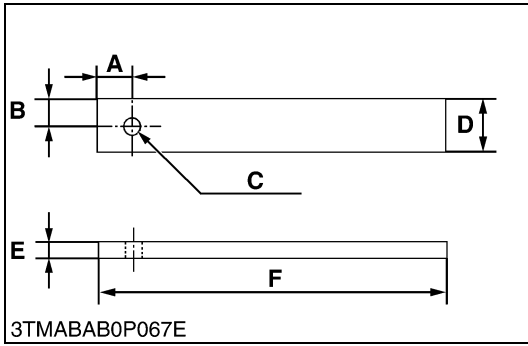
[For small end bushing]

A	145 mm (5.71 in.)
B	20 mm (0.79 in.)
C	100 mm (3.94 in.)
D	19.90 to 19.95 mm (0.7835 to 0.7854 in.)
E	21.90 to 21.95 mm dia. (0.8622 to 0.8641 in. dia.)
F	25 mm (0.98 in.)
a	6.3 μm (250 μin.)
b	6.3 μm (250 μin.)

[For idle gear bushing]

A	150 mm (5.91 in.)
B	20 mm (0.79 in.)
C	100 mm (3.94 in.)
D	19.90 to 19.95 mm (0.7835 to 0.7854 in.)
E	21.90 to 21.95 mm dia. (0.8622 to 0.8641 in. dia.)
F	25 mm (0.98 in.)
a	6.3 μm (250 μin.)
b	6.3 μm (250 μin.)

9Y1210318GEG0061US0



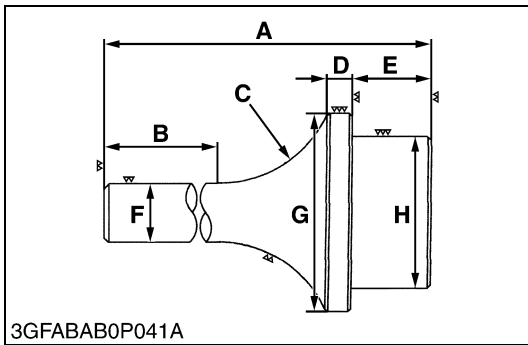
Flywheel Stopper

Application

- Use to loosen and tighten the flywheel screw.

A	20 mm (0.79 in.)
B	15 mm (0.59 in.)
C	10 mm dia. (0.39 in. dia.)
D	30 mm (1.2 in.)
E	8 mm (0.3 in.)
F	200 mm (7.87 in.)

9Y1210318GEG0062US0



Crankshaft Bearing 1 Replacing Tool

Application

- Use to press out and press fit the crankshaft bearing 1.

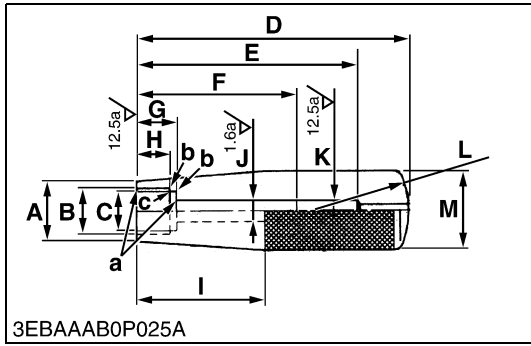
[Press Out]

A	135 mm (5.31 in.)
B	72 mm (2.8 in.)
C	40 mm radius (1.6 in. radius)
D	10 mm (0.39 in.)
E	22 mm (0.87 in.)
F	20 mm dia. (0.79 in. dia.)
G	47.90 to 47.95 mm dia. (1.886 to 1.887 in. dia.)
H	43.90 to 43.95 mm dia. (1.729 to 1.730 in. dia.)

[Press Fit]

A	130 mm (5.12 in.)
B	72 mm (2.8 in.)
C	40 mm radius (1.6 in. radius)
D	9 mm (0.4 in.)
E	24 mm (0.94 in.)
F	20 mm (0.79 in.)
G	68 mm dia. (2.7 in. dia.)
H	43.90 to 43.95 mm dia. (1.729 to 1.730 in. dia.)

9Y1210318GEG0063US0



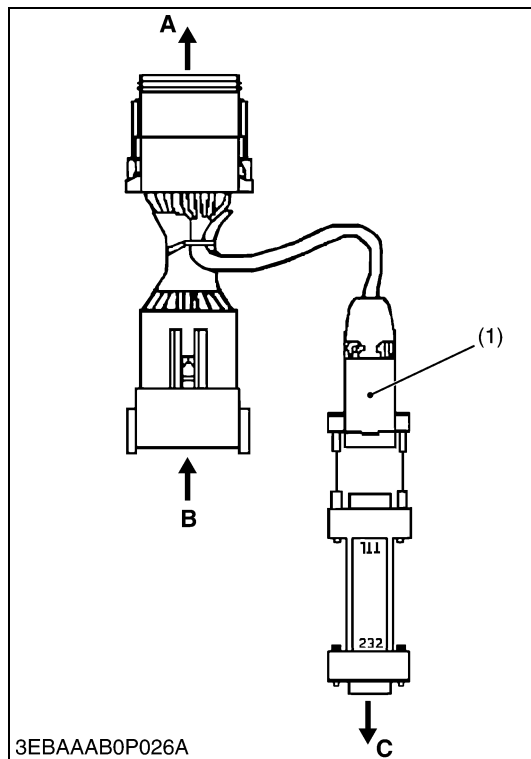
Valve Stem Seal Replacing Tool

Application

- Use to press fit the valve stem seal.

A	17.5 mm dia. (0.689 in. dia.)
B	13.7 to 13.9 mm dia. (0.540 to 0.547 in. dia.)
C	11.0 to 11.2 mm dia. (0.433 to 0.440 in. dia.)
D	75 mm (3.0 in.)
E	60 mm (2.4 in.)
F	45 mm (1.8 in.)
G	11.5 to 11.6 mm (0.453 to 0.456 in.)
H	8.5 mm (0.33 in.)
I	37.5 mm (1.48 in.)
J	6 mm dia. (0.2 in. dia.)
K	6 mm dia. (0.2 in. dia.)
L	R 30
M	26 mm dia. (1.0 in. dia.)
a	Chamfer 0.3 mm (0.01 in.)
b	Chamfer 0.4 mm (0.02 in.)
c	Chamfer 0.2 mm (0.008 in.)

9Y1210318GEG0064US0



Electronic Governor Service Tool (WG972-E2, DF972-E2)

■ NOTE

- Many applications are delivered pre-configured, calibrated, and tuned. These units do not require the use of the Service Tool.

The Service Tool software is used to troubleshoot the electronic governor.

The Service Tool software resides on a PC (Personal computer) and communicates to the electronic governor through connector pins 4 and 6. An external RS-232 transceiver is necessary to make communications possible with the Woodward L-Series Service Tool.

The following hardware is required to work with the L-Series control : communication port, and Windows 95 / 98 / 2000 / NT / Me / XP as the operating system.

- PC-compatible laptop or desktop computer with at least one available serial communications port, and Windows 95 / 98 / 2000 / NT / Me / XP as the operating system.
- Datalink harness

A connectivity kit (Woodward No. 8923-1061) can be purchased from Woodward to accomplish this.

In addition to the hardware, the following are the distributions of tool software needed to communicate with the control :

- Woodward part number 9927-1222, L-Series Service Tool.



CAUTION

- There is a potential for serial port damage when communicating with the L-Series control. This is caused by a difference in AC voltage between neutral and earth ground. If the PC RS-232 port ground is referenced to AC neutral, and the L-Series control is referenced to battery ground (AC earth ground), a large amount of current can be experienced. To avoid this situation, we strongly recommend placing an isolation transformer between the AC outlet and the PC.

(1) Connectivity Kit

A : To Actuator

B : From Engine Control Harness

C : To Personal Computer

9Y1210318GEG0065US0

1 ENGINE

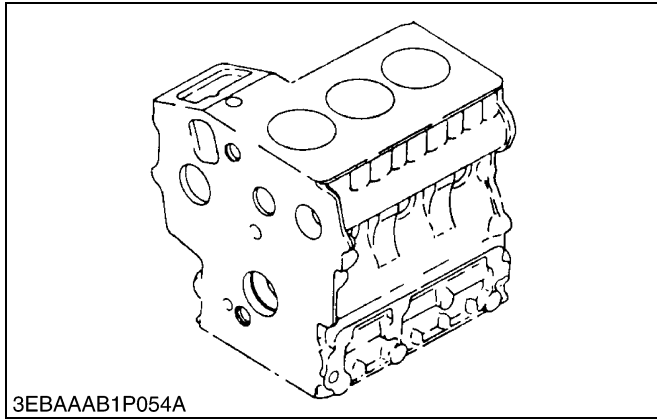
MECHANISM

CONTENTS

1. ENGINE BODY	1-M1
[1] CYLINDER BLOCK	1-M1
[2] HALF-FLOATING HEAD COVER	1-M1
[3] CYLINDER HEAD	1-M2
[4] CRANKSHAFT	1-M2
[5] PISTON AND PISTON RING	1-M3
[6] OIL PAN	1-M3
[7] CONNECTING ROD	1-M4
[8] CAMSHAFT	1-M4
[9] FUEL CAMSHAFT	1-M4
[10]ROCKER ARM ASSEMBLY	1-M5
[11]INLET AND EXHAUST VALVES	1-M5
[12]FLYWHEEL	1-M5
[13]CLOSED BREATHER	1-M6
2. LUBRICATING SYSTEM	1-M7
[1] GENERAL	1-M7
[2] OIL PUMP	1-M8
[3] RELIEF VALVE	1-M8
[4] OIL FILTER CARTRIDGE	1-M8
[5] OIL PRESSURE SWITCH	1-M9
3. COOLING SYSTEM	1-M10
[1] GENERAL	1-M10
[2] COOLING FIN	1-M10
[3] WATER PUMP	1-M10
[4] THERMOSTAT	1-M11
[5] RADIATOR	1-M11
[6] RADIATOR CAP	1-M12
[7] VAPORIZER (DF972-E2)	1-M12
4. FUEL SYSTEM	1-M13
[1] GENERAL	1-M13
(1) WG972-E2, DF972-E2	1-M13
(2) DG972-E2	1-M14
[2] CARBURETOR AND GAS MIXER	1-M15
(1) Carburetor (WG972-E2)	1-M15
(2) Carburetor (DF972-E2)	1-M16
(3) Gas Mixer (DG972-E2)	1-M17
[3] VAPORIZER (DF972-E2)	1-M17
[4] REGULATOR (DG972-E2)	1-M20
[5] GOVERNOR	1-M21
[6] INLET MANIFOLD	1-M21
[7] FUEL FILTER (FOR GASOLINE LINE)	1-M22
[8] ELECTRO MAGNETIC FUEL FEED PUMP (FOR GASOLINE LINE)	1-M22
5. IGNITION SYSTEM	1-M23
[1] DEGITAL IGNITION SYSTEM	1-M23
6. ELECTRICAL SYSTEM	1-M24
[1] STARTING SYSTEM	1-M24
[2] CHARGING SYSTEM	1-M25
[3] SOLENOID	1-M28
7. ELECTRONIC GOVERNOR	1-M29

1. ENGINE BODY

[1] CYLINDER BLOCK

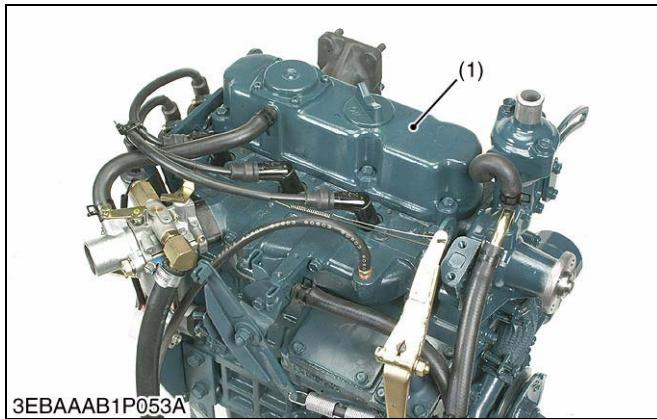


The engine has a high durability tunnel-type cylinder block in which the crank bearing component is a constructed body. Furthermore, liner less type, allow effective cooling, less distortion, and greater wear resistance. The noise level is reduced to a minimum because each cylinder has its own chamber.

To increase the rigidity of the cylinder block, parts of engine block which support main bearing case has thicker rib for additional rigidness to improve noise and vibration.

9Y1210318ENM0001US0

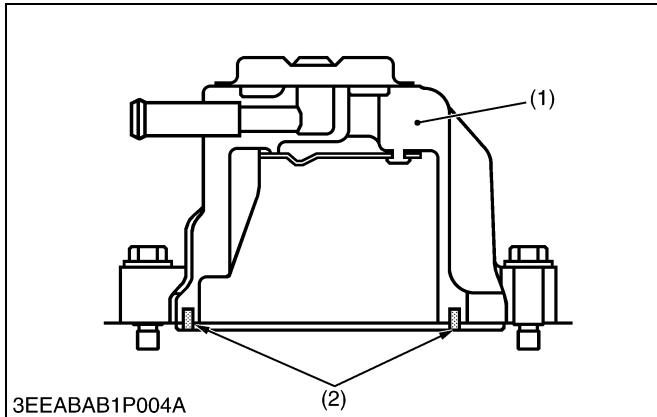
[2] HALF-FLOATING HEAD COVER



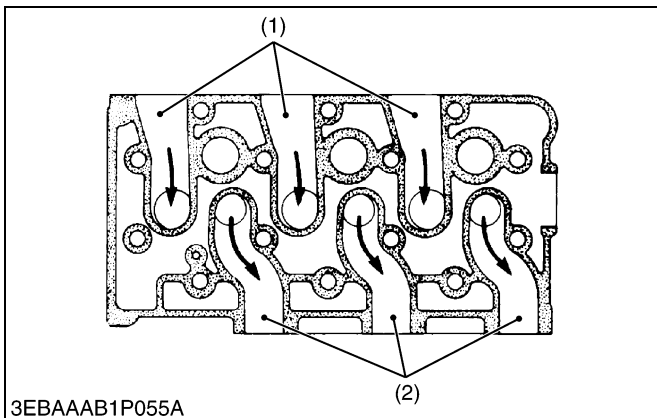
The rubber packing is fitting in to maintain the head cover 0.5 mm (0.02 in.) or so off the cylinder head. This arrangement helps reduce noise coming from the cylinder head.

- (1) Cylinder Head Cover
- (2) Rubber Packing

9Y1210318ENM0002US0



[3] CYLINDER HEAD

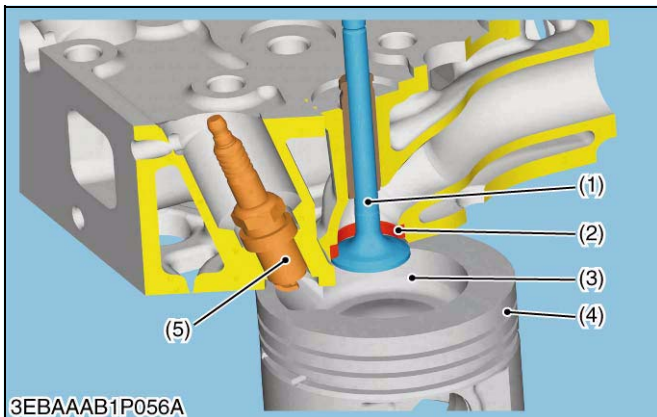


Intake and Exhaust Port

The cross-flow type intake / exhaust ports, which lower the heat conduction from the exhaust port to the intake port. The low heat conduction keeps the intake air from being heated and expanded by the exhaust gas.

- (1) Intake Port
- (2) Exhaust Port

9Y1210318ENM0003US0



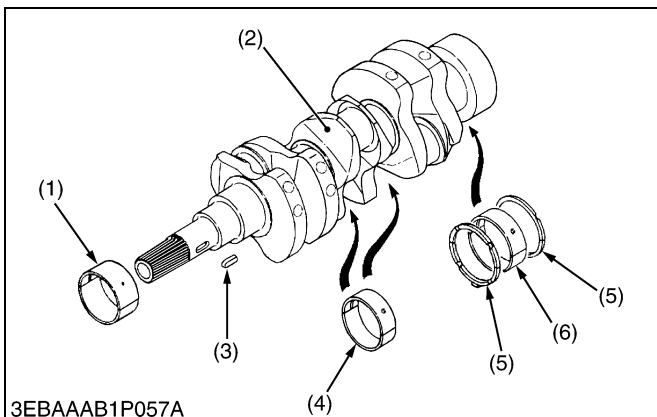
Combustion System

The Spark Ignition type combustion chamber, compactly placed on top of the piston head, successfully reduces emissions. To ensure even more reliable emission life, the intake / exhaust valve seats are fitted with special heat resistant stellite alloys.

- (1) Valve
- (2) Valve Seat
- (3) Main Combustion Chamber
- (4) Piston
- (5) Spark Plug

9Y1210318ENM0004US0

[4] CRANKSHAFT



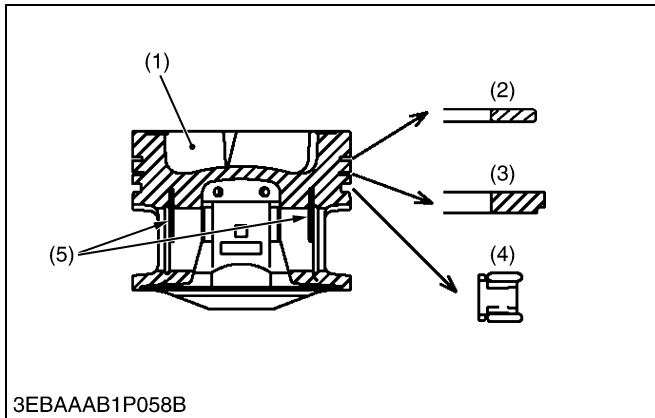
The crankshaft with the connecting rod converts the reciprocating motion of the piston into rotating motion. The crankshaft (2) has oil passages drilled so that oil can flow from the main bearings to the crank pin bearings.

The front journal is supported by a sleeve type bearing (crankshaft bearing 1) (1), the intermediate journal by a split type (crankshaft bearing 3) (4), and the rear by a split type (crankshaft bearing 2) (6) with thrust bearings (5).

- (1) Crankshaft Bearing 1
- (2) Crankshaft
- (3) Feather Key
- (4) Crankshaft Bearing 3
- (5) Thrust Bearing
- (6) Crankshaft Bearing 2

9Y1210318ENM0005US0

[5] PISTON AND PISTON RING



3EBAAAB1P058B

Piston and Piston Ring

Expansion Control Piston:

The thermal expansion is suppressed to the minimum by the adoption of the strut (5). The piston head has the combustion chamber (1) with the concave of bathtub shaped type.

Top Ring:

Barrel-faced type has an ideal shape in terms of lubrication theory in order to prevent abnormal wear due to edge loading at the time of initial running-in, and it is very effective in prevention of blow-by.

Second Ring:

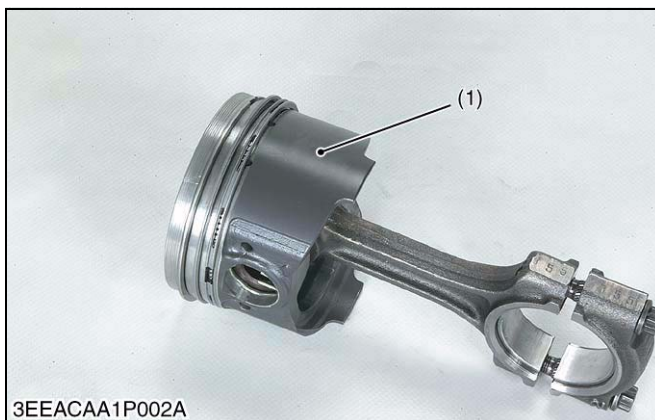
Barrel-faced type has an ideal shape in terms of lubrication theory in order to prevent abnormal wear due to edge loading at the time of initial running-in, and it is very effective in prevention of blow-by.

Oil Ring:

Oil ring consists of three steel components, that is upper and lower rails and one spacer being held between two rails. This function is particularly effective in preventing oil-up because of high boost at the time of engine coasting.

- | | |
|------------------------|--------------|
| (1) Combustion Chamber | (4) Oil Ring |
| (2) Top Ring | (5) Strut |
| (3) Second Ring | |

9Y1210318ENM0006US0



3EEACAA1P002A

Piston Skirt

Piston's skirt is coated with **molybdenum disulfide★**, which reduces the piston slap noise and thus the entire operating noise.

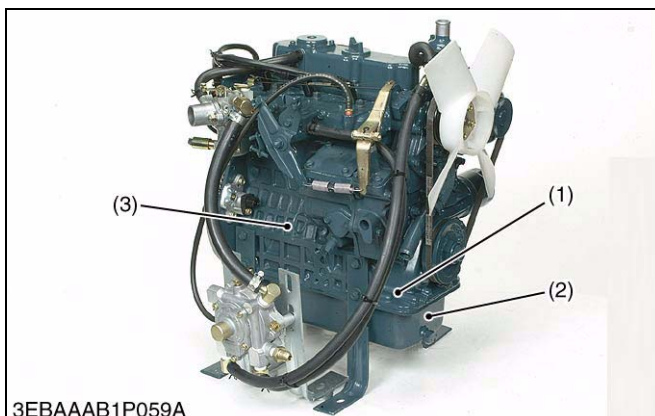
★ Molybdenum disulfide (MoS2)

The molybdenum disulfide serves as a solid lubricant, like a Graphite or Teflon. This material helps resist metal wears even with little lube oil.

- (1) Molybdenum Disulfide

9Y1210318ENM0007US0

[6] OIL PAN



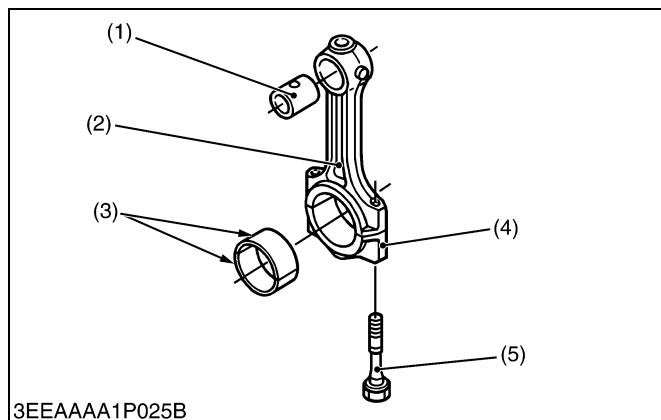
3EBAAAB1P059A

The oil pan is expanded under the gear case. Therefore, the height of the engine can be lowered more than so far while securing a necessary amount of oil.

- | | |
|---------------|----------------|
| (1) Gear Case | (3) Crank Case |
| (2) Oil Pan | |

9Y1210318ENM0008US0

[7] CONNECTING ROD

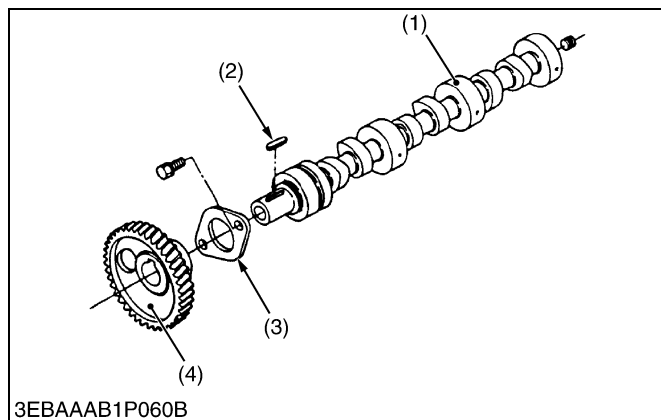


The connecting rod (2) is used to connect the piston with the crankshaft. The big end of the connecting rod has a crankpin bearing (3) (split type) and the small end has a small end bushing (1) (solid type).

- | | |
|-----------------------|--------------------------|
| (1) Small End Bushing | (4) Connecting Rod Cap |
| (2) Connecting Rod | (5) Connecting Rod Screw |
| (3) Crankpin Bearing | |

9Y1210318ENM0009US0

[8] CAMSHAFT



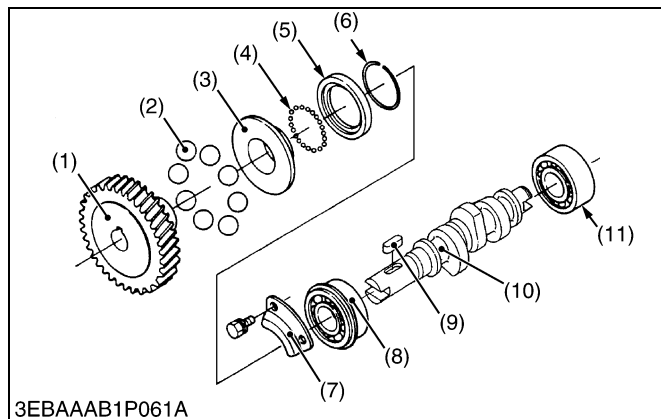
The camshaft (1) is made of special cast iron, and the journal and cam sections are chilled to resist wear.

The cams on the camshaft cause the intake and exhaust valves to open as the camshaft rotates. The bearing and journals are force-lubricated.

- | | |
|-----------------|----------------------|
| (1) Camshaft | (3) Camshaft Stopper |
| (2) Feather Key | (4) Cam Gear |

9Y1210318ENM0010US0

[9] FUEL CAMSHAFT



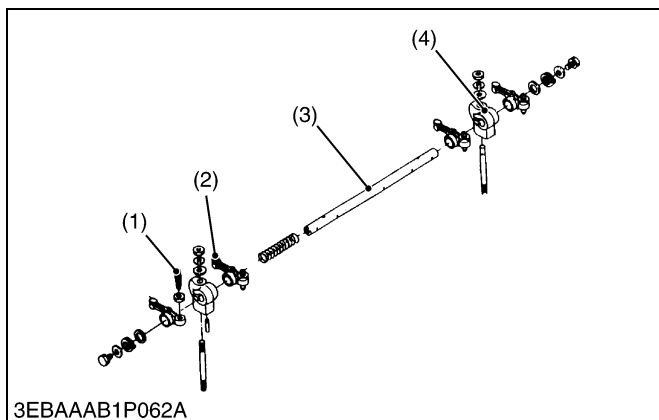
The camshaft (10) is equipped with steel ball (2) to control the governor.

Power can be taken out from this shaft. (Side PTO).

- | | |
|-------------------------------|--------------------|
| (1) Injection Pump Gear | (7) Stopper |
| (2) Steel Ball | (8) Ball Bearing |
| (3) Governor Sleeve | (9) Feather key |
| (4) Steel Ball | (10) Fuel Camshaft |
| (5) Governor Ball Case | (11) Ball Bearing |
| (6) Governor Sleeve Snap Ring | |

9Y1210318ENM0011US0

[10] ROCKER ARM ASSEMBLY



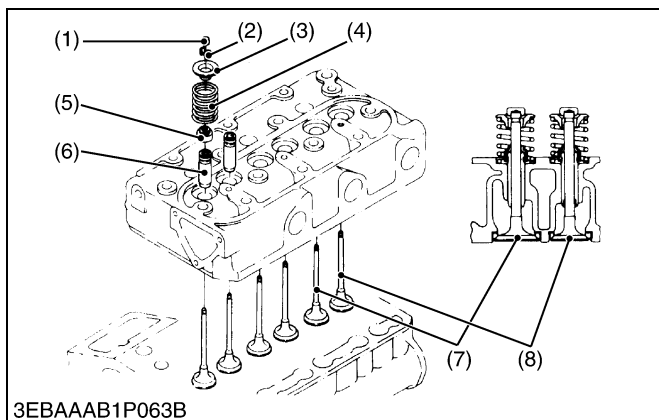
The rocker arm assembly includes the rocker arms (2) and adjusting screws (1), the end of which rests on the push rods, rocker arm brackets (4) and rocker arm shaft (3).

The rocker arms swing and transmits the reciprocating motion of the push rods to the inlet and exhaust valves to open and close them.

- | | |
|---------------------|------------------------|
| (1) Adjusting Screw | (3) Rocker Arm Shaft |
| (2) Rocker Arm | (4) Rocker Arm Bracket |

9Y1210318ENM0012US0

[11] INLET AND EXHAUST VALVES



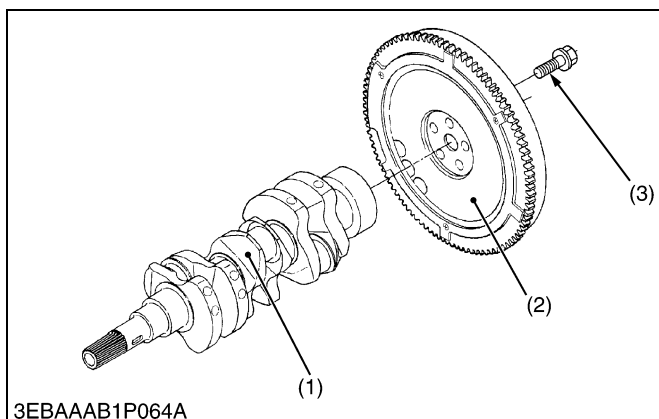
The valve and its guide for the inlet are different from those for the exhaust.

Other parts, such as the spring (4), spring retainer (3), collet (2), stem seal (5), and cap (1) are the same for both the inlet and exhaust.

- | | |
|---------------------|-------------------|
| (1) Valve Cap | (5) Stem Seal |
| (2) Collet | (6) Valve Guide |
| (3) Spring Retainer | (7) Inlet Valve |
| (4) Spring | (8) Exhaust Valve |

9Y1210318ENM0013US0

[12] FLYWHEEL



The flywheel (2) is connected with the crankshaft (1), it stores the rotating force in the combustion stroke as inertial energy to rotate the crankshaft smoothly.

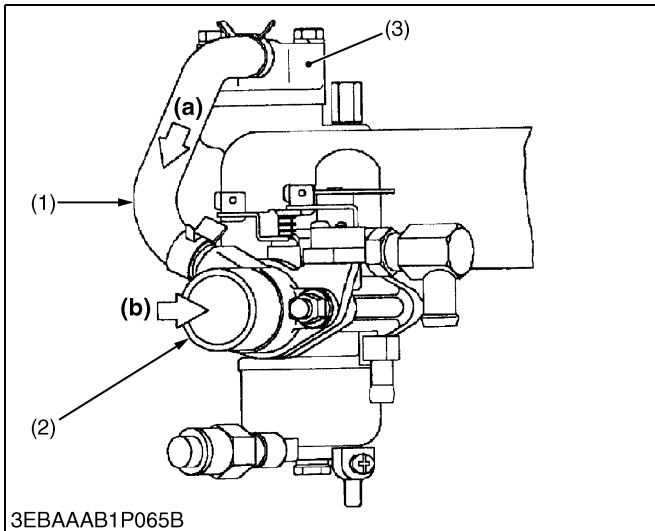
The flywheel periphery is provided with marks showing fuel injection timing and top dead center.

The flywheel has gear teeth around its outer rim, which mesh with the drive pinion of the starter.

- | | |
|----------------|-----------------------------|
| (1) Crankshaft | (3) Flywheel Mounting Screw |
| (2) Flywheel | |

9Y1210318ENM0014US0

[13] CLOSED BREATHER



Blow-by gas **(a)** from crankcase is deoiled in the breather assembly (3) and sends to the air cleaner flange (2) where the blow-by gas **(a)** is mixed with the intake air **(b)**.

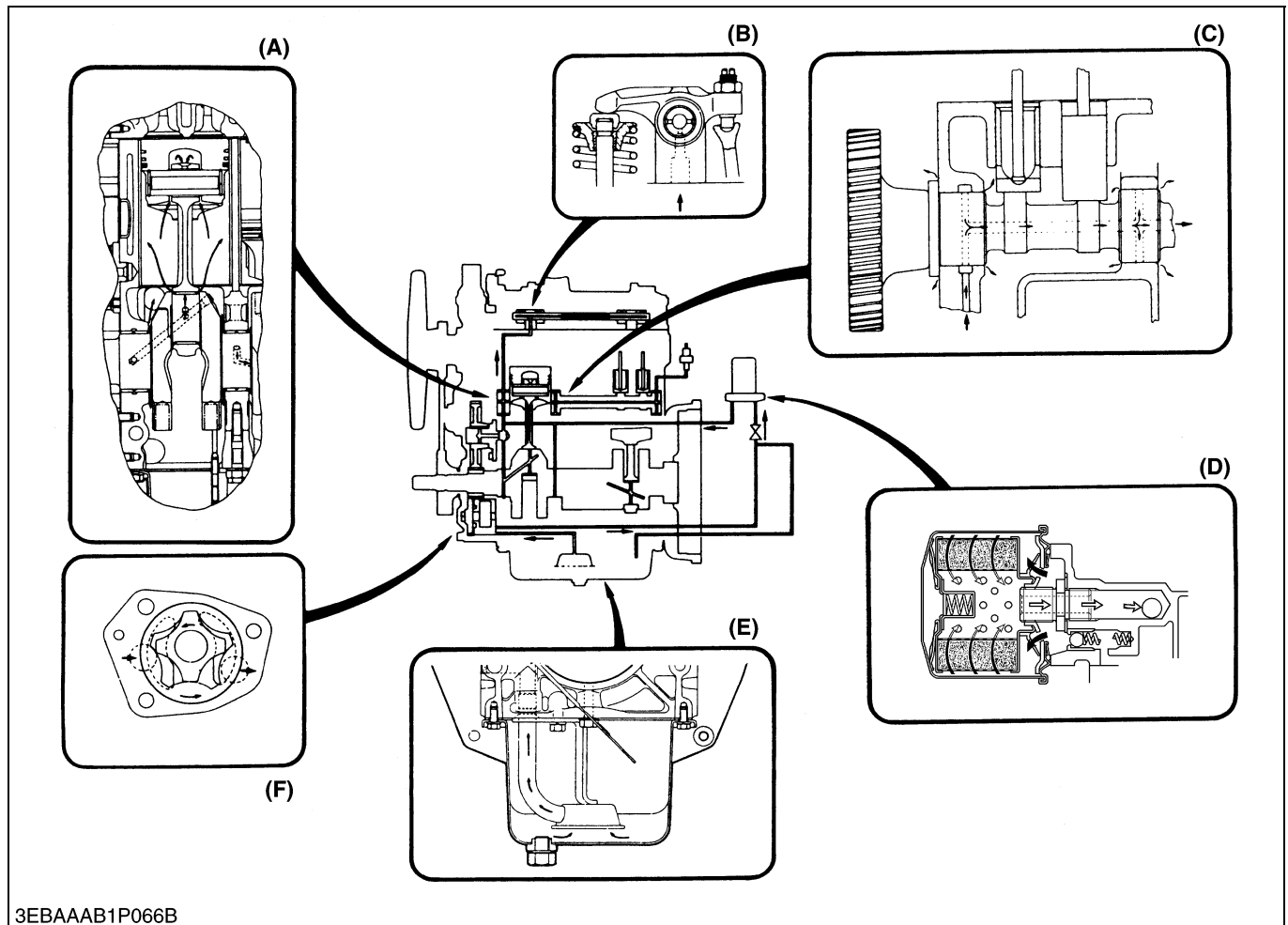
- (1) Breather Hose
- (2) Air Cleaner Flange
- (3) Breather Assembly

- (a) Blow-by Gas**
- (b) Intake Air**

9Y1210318ENM0015US0

2. LUBRICATING SYSTEM

[1] GENERAL



3EBAAAB1P066B

- | | | | |
|-------------------------------------|---|------------------|--------------|
| (A) Piston | (C) Camshaft | (E) Oil Strainer | (F) Oil Pump |
| (B) Rocker Arm and Rocker Arm Shaft | (D) Oil Filter Cartridge and Relief Valve | | |

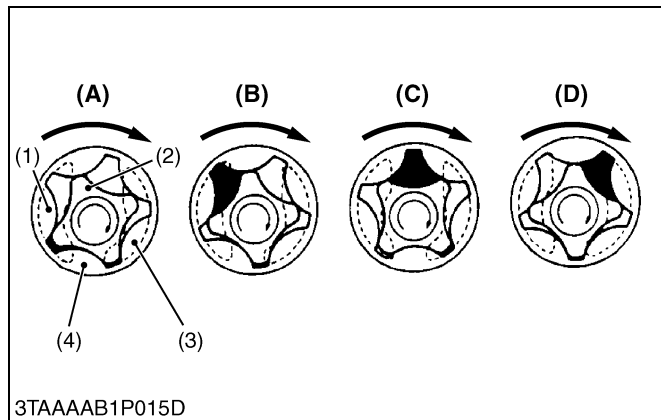
The lubricating system consists of an oil strainer, an oil pump, a relief valve, an oil filter cartridge and an oil pressure switch. The oil pump sucks the lubricating oil in the oil pan through the strainer and sends it to the oil filter cartridge, where the oil is further filtered.

The filtered oil is forced to the crankshaft, the connecting rods, the idle gear, the camshaft and the rocker arm shaft through the oil passage in the cylinder block and the shafts to lubricate the bearings.

Some oil, splashed by the crankshaft or thrown off from the bearings, lubricates other engine parts: the pistons, the cylinder walls, the piston pins, the tappets, the push rods, the timing gears, and the inlet and exhaust valves.

9Y1210318ENM0016US0

[2] OIL PUMP



The oil pump is a trochoid pump, whose rotors have trochoid lobes. The inner rotor (2) has 4 lobes and the outer rotor (4) has 5 lobes, and they are eccentrically engaged with each other. The inner rotor, which is driven by the crankshaft through the gears, rotates the outer rotor in the same direction, varying the space between the lobes.

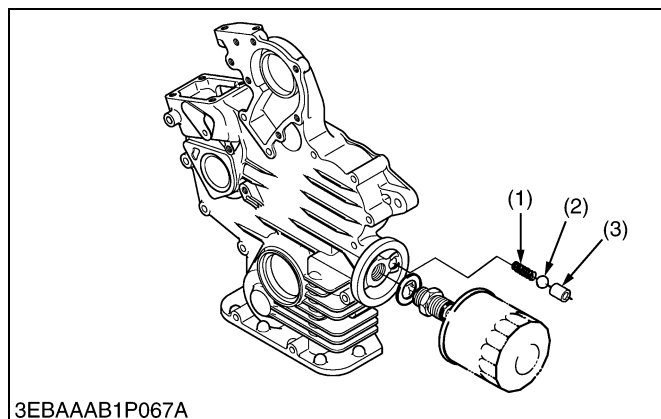
While the rotors rotate from (A) to (B), the space leading to the inlet port increases, which causes the vacuum to suck in the oil from the inlet port.

When the rotors rotate to (C), the space between both rotors switches from the inlet port to the outlet port. At (D), the space decreases and the sucked oil is discharged from the outlet port.

- (1) Inlet Port
- (2) Inner Rotor
- (3) Outlet Port
- (4) Outer Rotor

9Y1210318ENM0017US0

[3] RELIEF VALVE



The relief valve prevents the damage to the lubricating system due to the high pressure of the oil.

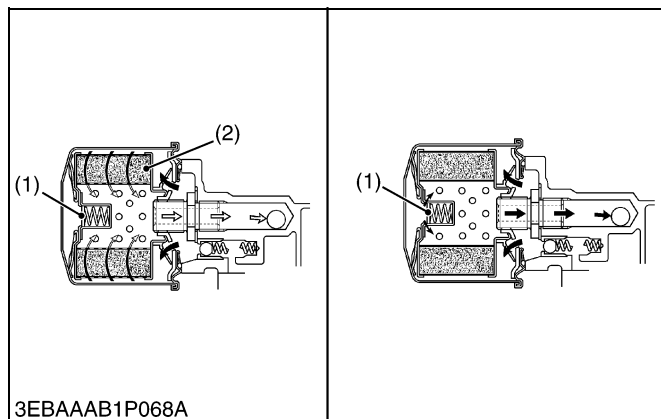
This relief valve is a ball direct acting type, and is best suited for low pressures.

When the pressure of the oil, forced by the pump, exceeds the specified value, the oil pushes back the ball (2) and escapes to the oil pan.

- (1) Spring
- (2) Ball
- (3) Valve Seat

9Y1210318ENM0018US0

[4] OIL FILTER CARTRIDGE



After lubricating, the lubricating oil brings back various particles of grit and dirt to the oil pan. Those particles and the impurities in the lubricating oil can cause wear or seizure of the engine parts. It may also impair the physical and chemical properties of the oil itself.

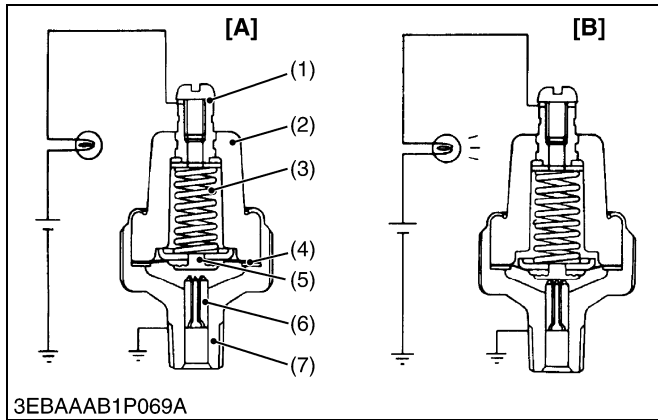
The lubricating oil which is force-fed by the pump, is filtered by the filter cartridge with the filter element (2).

When the filter element accumulates on excessive amount of dirt and the oil pressure in the inlet line builds up by 98 kPa (1.0 kgf/cm², 14 psi) more than the outlet line, the bypass valve (1) opens to allow the oil to flow from the inlet into the outlet line, bypassing the filter element.

- (1) Bypass Valve
- (2) Filter Element

9Y1210318ENM0019US0

[5] OIL PRESSURE SWITCH



The oil pressure switch is mounted on the cylinder block and is led to the lubricating oil passage.

When the oil pressure falls below the specified value, the oil pressure warning lamp lights.

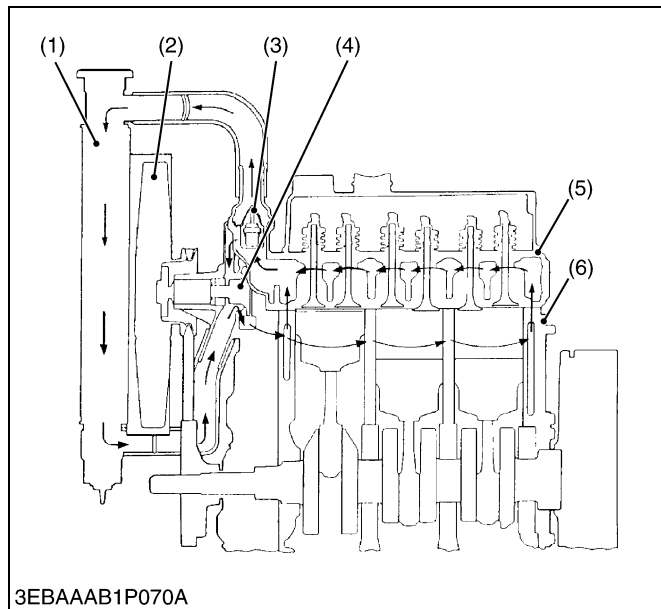
- (1) Terminal
- (2) Insulator
- (3) Spring
- (4) Rubber Gasket
- (5) Contact Rivet
- (6) Contact
- (7) Oil Switch Body

- [A] At the proper oil pressure**
- [B] At lower oil pressure, 50 kPa (0.5kgf/cm², 7 psi) or less**

9Y1210318ENM0020US0

3. COOLING SYSTEM

[1] GENERAL



The cooling system consists of a radiator (1), a centrifugal water pump (4), a suction fan (2) and a thermostat (3).

The coolant is cooled through the radiator core, and the fan behind the radiator pulls the cooling air through the core to improve cooling.

The water pump sucks the coolant from the radiator or from the cylinder head and forces it into the cylinder block.

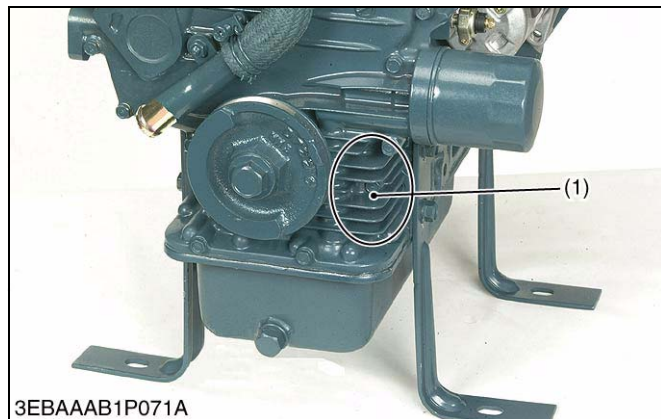
The thermostat opens or closes according to the coolant temperature, to allow the coolant to flow from the cylinder block to the radiator while open, or only to the water pump while closed.

Thermostat's valve opening temperature	Factory spec.	69.5 to 72.5 °C 157.1 to 162.5 °F
--	---------------	--------------------------------------

- (1) Radiator
- (2) Cooling Fan
- (3) Thermostat
- (4) Water Pump
- (5) Cylinder Head
- (6) Cylinder Block

9Y1210318ENM0021US0

[2] COOLING FIN



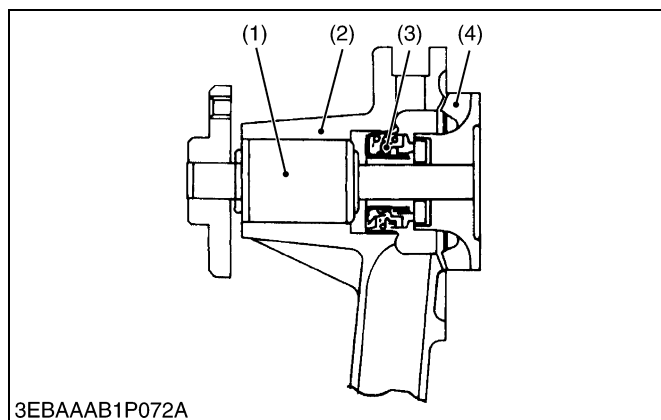
The cooling fin is set up around the oil passage in the gear case.

Therefore, the temperature of oil is decreased by the wind generated by the cooling fan.

- (1) Cooling Fin

9Y1210318ENM0022US0

[3] WATER PUMP



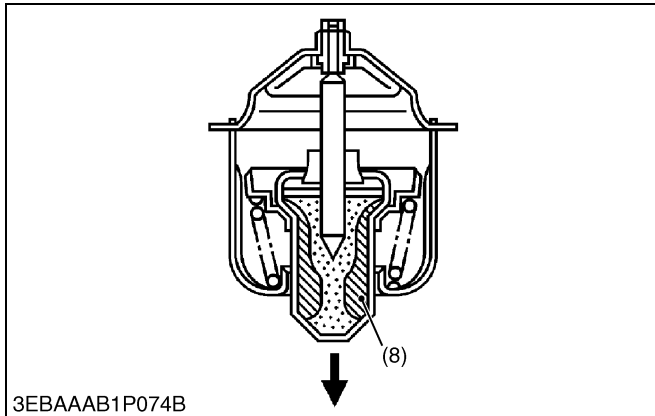
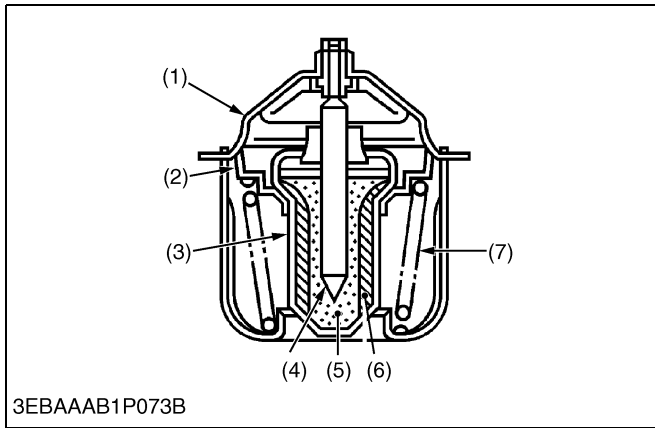
The water pump is driven by the crankshaft and a V belt. The rotating impeller (4) in the water pump sucks the coolant from the radiator and sends it into the water jacket in the cylinder block.

The mechanical seal (3) prevents the water from entering the bearing unit (1).

- (1) Bearing Unit
- (2) Water Pump Body
- (3) Mechanical Seal
- (4) Impeller

9Y1210318ENM0023US0

[4] THERMOSTAT



The thermostat is of the wax pellet type.

The thermostat controls the flow of the coolant to the radiator to keep the proper temperature.

The case, which serves as a valve seat, has a spindle inserted in the pellet (3) which is installed to the valve (2). The spindle is covered with the synthetic rubber (5) in the pellet.

The wax is charged between the pellet and the rubber.

■ **At low temperature (lower than 71 °C (160 °F))**

The valve (2) is seated by the spring (7) and the coolant circulates in the engine through the water return hose without running into the radiator. Only the air in the water jacket escapes to the radiator through the leak hole of the thermostat.

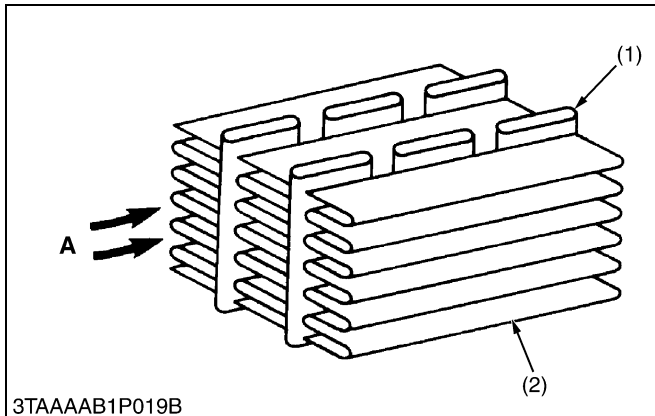
■ **At high temperature (higher than 85 °C (185 °F))**

As the coolant temperature rises, the wax in the pellet (3) turns liquid and expands, repelling the spindle, which causes the pellet to lower. The valve (2) opens to send the coolant to the radiator.

- | | |
|-------------|----------------------|
| (1) Seat | (5) Synthetic Rubber |
| (2) Valve | (6) Wax (Solid) |
| (3) Pellet | (7) Spring |
| (4) Spindle | (8) Wax (liquid) |

9Y1210318ENM0024US0

[5] RADIATOR



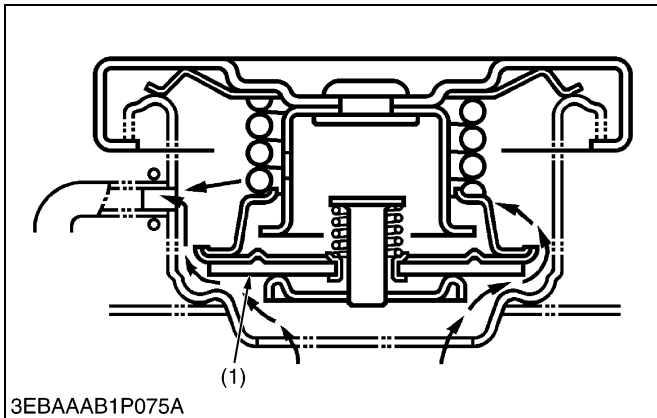
The radiator core consists of coolant carrying tubes (1) and fins (2) meeting at a right angle with the tubes. The fin is a louverless, corrugated type which is light in weight, high in heat exchange ratio and less apt to clog.

The coolant in the tubes is cooled by the air flowing through the tube walls and fins.

- | | |
|----------|------------------------|
| (1) Tube | A : Cooling Air |
| (2) Fin | |

9Y1210318ENM0025US0

[6] RADIATOR CAP



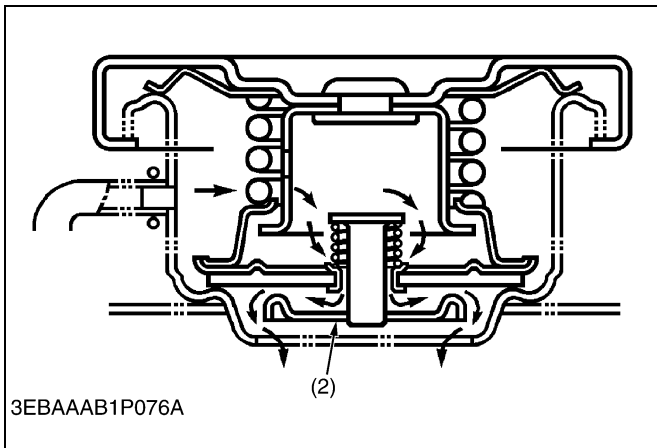
The pressure type radiator cap prevents differences in pressure between the inside and the outside of the radiator from deforming the radiator.

When the coolant temperature rises and the pressure in the radiator increases above the specified pressure, the pressure valve (1) opens to reduce the internal pressure.

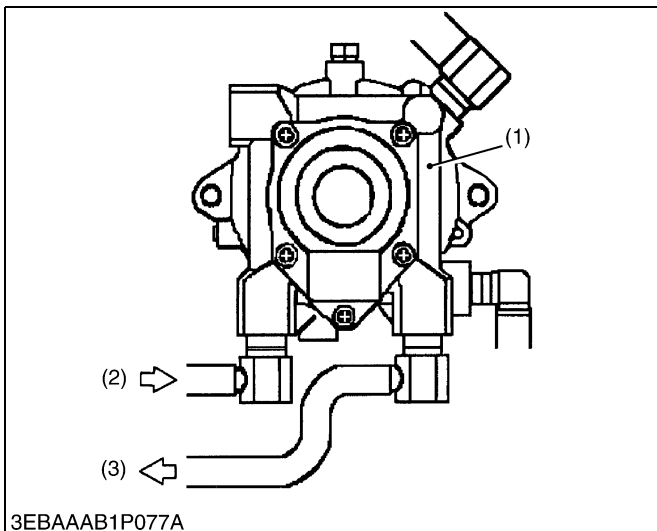
When the coolant temperature falls and a vacuum forms in the radiator, the vacuum valve (2) opens to introduce the air into the radiator.

- (1) Pressure Valve (Opening pressure 88 kPa (0.90 kgf/cm², 13 psi)) (2) Vacuum Valve

9Y1210318ENM0026US0



[7] VAPORIZER (DF972-E2)



When evaporating by primary chamber of vaporizer liquid LPG needs the evaporation heat.

This vaporizer installs the water jacket, throws the coolant of engine, heats primary chamber, promotes evaporation, and prevents valves being frozen.

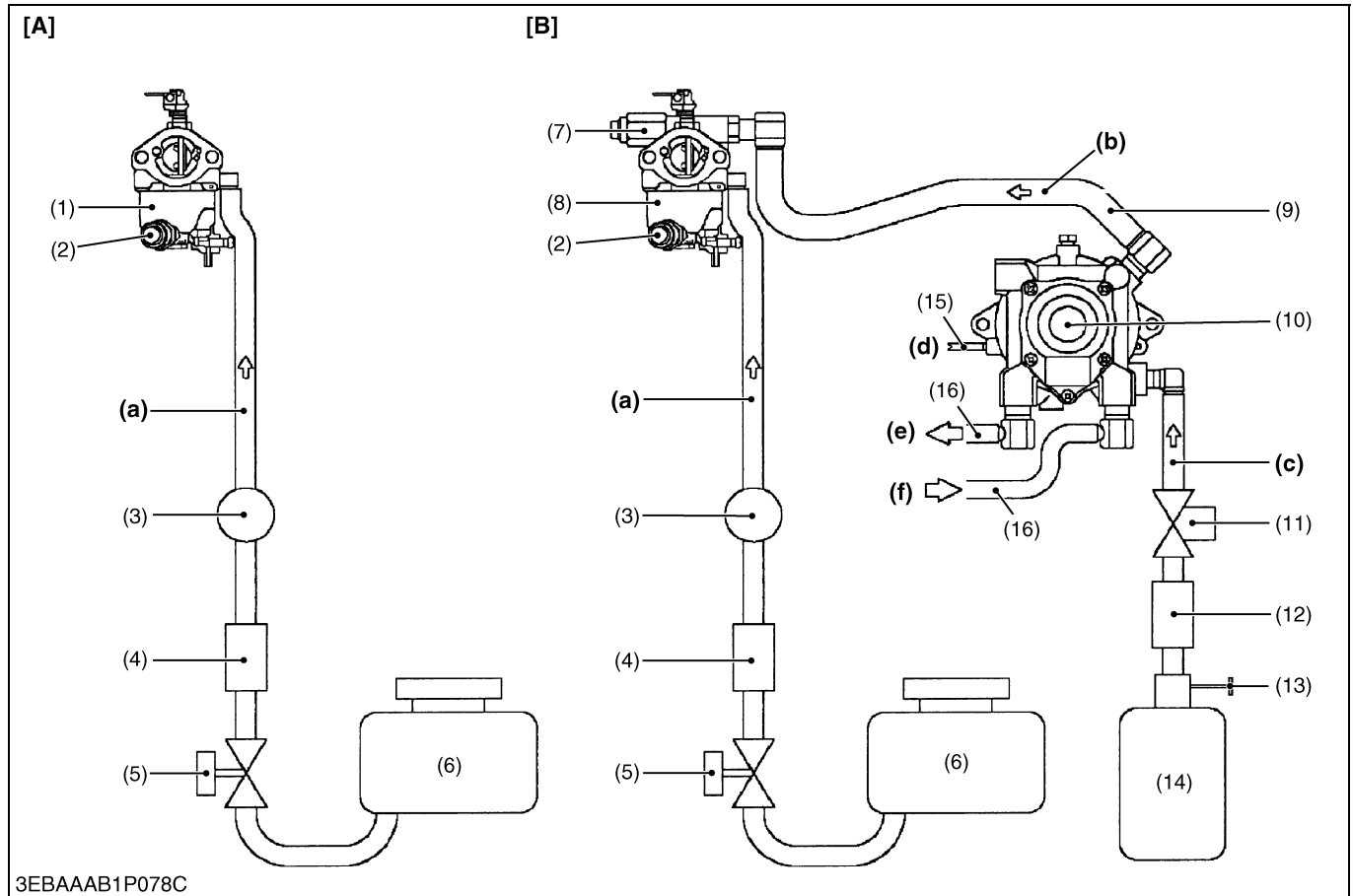
- (1) Vaporizer (3) Hot Coolant Out
(2) Hot Coolant In

9Y1210318ENM0027US0

4. FUEL SYSTEM

[1] GENERAL

(1) WG972-E2, DF972-E2



3EBAAAB1P078C

- (1) WG Carburetor
- (2) Gasoline Cut Off Solenoid
- (3) Fuel Feed Pump
- (4) Fuel Filter
- (5) Gasoline Cock*
- (6) Gasoline Tank*
- (7) LPG Cut Off Solenoid
- (8) DF Carburetor

- (9) Vapor Hose*
- (10) Vaporizer
- (11) LPG Shut Off Solenoid Valve*
- (12) LPG Filter*
- (13) LPG Manual Valve*
- (14) LPG Tank*
- (15) Vacuum Hose*
- (16) Coolant Hose*

- (a) Gasoline Line
- (b) Gaseous Propane Line
- (c) Liquid Propane Line
- (d) Vacuum Line
- (e) Hot Coolant Out Line
- (f) Hot Coolant In Line

[A] WG972-E2
[B] DF972-E2

Component Marked * Is Not Provided by KUBOTA

WG972-E2:

The fuel is fed from the gasoline tank (6) through the fuel filter (4) to the WG carburetor (1) by the fuel feed pump (3).

DF972-E2:

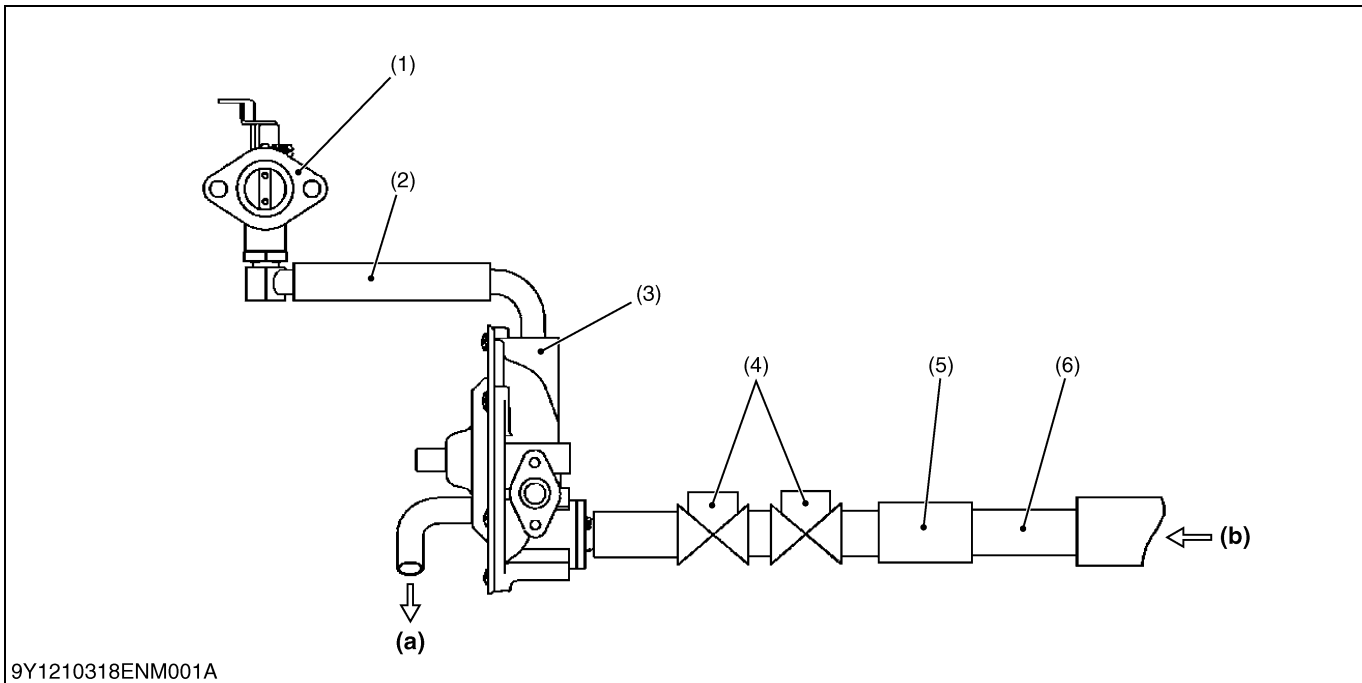
This fuel system has 2 ways. Gasoline fuel is the same as WG972-E2.

For LPG fuel, the liquid fuel stored in the LPG tank (14) is sent to vaporizer (10) by pressure in the gaseous phase in the tank through the LPG filter (12) and LPG shut off solenoid valve (11).

The liquid fuel is evaporated in vaporizer and is sent to the DF carburetor (8) as a gaseous fuel of gas pressure near the atmospheric pressure. The DF carburetor (8) mixes the gas and air is supplied in the cylinder.

9Y1210318ENM0028US0

(2) DG972-E2



- | | | | |
|---------------|-----------------------------|-----------------|---------------|
| (1) Gas Mixer | (3) Gas Regulator | (5) Fuel Filter | (a) Air Vent |
| (2) Gas Hose | (4) Shut Off Solenoid Valve | (6) Gas Hose | (b) Fuel Line |

DG972-E2 :

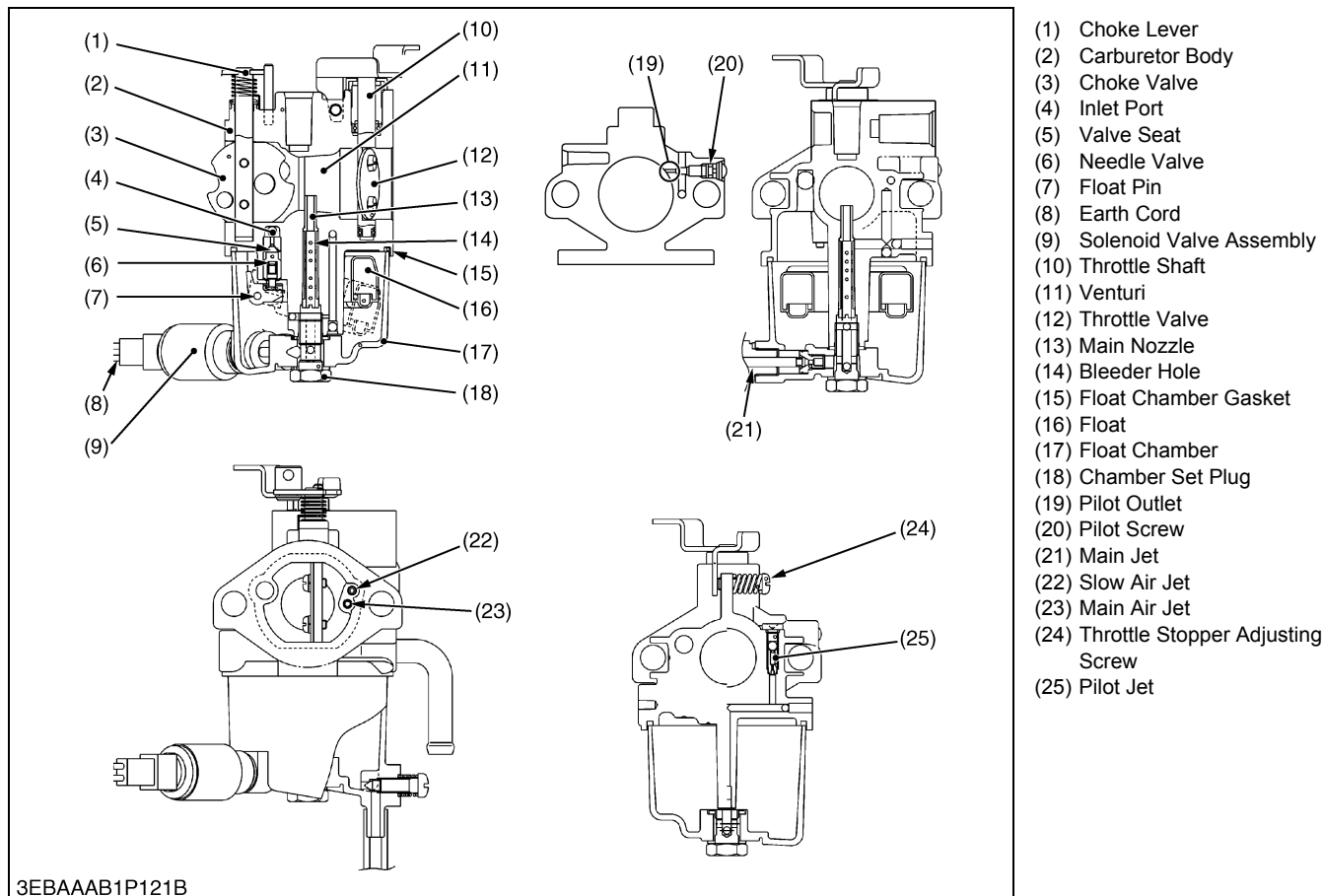
Natural gas is sent from the gas source through the fuel filter (5), the shut off solenoid valve (4), and the gas regulator (3) to the gas mixer (1), and mixed with air.

Then, mixture gas is sent to the cylinder by negative pressure of the suction stroke.

9Y1210318ENM0029US0

[2] CARBURETOR AND GAS MIXER

(1) Carburetor (WG972-E2)



Designed for general purpose use, this carburetor provides engines with the ideal fuel-air mixture for all speed ranges.

1) Float Chamber

When the gasoline in the fuel tank flows into the float chamber (17), the float (16) rises and, when a predetermined amount of gasoline is in the chamber, it pushes the needle valve (6) against the valve seat (5) to stop additional gasoline from entering through the inlet port (4). As the gasoline is consumed, the float goes down and more gasoline is led into the chamber to maintain a constant distance between the main nozzle (13) and the level of the gasoline.

2) Starting System

To start an engine in cold weather, the fuel-air mixture must be richer than normal. A choke valve (3) controlled by the choke lever (1) is provided to enrich the mixture.

As the choke valve is closed, the air supply is restricted to make the mixture rich. This rich mixture is then supplied to the intake manifold to facilitate starting.

3) Slow System

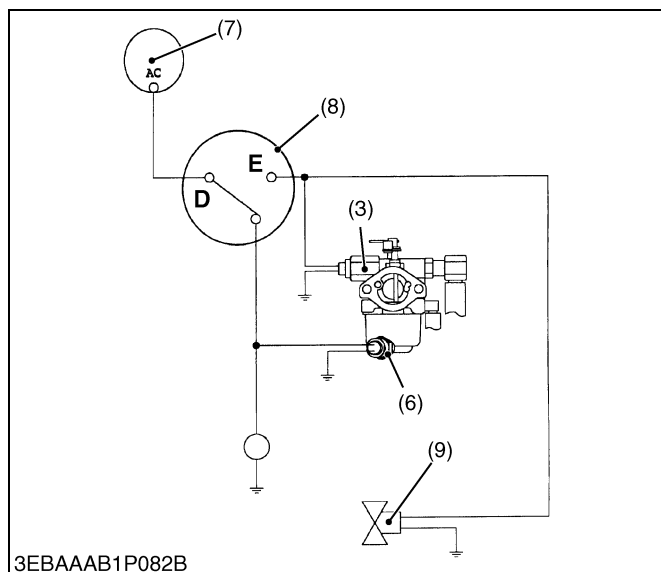
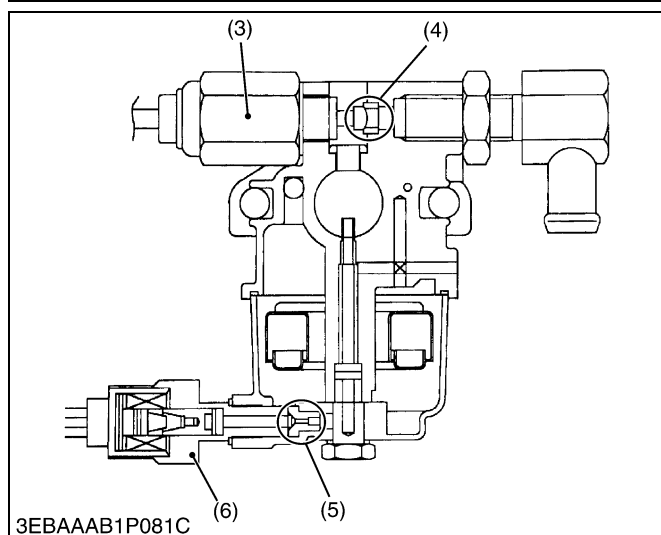
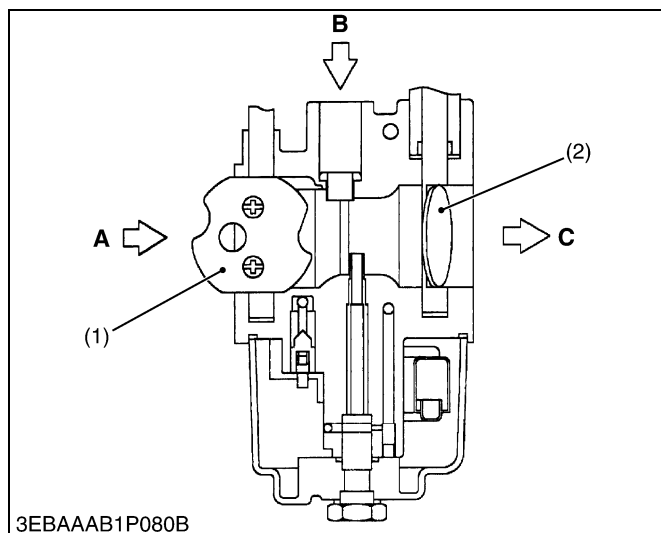
When the throttle valve (12) closes, air that flows into the cylinder passes along the valve at a high speed. As a result, a negative pressure is created in the pilot outlet (19) which has an outlet port in the inner wall. This causes gasoline in the main nozzle (13) to flow through the pilot jet (25) to be sucked into the cylinder. Air that enters from the slow air jet (22) is mixed with gasoline in the pilot jet (25), atomized in an appropriate condition, sprayed from the pilot outlet (19) and sucked into the cylinder through the main passage. The slow speed of the engine is controlled by changing the jet area with the pilot jet (25).

4) Main Carburetor System

The speed of air that flows into the cylinder increases when it passes the venturi (11), and the negative pressure increases as a result at the tip of the main nozzle (13). The negative pressure causes the gasoline in the float chamber (17) to flow through the main jet (21) and to be sucked into the main nozzle (13). Air which flows from the main air jet (23) into the bleeder hole (14) of the main nozzle (13) is mixed with gasoline, atomized in an appropriate condition, then sprayed from the nozzle tip to the venturi (11) and sucked with the main air into the cylinder.

9Y1210318ENM0030US0

(2) Carburetor (DF972-E2)



NOTE

- DF Carburetor operates the same as a gasoline carburetor in gasoline fuel.

With the fuel select switch (8) in the "GASOLINE" position "D" and the main switch in the "ON" position, the battery current flows to the gasoline cut off solenoid (6). Therefore gasoline fuel in the float chamber flows to the mixing chamber.

When the fuel select switch (8) is turned to the "LPG" position "E", the battery current stops to the gasoline cut off solenoid (6) and flows to the LPG cut off solenoid (3) and LPG shut off solenoid valve (9).

Then, the gasoline fuel flow is shut and LPG fuel flows to the mixing chamber.

The mixer meters both fuel and air, and procedures an air / fuel mixture that has the proper ratio as required by the engine.

When the engine starts, the LPG fuel flows out from main jet (4) to venture a constant amount and is mixed with air quantity corresponding to the opening of the throttle valve (1) and is supplied to the cylinder.

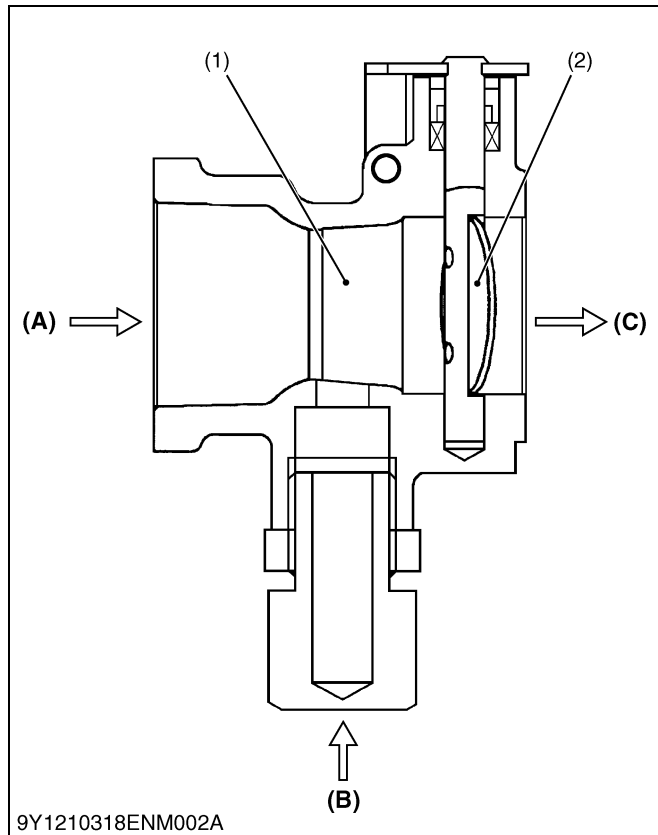
When the main switch (7) turned to the "OFF" position, the battery current stops to the both of solenoids.

Then, both gasoline fuel and LPG fuel can not flow to the mixing chamber.

- | | |
|---------------------------------|---------------------------------|
| (1) Choke Valve | A : Air |
| (2) Throttle Valve | B : LPG Fuel (gaseous) |
| (3) LPG Cut Off Solenoid | C : Mixture (Air / Fuel) |
| (4) LPG Main Jet | D : Gasoline Position |
| (5) Gasoline Main Jet | E : LPG Position |
| (6) Gasoline Cut Off Solenoid | |
| (7) Main Switch | |
| (8) Fuel Select Switch | |
| (9) LPG Shut Off Solenoid Valve | |

9Y1210318ENM0031US0

(3) Gas Mixer (DG972-E2)



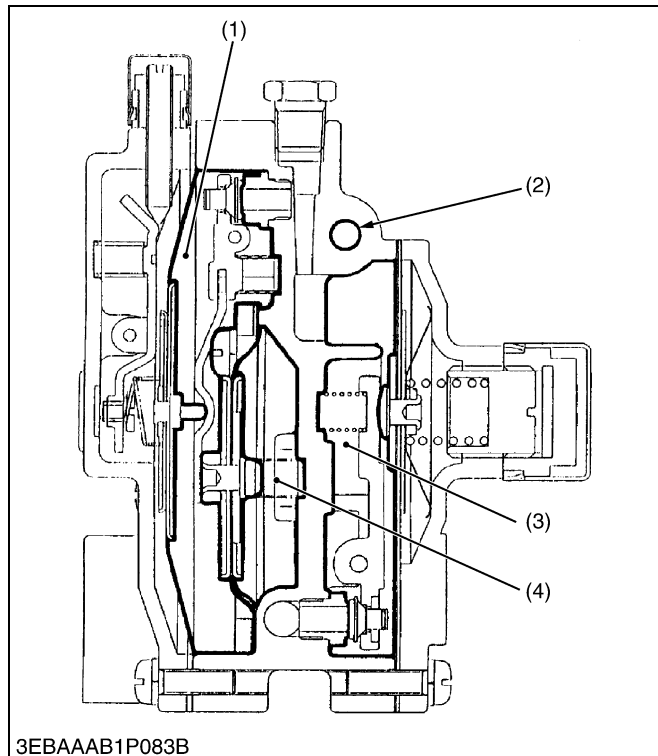
The gas mixer is equipment to mix the fuel supplied from the regulator with air and to send the mixture to the cylinder.

- (1) Venturi
- (2) Throttle Valve

- (A) Air
- (B) Natural Gas
- (C) Mixture (Air / Natural Gas)

9Y1210318ENM0032US0

[3] VAPORIZER (DF972-E2)



Vaporizer is a device which converts the liquid fuel into the gaseous fuel and the following structures and functions are possessed.

■ **Primary Chamber**

The liquid fuel is decompressed (the first decompression) and it is evaporated.

■ **Secondary Chamber**

The fuel which flows in is decompressed from the primary chamber to the vicinity of the atmospheric pressure further (the second decompression).

■ **Water Passage**

The coolant of the engine is made to circulate as a heat source to evaporate the LPG.

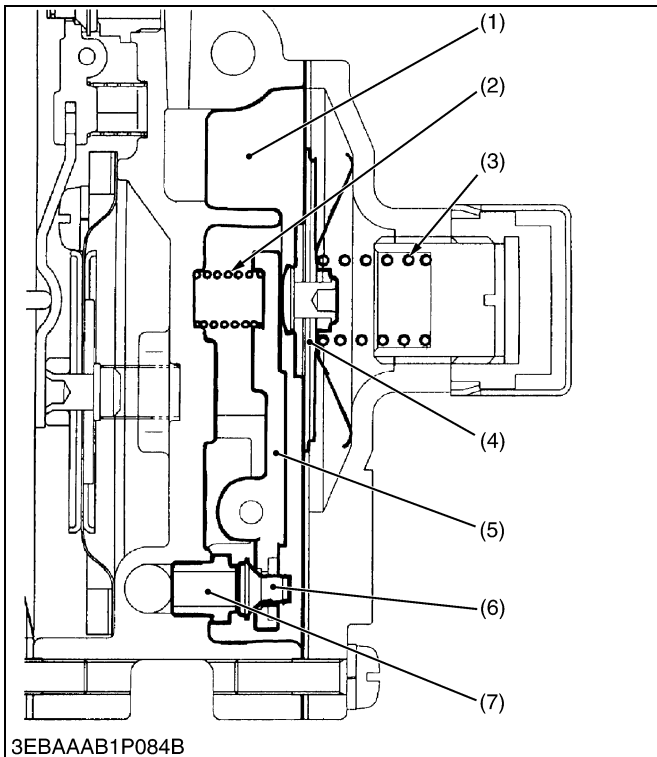
■ **Vacuum Lock Chamber**

When the engine stops, the fuel from primary chamber is prevented from flowing out.

- (1) Secondary Chamber
- (2) Water Passage

- (3) Primary Chamber
- (4) Vacuum Lock Chamber

9Y1210318ENM0033US0



Primary Chamber

The liquid fuel which pushes the primary valve (6) open passes between the valve and the valve seat (7), enters primary chamber (1), and decompresses and is evaporated.

When the inflow of the fuel continues and the primary chamber pressure rises more than the specified pressure 32.7 kPa (0.3 kgf/cm², 4.3 psi), the tension in the diaphragm spring (3) is overcome and do the push up of primary diaphragm (4).

At this time, do the push up of primary valve lever spring (2) of primary valve lever (5), primary valve (6) is shut, and the inflow of the fuel is intercepted.

The tension in the diaphragm spring (3) grows more than the primary chamber pressure when the fuel is consumed and the primary chamber pressure lowers more than a regulated value and a primary diaphragm is depressed below.

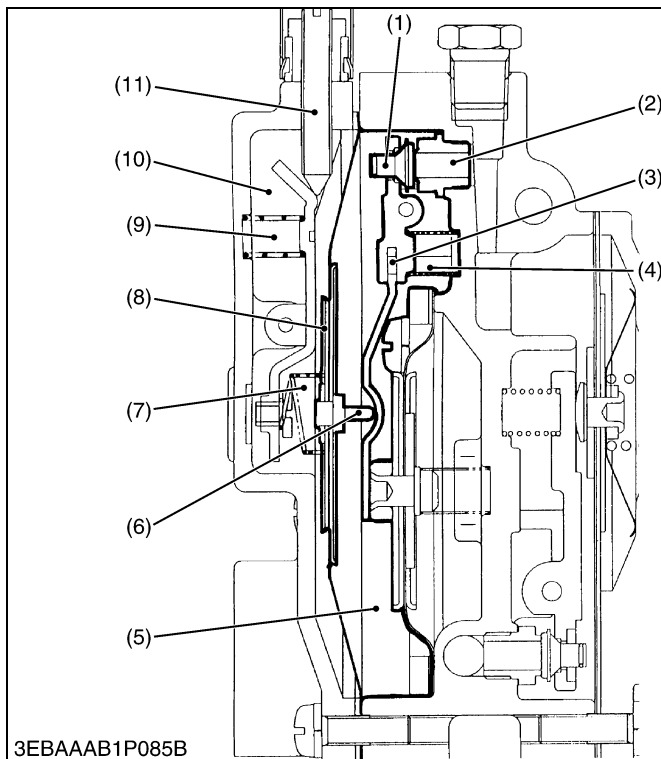
The primary valve lever (5) is depressed at the same time.

A primary valve opens and the fuel flows in again.

When the diaphragm tears by any chance and the fuel flows in the primary diaphragm spring side, the primary diaphragm spring side is connected with second chamber in the balance passage so that the fuel should not flow out outside.

- | | |
|--------------------------------|-------------------------|
| (1) Primary Chamber | (5) Primary Valve Lever |
| (2) Primary Valve Lever Spring | (6) Primary Valve |
| (3) Primary Diaphragm Spring | (7) Valve Seat |
| (4) Primary Diaphragm | |

9Y1210318ENM0034US0



3EBAAAB1P085B

Secondary Chamber

The fuel adjusted with primary chamber to the specified pressure enters secondary chamber (5) between secondary valve (1) and the valve seat (2) and is decompressed to the vicinity of the atmospheric pressure almost.

A secondary valve is assembled to a part of the secondary valve lever (3) supported to body and is shut by the tension of the spring of a secondary valve spring (4).

A secondary diaphragm pin (6) touches the edge besides this lever (3).

The one side of secondary diaphragm (8) is faced in secondary chamber and the other side faces atmosphere chamber (10).

When the engine stops, the atmospheric pressure is led in secondary chamber and a secondary valve is shut by the tension of a secondary valve spring.

When the engine rotates, the negative pressure is generated in the venturi tube of the mixer.

As for this negative pressure, working secondary diaphragm (8) is pulled to the second chamber side by the difference pressure with atmosphere chamber by second chamber.

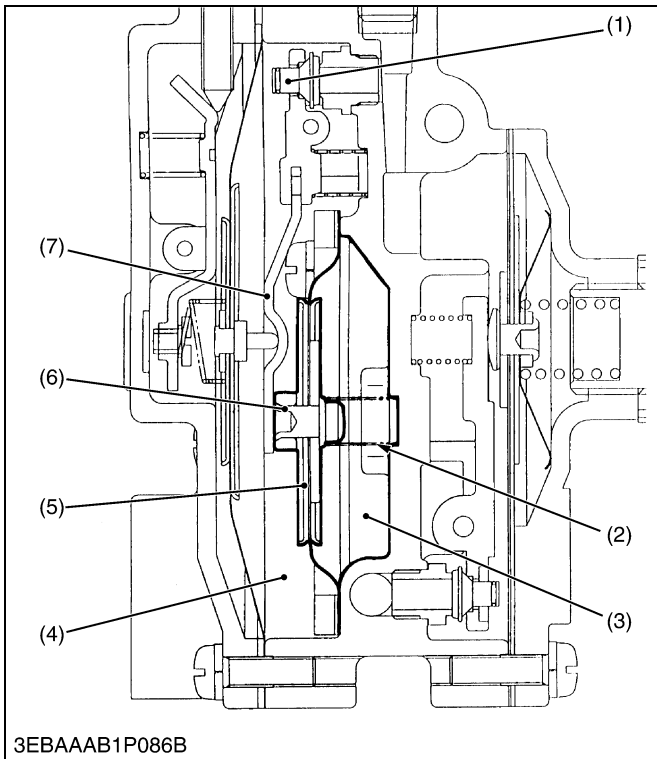
Do the push up of the secondary valve lever (3) by this working, secondary valve is opened, and the fuel flows in.

When pressure in chamber rises by the fuel which flows in, the diaphragm is pushed to the atmosphere chamber side and narrows the opening of the valve and decreases the supply of the fuel.

Secondary chamber is almost maintained in the atmospheric pressure by the thing to repeat such working.

- | | |
|----------------------------------|--------------------------|
| (1) Secondary Valve | (6) Diaphragm Pin |
| (2) Valve Seat | (7) Balance Spring |
| (3) Secondary Valve Lever | (8) Secondary Diaphragm |
| (4) Secondary Valve Lever Spring | (9) Balance Lever Spring |
| (5) Secondary Chamber | (10) Atmosphere Chamber |
| | (11) Idle Adjust Screw |

9Y1210318ENM0035US0



Vacuum Lock Chamber

1) Operation when engine stops

Because pressure on the vacuum lock chamber (3) side and the secondary chamber (4) side is equal, vacuum lock diaphragm (5) is pushed to the second chamber side by the tension of vacuum lock diaphragm spring (2).

Secondary valve and the seat are made to close as vacuum lock diaphragm pin (6) pushes secondary valve lever (7) and the fuel leakage is prevented.

2) Operation at engine starting

The negative pressure is caused in inlet manifold at the same time as the cranking's beginning.

This negative pressure acts in vacuum lock chamber (3) and vacuum lock diaphragm (5) is drawn to the vacuum lock chamber side.

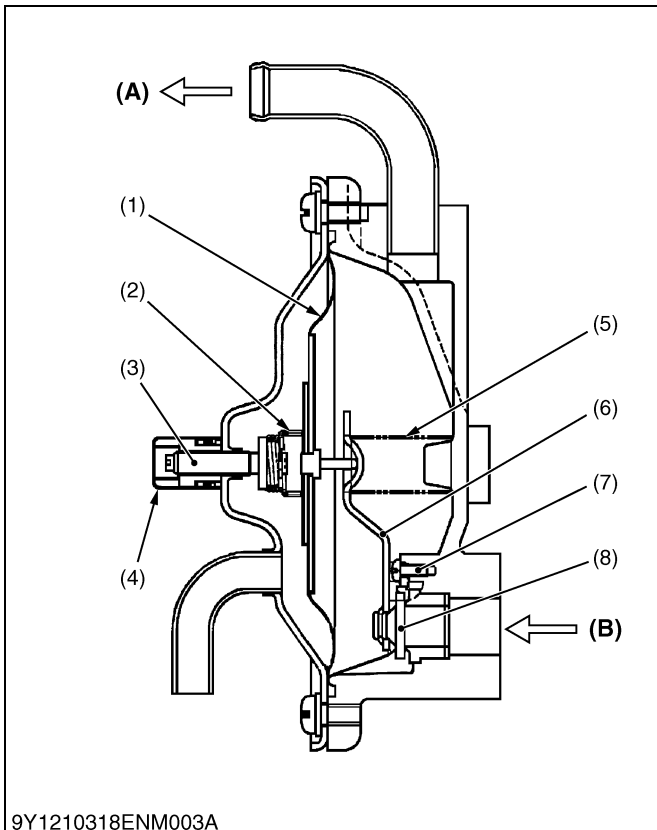
As a result, the movement of secondary valve lever (7) becomes free and the fuel inflow adjustment due to secondary valve (1) becomes possible.

The negative pressure in inlet manifold always works while the engine is rotating and the movement of secondary valve lever is tuned to the movement of secondary diaphragm.

- (1) Secondary Valve
- (2) Vacuum Lock Diaphragm Spring
- (3) Vacuum Lock Chamber
- (4) Secondary Chamber
- (5) Vacuum Lock Diaphragm
- (6) Diaphragm Pin
- (7) Secondary Valve Lever

9Y1210318ENM0036US0

[4] REGULATOR (DG972-E2)



The regulator is equipment that regulates the fuel pressure supplied to the gas mixer to be constant.

The negative pressure of the suction stroke makes the inside pressure of the regulator negative.

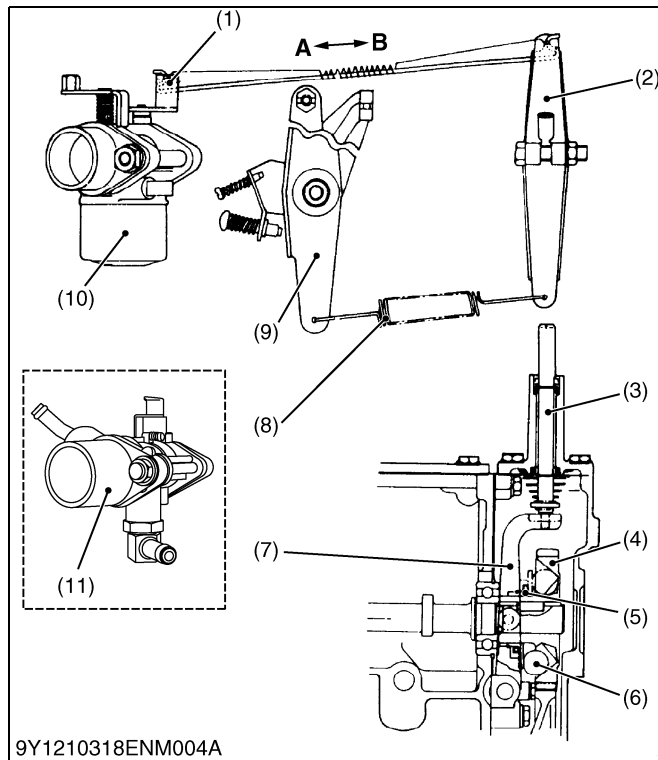
The negative pressure of the regulator makes the diaphragm (1) push the lever (6).

Pushing the lever (6) opens the valve (8), with the screw (7) acting as a fulcrum, which makes the fuel suctioned.

- (1) Diaphragm
 - (2) Balance Spring
 - (3) Balance Screw
 - (4) Tamper Cap
 - (5) Spring
 - (6) Lever
 - (7) Screw
 - (8) Valve
- (A) OUT
(B) IN

9Y1210318ENM0037US0

[5] GOVERNOR



9Y1210318ENM004A

The engine is equipped with a centrifugal ball mechanical governor which activates the throttle in response to engine speed.

When the engine is carrying a load and running at rated speed, the speed will drop if the load is increased even slightly. In this case, the governor automatically opens the throttle valve of the carburetor to maintain the original speed.

Dumping the load suddenly will cause a rapid increase in speed. In this case, the governor automatically moves the throttle valve in closing direction to prevent the engine from increasing its speed.

1) When engine is carrying a load and running at rated speed

When there is no change in load, the centrifugal force of the ball (6) which is attached to the governor gear (4) balances with the tensile force of the governor spring (8) via governor sleeve (5), fork lever (7), governor lever shaft (3) and governor lever (2). The engine speed and output are thus kept constant.

2) When load is applied to engine

When the load is applied to the engine running at rated speed, the speed of the governor gear (4) which is connected to the idle gear decreases. As a result, the centrifugal force of the ball (6) becomes smaller. The tensile force of the spring (8) overcomes the centrifugal force, and the governor lever (2) causes the throttle lever (1) to move in the open direction (B). The original engine speed is thus maintained.

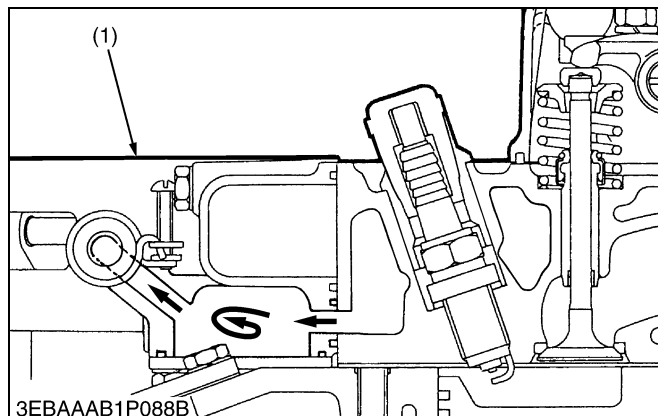
3) When load is dumped

When the load is dumped suddenly, the centrifugal force of the ball (6) overcomes the tensile force of the spring (8). As a result, the governor lever (2) causes the throttle lever (1) to move in the shut direction (A) and prevents the engine from increasing its speed.

- | | |
|--------------------------|--------------------------------------|
| (1) Throttle Lever | (9) Speed Control Lever |
| (2) Governor Lever | (10) WG Carburetor,
DF Carburetor |
| (3) Governor Lever Shaft | (11) DG Gas Mixer |
| (4) Governor Gear | |
| (5) Governor Sleeve | |
| (6) Ball | A : Shut Direction |
| (7) Fork Lever | B : Open Direction |
| (8) Governor Spring | |

9Y1210318ENM0038US0

[6] INLET MANIFOLD



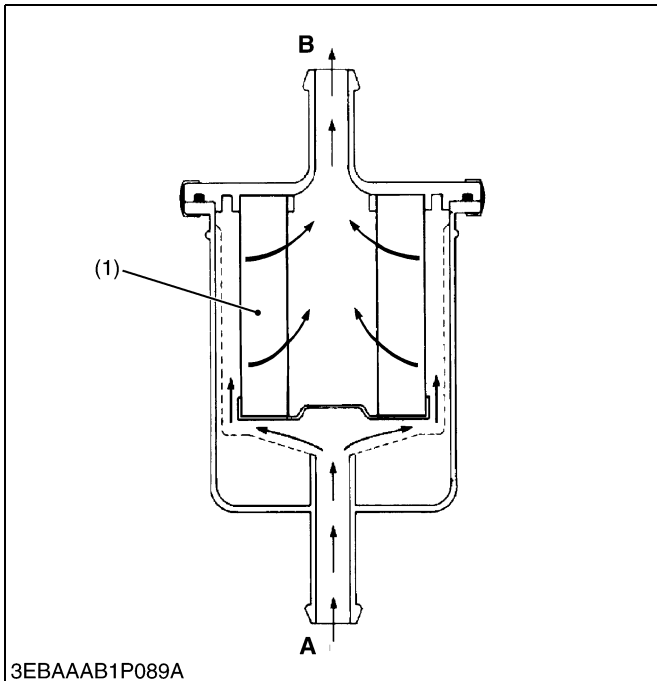
3EBAAAB1P088B

Part of coolant heated in the water jacket is channeled to the inlet manifold, where the hot coolant heats the fuel-air mixture for better carburation. Heating effect is particularly good when the engine is running at low speeds and with light load in cold weather, thus improving fuel economy and acceleration.

- (1) Intake Manifold

9Y1210318ENM0039US0

[7] FUEL FILTER (FOR GASOLINE LINE)



3EBAAAB1P089A

The fuel filter is installed in the fuel line between the fuel tank and the feed pump.

As the fuel flows from the inlet (A) through the filter element (1), the dirt and impurities in the fuel are filtered, allowing only clean fuel to penetrate the inside of the filter element. The cleaned fuel flows out from the outlet (B).

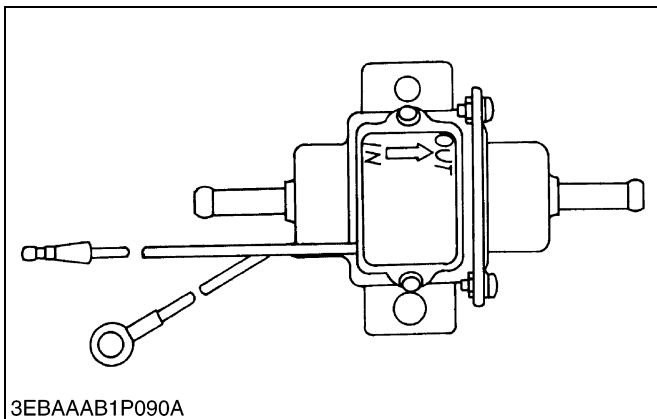
Type of filter element	Accordion-pleated paper type
Material of filter element	Cotton fiber
Filter mesh	15 μm (0.00059 in.)

(1) Filter Element

A : Inlet
B : Outlet

9Y1210318ENM0040US0

[8] ELECTRO MAGNETIC FUEL FEED PUMP (FOR GASOLINE LINE)



3EBAAAB1P090A

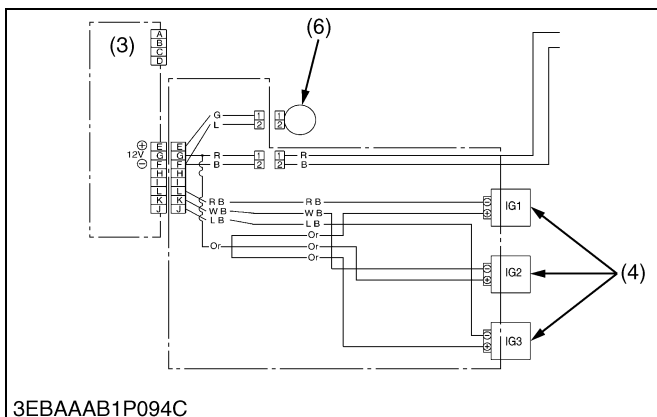
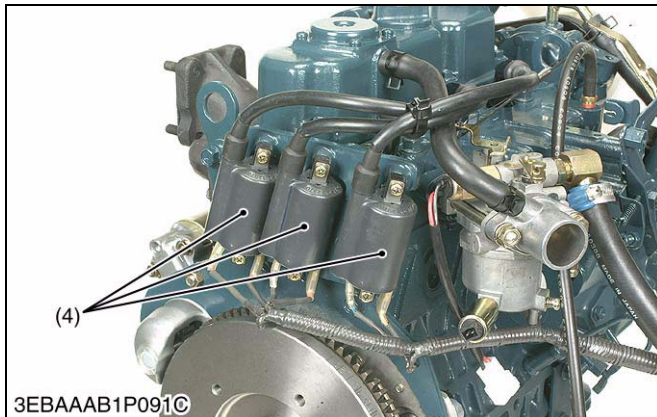
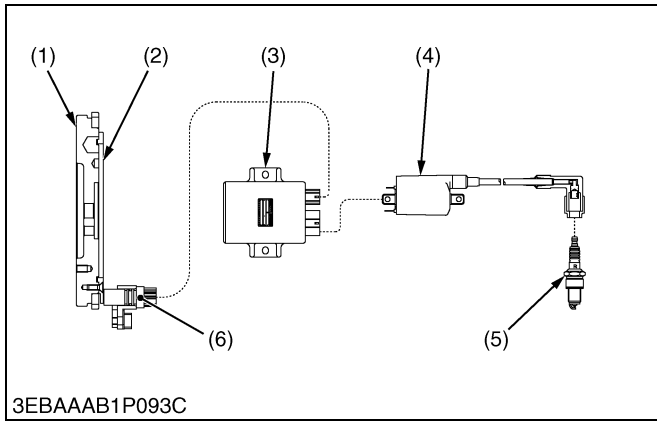
An electro magnetic pump uses a transistor that causes the pump to start pumping fuel when the engine is switched on.

Therefore, fuel is supplied to the carburetor regardless of engine speed. This pump is driven by the battery. It can therefore be operated even with the engine being stopped.

9Y1210318ENM0041US0

5. IGNITION SYSTEM

[1] DIGITAL IGNITION SYSTEM



General

The function of an ignition system is to provide the electrical spark that ignites the air/fuel mixture in the cylinder at precisely the correct time.

For this purpose, the pick-up sensor (6) detects voltage waveform according to the shape of the rotor (2) that is built into the flywheel (1). The voltage waveform signal is fed to the igniter (3), in which the signal is converted by a microprocessor to the angular and rpm data that corresponds to each cylinder. Based on this information, an optimum timing is figured out by the microprocessor to cut off the current that flows to the ignition coil (4) of each cylinder. The duration of current flowing to the ignition coil (4) is also controlled. In this way, a high voltage is generated at the secondary winding of the ignition coil (4), which activates the spark plug (5).

Without any mechanical contact, the ignition system is digitally microprocessor-controlled for greater reliability and higher precision.

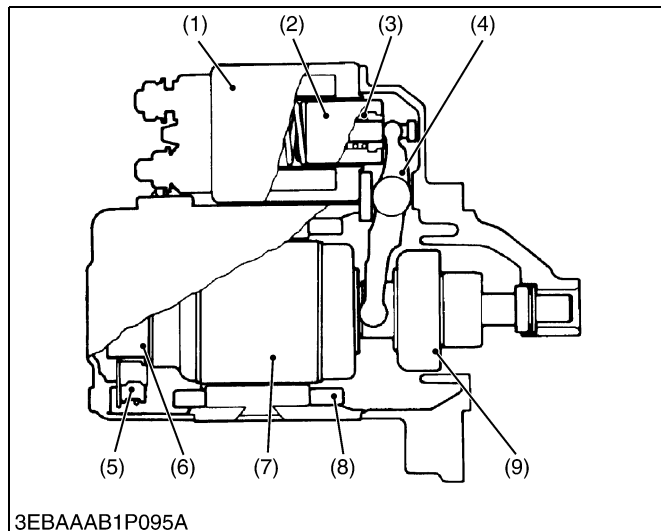
- Control at ignition time :
The ignition time is controlled according to the engine speed.
- Control at energizing time :
The energizing time of the ignition coil is controlled according to the engine speed.
- Lock prevention :
Intercept the current of the coil for the damage prevention of the coil when the ignition switch is energized to the coil as turning on.
- Lock prevention :
Intercept the current of the coil for the damage prevention of the coil when the ignition switch is energized to the coil as turning on.

- | | |
|--------------|--------------------|
| (1) Flywheel | (4) Ignition Coil |
| (2) Rotor | (5) Spark Plug |
| (3) Ignitor | (6) Pick-up Sensor |

9Y1210318ENM0042US0

6. ELECTRICAL SYSTEM

[1] STARTING SYSTEM



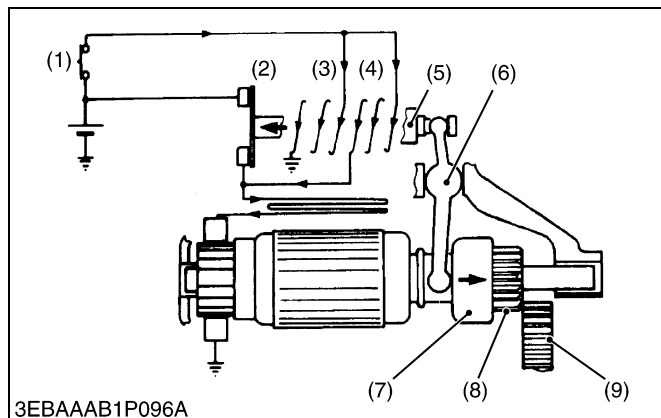
Starter

The starter is the electromagnetic drive type.

Type of motor	DC, Series-wound, Electromagnetic drive
Nominal output	12V
Nominal output	1.0 kW
Nominal output	30 seconds (Do not rotate continuously for longer periods.)
Direction of rotation	Clockwise as viewed from pinion side

- (1) Solenoid Switch
- (2) Plunger
- (3) Spring
- (4) Shift Lever
- (5) Brush
- (6) Commutator
- (7) Armature
- (8) Field Coil
- (9) Overrunning Clutch

9Y1210318ENM0043US0



Operation of Starter

[When key switch is turned to "START" position]

The contacts of key switch (1) close and the holding coil (3) is connected to the battery to pull the plunger (5).

The pull-in coil (4) and the starting motor are also connected to the battery.

The pinion (8) is pushed against the ring gear (9) with the overrunning clutch (7) by the shift lever (6) and the magnetic switch is closed.

[When the solenoid switch is closed]

The current from the battery flows through the solenoid switch (2) to the starting motor.

The pinion (8), which is pushed against the ring gear (9) and rotated along the spline, meshes with the ring gear to crank the engine.

The engine starts and increases its speed.

While the pinion spins faster than the armature, the overrunning clutch (7) allows the pinion to spin independently from the armature.

The pull-in coil (4) is short-circuited through the solenoid switch (2) and the key switch (1).

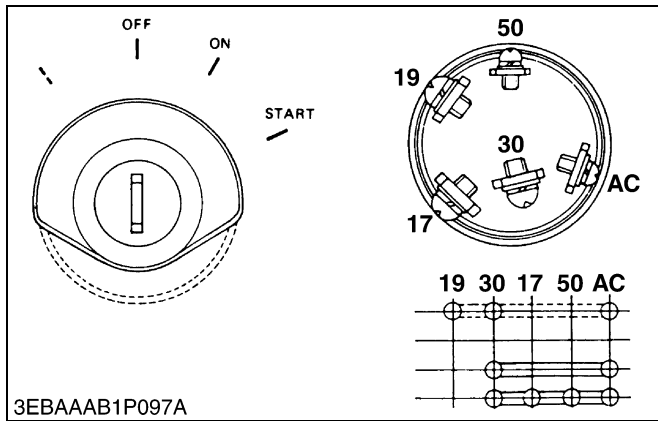
[When the key switch is released]

The current from the battery flows to the holding coil (3) through the pull-in coil (4) to diminish the magnetism between them.

The plunger (5) is pushed by the spring to pull in the pinion.

- (1) Key Switch
- (2) Solenoid Switch
- (3) Holding Coil
- (4) Pull-in Coil
- (5) Plunger
- (6) Shift Lever
- (7) Overrunning Clutch
- (8) Pinion
- (9) Ring Gear

9Y1210318ENM0044US0



Key Switch

The key switch has 4 positions. The terminal "30" is connected to the battery.

It is released at the "START" position and returns to the "ON" position.

[START]

When the key is turned to the "START" position, through the "ON" position the current supplied to the starter to regulator, oil lamp and accessory.

- 50 to starter
- 30 from battery
- AC to regulator, oil lamp and accessory

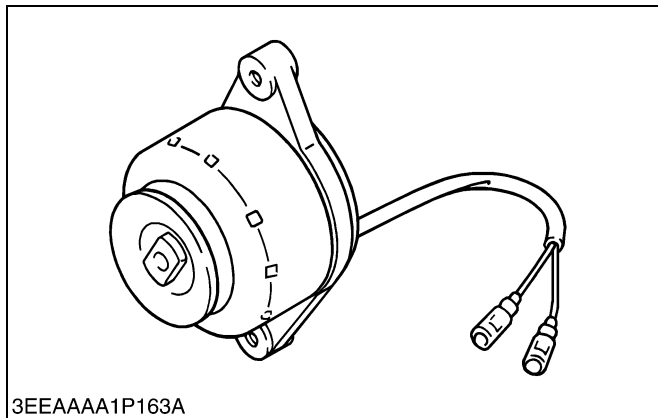
[ON]

Only the terminal "AC" is connected to the battery. At any position of the key except the "OFF" position, the terminal "AC" is connected to the "30" terminal.

- 30 from battery
- AC to regulator, oil lamp and accessory

9Y1210318ENM0045US0

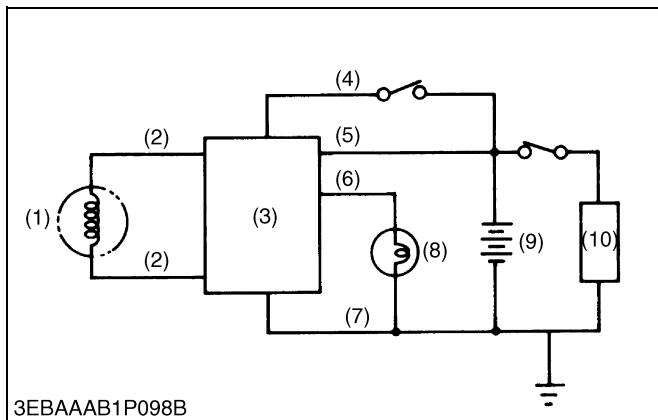
[2] CHARGING SYSTEM



Alternator

This alternator is an 8-8 pole rotating magnet type generator. It is simple in construction, consisting of a stator and rotor. The rotor is made up of eight permanent magnet pole pieces assembled on a shaft and rotates on the center of the stator around which eight electromagnetic coils are provided for. This alternator produces higher voltage in slow speed rotation, and charges electric current to the battery during engine idling.

9Y1210318ENM0046US0



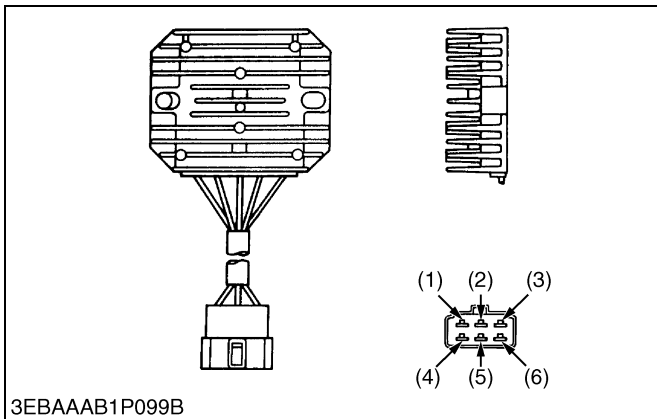
Regulator

The regulator performs rectification and voltage regulation. The regulator converts AC into DC which flows through the power consuming circuits and the battery, and also charges the battery. If however, the battery voltage exceeds a certain level. The DC current is cut off from the charging circuit to prevent overcharging.

Model	RS5155
Part No.	RP201-53710
Weight	Approx. 200 g
Regulated voltage	14 to 15 V
Battery to be used	12 V, 28 AH
Charge indication lamp	12 V, 3.4 W
Alternator to be used	Under 100 V of peak value of no-load voltage Under 16 A of output current

- (1) Alternator
- (2) Blue Lead Wire
- (3) Regulator
- (4) Yellow Lead Wire
- (5) Red Lead Wire
- (6) Overrunning Clutch
- (7) Black Lead Wire
- (8) Charge Lamp
- (9) Battery
- (10) Load

9Y1210318ENM0047US0



Features

1. This small-sized regulator can control large output current because charging current is supplied and stopped by thyristor (series system).
2. Built-in AC diode generation detecting circuit permits a charge indication lamp (12 V, 3.4 W) to be easily connected.
3. Protection diode protects regulator when battery is wrongly connected.

- | | |
|---------------------|----------------------|
| (1) Blue Lead Wire | (4) Green Lead Wire |
| (2) Black Lead Wire | (5) Yellow Lead Wire |
| (3) Blue Lead Wire | (6) Red Lead Wire |

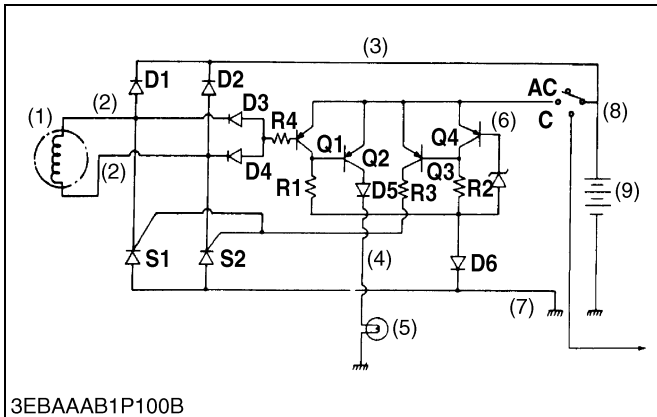
9Y1210318ENM0048US0

Charging Mechanism

The charging mechanism is described in four sections.

1. When key switch is "ON".
2. At starting
3. In charging
4. Over-charge protection

- | |
|--|
| (1) GEN : Magnet type AC generator |
| (2) Blue : GEN connecting terminal |
| (3) Red : BATT + connecting terminal |
| (4) Green : LAMP connecting terminal |
| (5) LAMP : Charge indication lamp (not included in the basic engine) |
| (6) Yellow : BATT voltage test terminal |
| (7) Black : BATT - connecting terminal |
| (8) KEY SW : Key switch |
| (9) BATT : Battery (not included in the basic engine) |



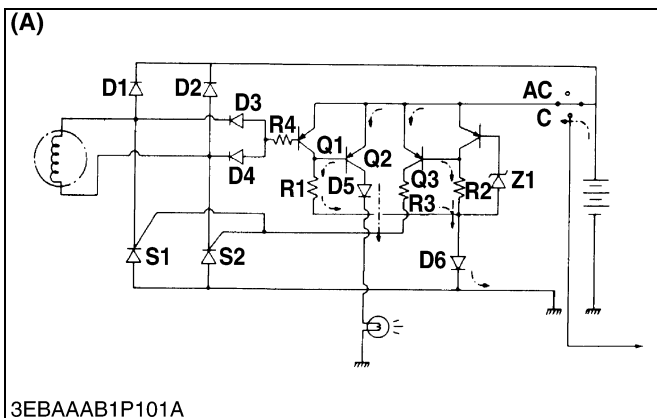
- S1, S2 : Output control / rectification thyristor (SCR)**
- D1, D2 : Output rectifying diode**
- D3, D4 : GEN generation detecting diode**
- D5, D6 : Protection diode for wrong connecting of BATT**
- Z1 : BATT terminal voltage setting diode**
- Q1 : GEN generation detecting transistor**
- Q2 : LAMP on / off transistor**
- Q3 : Gate current control transistor**
- Q4 : BATT voltage detecting transistor**

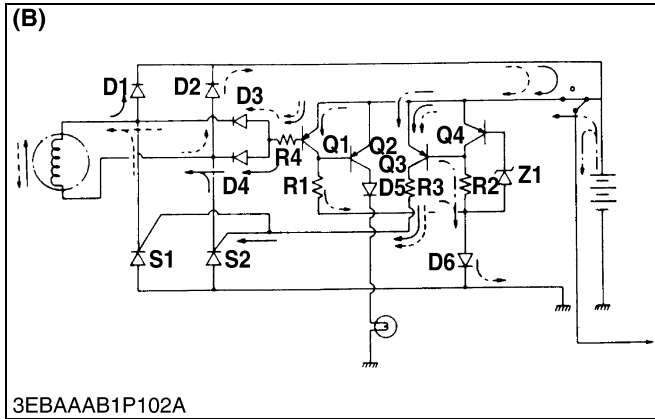
9Y1210318ENM0049US0

1. When Key Switch is "ON"

When the engine is at standstill with key switch set at position 1, the circuit functions to light LAMP, as shown in figure (A). With key switch at position 1, current flows to base of Q2 through the route of BATT → emitter / base of Q2 → R1 → D6 → BATT and collector of Q2 is then turned on. As a result, current also flows to LAMP through the route of BATT → emitter / collector of Q2 → D5 → LAMP → BATT lighting LAMP to indicate that charging is not carried out. At this time, through current flows to base of Q3 through the route of BATT → emitter / base of Q3 → R2 → D6 → BATT, collector of Q3 has no current because GEN is stationary.

9Y1210318ENM0050US0



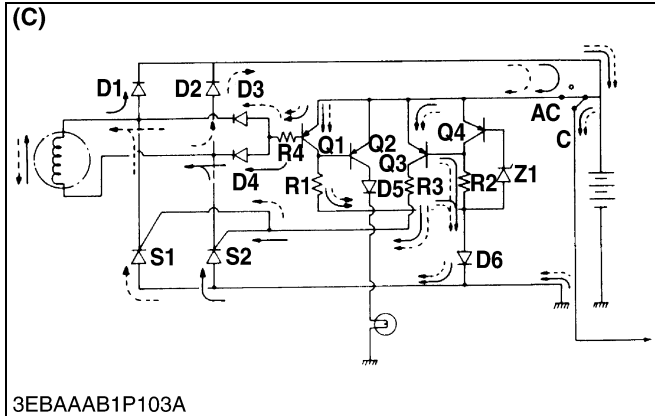


2. At Starting

When key switch is turned to position 2, coil of starter relay is energized and starter starts engine. GEN also starts generation for charging and LAMP is turned off.

In detail, with GEN starting, current flows to base of **Q1** through the route of GEN → **D1** → emitter / base of **Q1** → **R4** → **D4** → GEN, or GEN → **D2** → emitter / base of **Q1** → **R4** → **D3** → GEN, and therefore current also flows through **Q1**, shortcircuiting emitter and base of **Q2**. As a result, base current of **Q2** is interrupted, **Q2** is turned off and accordingly current to LAMP is also interrupted.

9Y1210318ENM0051US0



3. In Charging

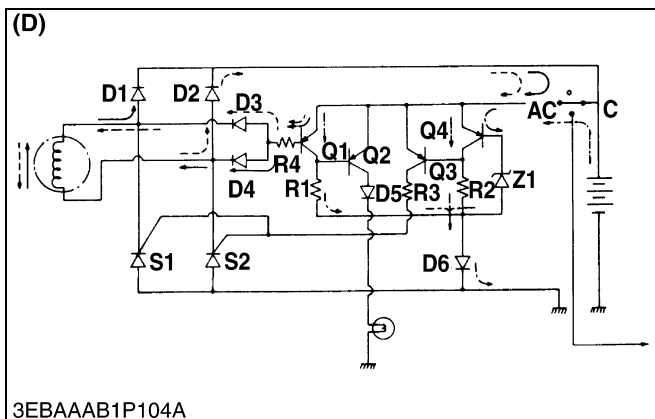
Because BATT terminal voltage just after engine start is lower than setting value (14 to 15 V), or lower than zener level of **Z1**, current is not supplied to base of **Q4** and **Q4** is off, as shown in figure (B). **Q3** is on with base current which flows through the route of BATT → emitter / base of **Q3** → **R2** → **D6** → BATT, and gate current is supplied to **S1** or **S2** through the route of GEN → **D1** → emitter / collector of **Q3** → **R3** → gate / cathode of **S2** → GEN, or GEN → **D2** emitter / collector of **Q3** → **R3** → gate / cathode of **S1** → GEN.

When engine speed is increased so that GEN generation voltage becomes higher than BATT terminal voltage, **S1** or **S2** is turned on and, as shown in figure (C), charge current is supplied to BATT through the route of GEN → **D1** → BATT → anode / cathode of **S2** → GEN, or GEN → **D2** → BATT → anode / cathode of **S1** → GEN.

After **S1** or **S2** is turned on, collector current of **Q1** and base current of **Q3** are supplied by GEN, not BATT.

When key switch is turned to position 1 after engine is started, BATT is charged, if BATT terminal voltage is lower than the setting value, or zener level of **Z1**.

9Y1210318ENM0052US0

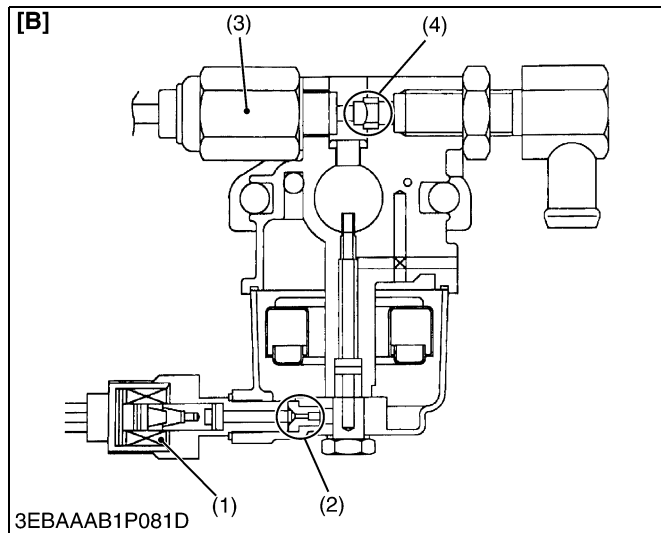
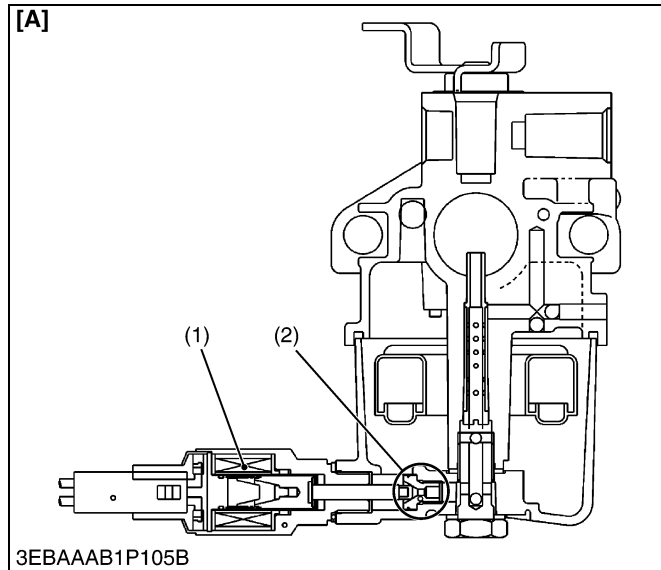


4. Over-Charge Protection

When BATT terminal voltage is higher than the setting value or zener level of **Z1**, BATT is not charged by the function of circuit as shown in figure (D). That is, **Q4** is on with base current which flows through the route of BATT → emitter / base of **Q4** → **Z1** → **D6** → BATT, shortcircuiting emitter and base of **Q3**. Therefore, **Q3** is off with no base current and gate current is not supplied to **S1** and **S2**. Consequently **S1** and **S2** are off and BATT is not charged.

9Y1210318ENM0053US0

[3] SOLENOID



When the key switch is turned on, a current flows to the solenoid, which in turn opens the solenoid valve.

When the key switch is turned off, the solenoid valve closes, blocking the gasoline main jet (2) / LPG main jet (4).

- (1) Gasoline Solenoid Valve **[A] WG972-E2**
- (2) Gasoline Main Jet **[B] DF972-E2**
- (3) LPG Solenoid Valve
- (4) LPG Main Jet

9Y1210318ENM0054US0

7. ELECTRONIC GOVERNOR



Electronic governor combines the electric actuator with integrated speed control software to control the speed of the engine. Electronic governor is a microprocessor-based control that is incorporated into the actuator, creating a single integrated package. This eliminates the need for an additional driver box and speed control box.

(1) Actuator

9Y1210318ENM0055US0

SERVICING

CONTENTS

1. TROUBLESHOOTING.....	1-S1
[1] FOR GENERAL.....	1-S1
[2] FOR GASOLINE FUEL.....	1-S2
[3] FOR LPG FUEL.....	1-S2
[4] FOR NATURAL GAS FUEL.....	1-S3
[5] FOR ELECTRONIC GOVERNOR.....	1-S4
2. SERVICING SPECIFICATIONS.....	1-S7
3. TIGHTENING TORQUES.....	1-S13
[1] TIGHTENING TORQUES FOR SPECIAL USE SCREWS, BOLTS AND NUTS.....	1-S13
[2] TIGHTENING TORQUES FOR GENERAL USE SCREWS, BOLTS AND NUTS.....	1-S14
4. CHECKING, DISASSEMBLING AND SERVICING.....	1-S15
[1] CHECKING AND ADJUSTING.....	1-S15
(1) Engine Body.....	1-S15
(2) Lubricating System.....	1-S18
(3) Cooling System.....	1-S18
(4) Fuel System.....	1-S20
(5) Ignition System.....	1-S24
(6) Electrical System.....	1-S28
(7) Electronic Governor.....	1-S30
[2] DISASSEMBLING AND ASSEMBLING.....	1-S31
(1) Draining Coolant and Engine Oil.....	1-S31
(2) External Components.....	1-S32
(3) Cylinder Head, Valves and Oil Pan.....	1-S37
(4) Thermostat.....	1-S40
(5) Timing Gear, Camshaft and Fuel Camshaft.....	1-S41
(6) Piston and Connecting Rod.....	1-S43
(7) Crankshaft.....	1-S45
(8) Starter.....	1-S48
(9) Dynamo.....	1-S49
(10) Alternator.....	1-S50
[3] SERVICING.....	1-S51
(1) Cylinder Head and Valves.....	1-S51
(2) Timing Gear and Camshaft.....	1-S56
(3) Piston and Connecting Rod.....	1-S59
(4) Crankshaft.....	1-S61
(5) Cylinder.....	1-S65
(6) Oil Pump.....	1-S66
(7) Starter.....	1-S67
(8) Alternator.....	1-S69

1. TROUBLESHOOTING

[1] FOR GENERAL

Symptom	Probable Cause	Solution	Reference Page
Engine Will Not Turn Over	Engine jammed	Check engine to find the problem and repair it	–
	Battery discharged	Charge	–
	Starter malfunctioning	Repair or replace	1-S28
	Wires disconnected	Reconnect	–
Engine Turns Over Slowly but Does Not Start	Increased resistance of moving parts	Repair or replace	–
	Excessively high viscosity engine oil at low temperature	Use specified engine oil	G-8
Engine Turns Over at Normal Speed but Does Not Start	Compression leak	Check the compression pressure and repair	1-S15
	Improper valve clearance	Adjust	1-S17
	Defective ignition coil	Replace	1-S26
	Defective spark plug	Adjust spark plug gap or replace	G-13
	Defective ignitor	Replace	1-S27
	Clogged air cleaner	Clean or replace	G-11, G-12
Rough Low-Speed Running and Idling	Defective ignition coil	Replace	1-S26
	Defective spark plug	Adjust spark plug gap or replace	G-13
	Defective ignitor	Replace	1-S27
	Incorrect governor adjustment	Adjust	1-S20
	Improper valve clearance	Adjust	1-S17
Rough High-Speed Running	Defective ignitor	Replace	1-S27
	Defective spark plug	Adjust spark plug gap or replace	G-13
	Defective ignition coil	Replace	1-S26
	Incorrect governor adjustment	Adjust	1-S20
Engine Speed Does Not Increase	Incorrect governor adjustment	Adjust	1-S20
	Defective ignitor	Replace	1-S27
	Clogged air cleaner	Clean or replace	G-11, G-12
Deficient Output	Improper intake or exhaust valve sealing	Replace	1-S53, 1-S54
	Incorrect governor adjustment	Adjust	1-S20
	Excessive carbon in engine	Remove carbon	–
	Improper valve clearance	Adjust	1-S17
	Piston ring and cylinder worn	Replace	1-S60, 1-S65
	Clogged air cleaner	Clean or replace	G-11, G-12

Symptom	Probable Cause	Solution	Reference Page
Engine Noise	Improper valve clearance	Adjust	1-S17
	Spark knock due to low-octane fuel or carbon	Use higher-octane fuel and remove carbon	–
	Rattles from loosely mounted external components	Retighten	–

9Y1210318ENS0001US0

[2] FOR GASOLINE FUEL

Symptom	Probable Cause	Solution	Reference Page
Engine Turns Over at Normal Speed but Does Not Start	No fuel	Replenish fuel	–
	Defective fuel system	Check fuel line and carburetor and repair	–
	Over choked	Clean spark plug	–
	Flooding from carburetor	Check carburetor and repair / replace	–
Rough Low-Speed Running and Idling	Incorrect carburetor idle adjustment	Adjust	1-S21
Engine Speed Does Not Increase	Incorrect carburetor adjustment	Adjust	1-S21

9Y1210318ENS0002US0

[3] FOR LPG FUEL

Symptom	Probable Cause	Solution	Reference Page
Engine Turns Over at Normal Speed but Does Not Start	No LPG fuel	Replenish LPG fuel Check LPG tank valve Check shut off solenoid valve	–
	Defective vacuum lock system	Check vacuum hose Replace vaporizer	1-S24
	Defective throttle lever position	Set throttle lever to the low idle position	1-S21
Rough Low-Speed Running and Idling	Shortage of gas supply	Replenish LPG fuel Check shut off solenoid valve	–
	Defective idling	Replace vaporizer Draining tar from vaporizer	G-19, G-22
Defection Output	LPG density is rich	Replace vaporizer	–
	Shortage LPG	Repair or replace of fuel system Replace vaporizer	–

9Y1210318ENS0003US0

[4] FOR NATURAL GAS FUEL

Symptom	Probable Cause	Solution	Reference Page
Engine Turns Over at Normal Speed but Does Not Start	No fuel	Check gas source Check shut off solenoid valve	–
	Defective fuel system	Check fuel system and repair	–
Rough Low-Speed Running and Idling	Shortage of gas supply	Check gas source Check shut off solenoid valve	–
	Defective idling	Replace regulator Draining tar from regulator	–
Defection Output	Gas density is rich	Replace regulator	–
	Shortage gas	Repair or replace of fuel system Replace regulator	–

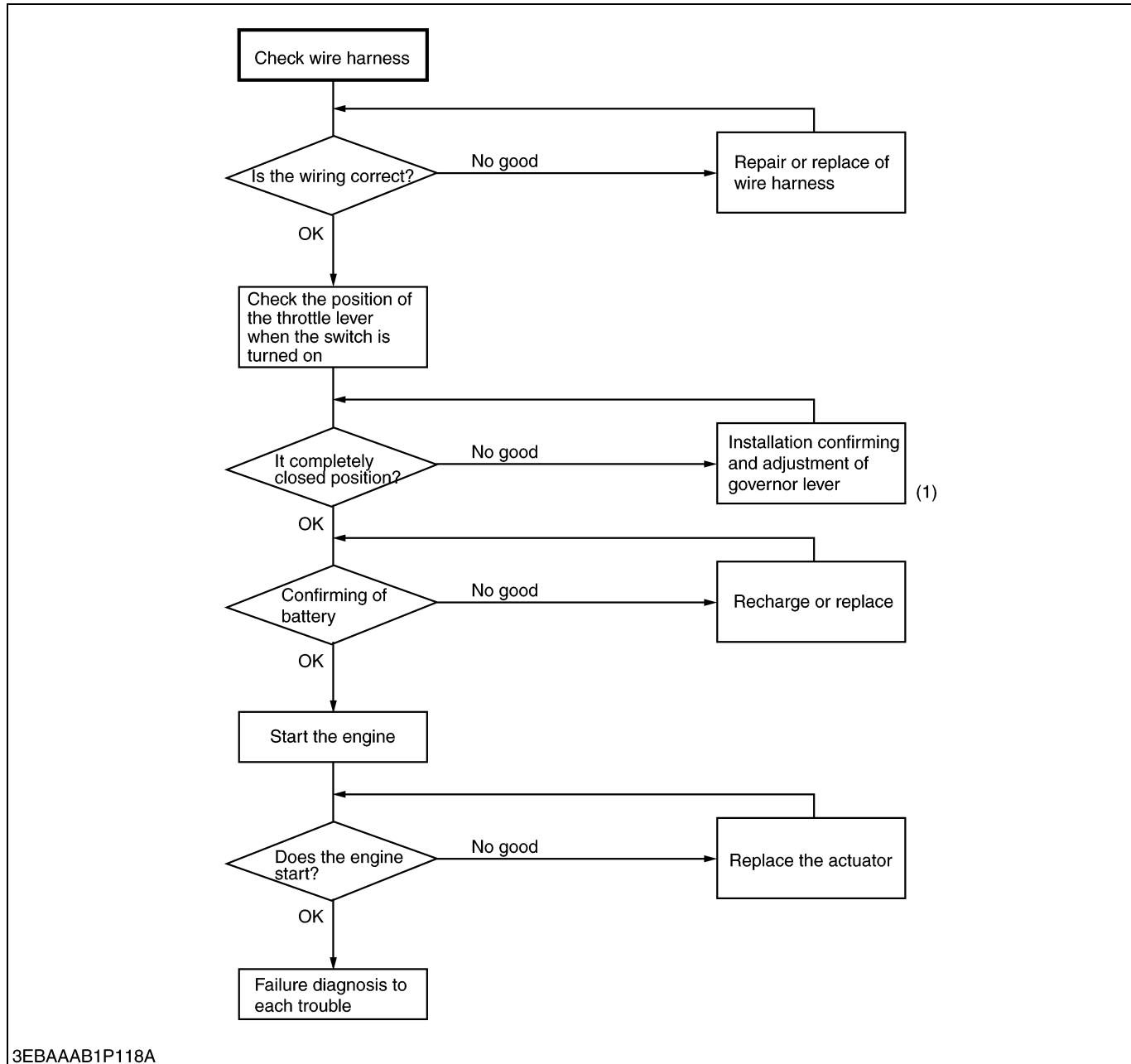
9Y1210318ENS0004US0

[5] FOR ELECTRONIC GOVERNOR

■ NOTE

- This troubleshooting describe the procedure which does not use the service tool (soft wear).

Engine does not start : Step 1

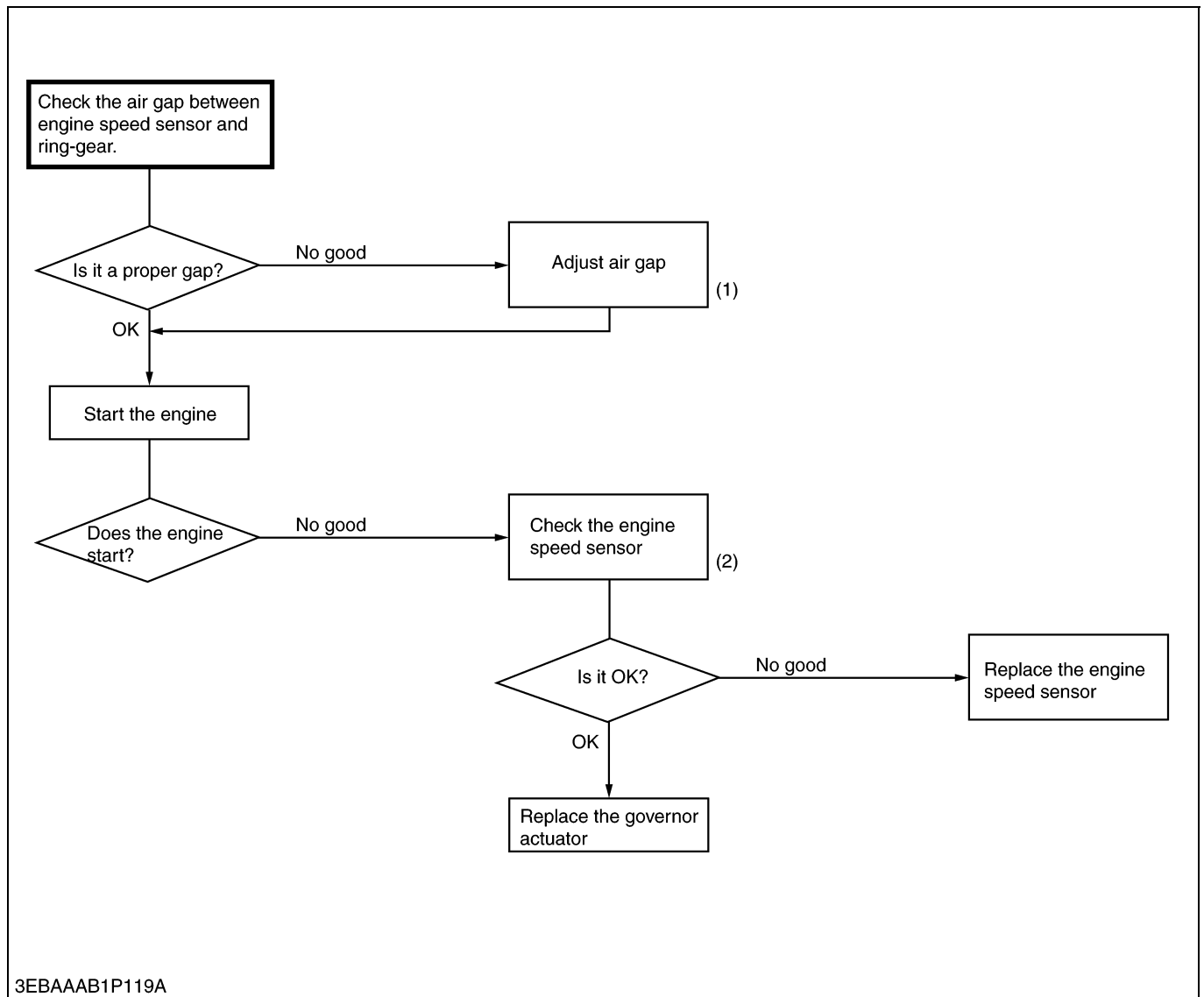


3EBAAAB1P118A

(1) Refer to [Adjust Governor Lever of Electronic Governor]

9Y1210318ENS0005US0

Engine does not start : Step 2

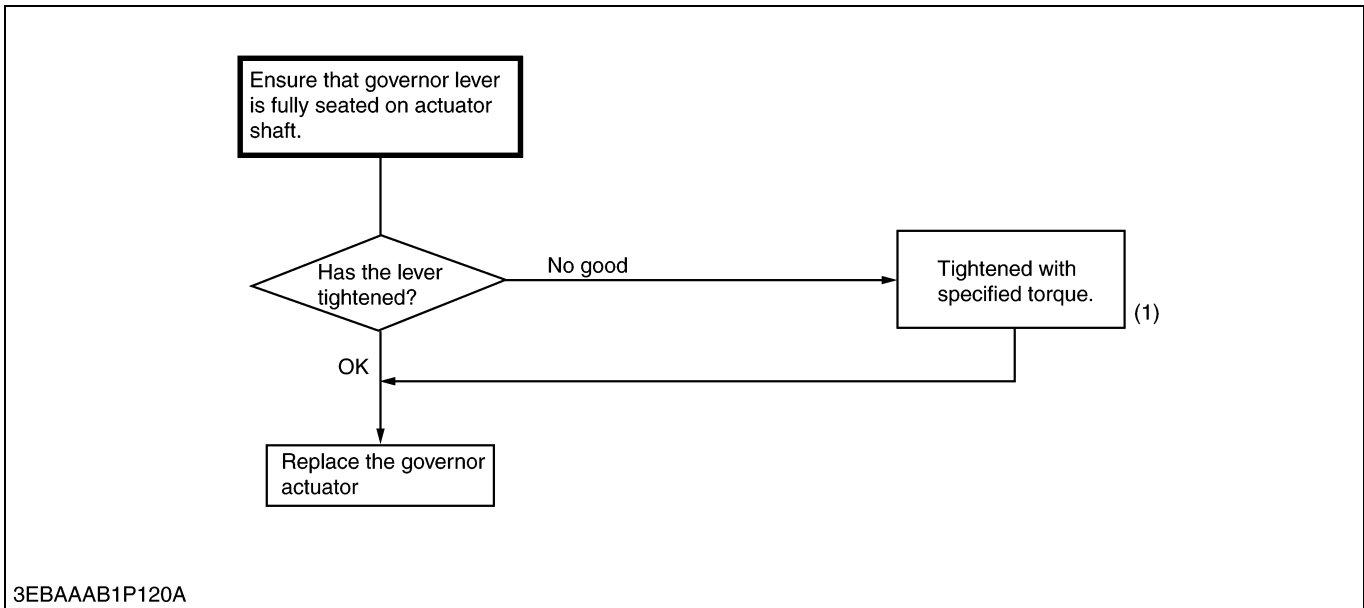


3EBAAAB1P119A

- (1) Refer to the [Air Gap of Engine Speed Sensor for Electronic Governor]
- (2) Refer to the [Resistance of Engine Speed Sensor for Electronic Governor]

9Y1210318ENS0006US0

Engine unstable



(1) Refer to the [Adjust Governor Lever of Electronic Governor]

9Y1210318ENS0007US0

2. SERVICING SPECIFICATIONS

ENGINE BODY

Item		Factory Specification	Allowable Limit
Valve Clearance (Cold)		0.145 to 0.185 mm 0.00571 to 0.00728 in.	–
Compression Pressure	–	1.27 MPa 13.0 kgf/cm ² 185 psi	0.88 MPa 9.0 kgf/cm ² 130 psi
	Variance Among Cylinder	–	10 % or less
Top Clearance		1.35 to 1.65 mm 0.0532 to 0.0649 in.	–
Cylinder Head Surface	Flatness	–	0.05 mm 0.002 in.
Valve Recessing (Intake and Exhaust)		–0.10 to 0.10 mm –0.0039 to 0.0039 in.	0.30 mm 0.012 in.
Valve Stem to Valve Guide	Clearance	0.030 to 0.057 mm 0.0012 to 0.0022 in.	0.10 mm 0.0039 in.
• Valve Stem	O.D.	5.968 to 5.980 mm 0.2350 to 0.2354 in.	–
• Valve Guide	I.D.	6.010 to 6.025 mm 0.2367 to 0.2372 in.	–
Valve Face	Angle	0.79 rad 45 °	–
Valve Seat	Angle	0.79 rad 45 °	–
	Width	2.12 mm 0.0835 in.	–
Valve Timing (Intake Valve)	Open	0.35 rad 20 ° before T.D.C.	–
	Close	0.79 rad 45 ° after B.D.C.	–
Valve Timing (Exhaust Valve)	Open	0.87 rad 50 ° before B.D.C.	–
	Close	0.26 rad 15 ° after T.D.C.	–
Valve Spring	Free Length	31.3 to 31.8 mm 1.24 to 1.25 in.	28.4 mm 1.12 in.
	Tilt	–	1.0 mm 0.039 in.
	Setting Load / Setting Length	65 N / 27.0 mm 6.6 kgf / 27.0 mm 15 lbf / 1.06 in.	55 N / 27.0 mm 5.6 kgf / 27.0 mm 12 lbf / 1.06 in.

Item		Factory Specification	Allowable Limit	
Rocker Arm Shaft to Rocker Arm	Oil Clearance	0.016 to 0.045 mm 0.00063 to 0.0017 in.	0.15 mm 0.0059 in.	
	• Rocker Arm Shaft	O.D.	10.473 to 10.484 mm 0.41233 to 0.41275 in.	–
	• Rocker Arm	I.D.	10.500 to 10.518 mm 0.41339 to 0.41409 in.	–
Push Rod	Alignment	–	0.25 mm 0.0098 in.	
Tappet to Tappet Guide Bore	Oil Clearance	0.016 to 0.052 mm 0.00063 to 0.0020 in.	0.10 mm 0.0039 in.	
	• Tappet	O.D.	17.966 to 17.984 mm 0.70733 to 0.70803 in.	–
	• Tappet Guide Bore	I.D.	18.000 to 18.018 mm 0.70867 to 0.70937 in.	–
Timing Gear	• Crank Gear to Idle Gear	Backlash	0.0430 to 0.124 mm 0.00170 to 0.00488 in.	0.15 mm 0.0059 in.
	• Idle Gear to Cam Gear	Backlash	0.0470 to 0.123 mm 0.00185 to 0.00484 in.	0.15 mm 0.0059 in.
	• Idle Gear to Injection Pump Gear	Backlash	0.0410 to 0.124 mm 0.00162 to 0.00488 in.	0.15 mm 0.0059 in.
	• Crank Gear to Oil Pump Drive Gear	Backlash	0.0410 to 0.123 mm 0.00162 to 0.00484 in.	0.15 mm 0.0059 in.
Idle Gear	Side Clearance	0.20 to 0.51 mm 0.0079 to 0.020 in.	0.80 mm 0.031 in.	
Camshaft	Side Clearance	0.15 to 0.31 mm 0.0059 to 0.012 in.	0.50 mm 0.020 in.	
	Alignment	–	0.01 mm 0.0004 in.	
	Cam Height (Intake and Exhaust)	26.88 mm 1.058 in.	26.83 mm 1.056 in.	
Camshaft Journal to Cylinder Block Bore	Oil Clearance	0.050 to 0.091 mm 0.0020 to 0.0035 in.	0.15 mm 0.0059 in.	
	• Camshaft Journal	O.D.	32.934 to 32.950 mm 1.2967 to 1.2972 in.	–
	• Cylinder Block Bore	I.D.	33.000 to 33.025 mm 1.2993 to 1.3001 in.	–
Idle Gear Shaft to Idle Gear Bushing	Oil Clearance	0.020 to 0.084 mm 0.00079 to 0.0033 in.	0.10 mm 0.0039 in.	
	• Idle Gear Shaft	O.D.	19.967 to 19.980 mm 0.78611 to 0.78661 in.	–
	• Idle Gear Bushing	I.D.	20.000 to 20.051 mm 0.78741 to 0.78940 in.	–

Item		Factory Specification	Allowable Limit
Piston Pin Bore	I.D.	20.000 to 20.013 mm 0.78741 to 0.78791 in.	20.05 mm 0.7894 in.
Piston Pin to Small End Bushing	Oil Clearance	0.012 to 0.038 mm 0.00048 to 0.0014 in.	0.10 mm 0.0039 in.
	• Piston Pin O.D.	20.002 to 20.013 mm 0.78748 to 0.78791 in.	–
	• Small End Bushing I.D.	20.025 to 20.040 mm 0.78839 to 0.78897 in.	–
Piston Pin to Small End Bushing (Spare Parts)	Oil Clearance	0.013 to 0.075 mm 0.00052 to 0.0029 in.	0.15 mm 0.0059 in.
	• Small End Bushing I.D.	20.026 to 20.077 mm 0.78843 to 0.79043 in.	–
Piston Ring Gap	Top Ring	0.15 to 0.35 mm 0.0059 to 0.013 in.	1.25 mm 0.0492 in.
	Second Ring	0.30 to 0.45 mm 0.012 to 0.017 in.	1.25 mm 0.0492 in.
	Oil Ring (Upper and lower rail)	0.20 to 0.70 mm 0.0079 to 0.027 in.	1.25 mm 0.0492 in.
Piston Ring to Piston Ring Groove	Top Ring (Clearance)	0.080 to 0.12 mm 0.0032 to 0.0047 in.	0.15 mm 0.0059 in.
	Second Ring (Clearance)	0.065 to 0.10 mm 0.0026 to 0.0039 in.	0.15 mm 0.0059 in.
	Oil Ring (Clearance)	0.060 to 0.15 mm 0.0024 to 0.0059 in.	0.20 mm 0.0079 in.
Connecting Rod	Alignment	–	0.05 mm 0.002 in.
Crankshaft	Side Clearance	0.15 to 0.31 mm 0.0059 to 0.012 in.	0.50 mm 0.020 in.
	Alignment	–	0.02 mm 0.0008 in.
Crankpin to Crankpin Bearing	Oil Clearance	0.020 to 0.051 mm 0.00079 to 0.0020 in.	0.15 mm 0.0059 in.
	• Crankpin O.D.	33.959 to 33.975 mm 1.3370 to 1.3375 in.	–
	• Crankpin Bearing I.D.	33.995 to 34.010 mm 1.3384 to 1.3389 in.	–
Crankshaft Journal to Crankshaft Bearing 1	Oil Clearance	0.0340 to 0.106 mm 0.00134 to 0.00417 in.	0.20 mm 0.0079 in.
	• Crankshaft Journal O.D.	43.934 to 43.950 mm 1.7297 to 1.7303 in.	–
	• Crankshaft Bearing 1 I.D.	43.984 to 44.040 mm 1.7317 to 1.7338 in.	–

Item		Factory Specification	Allowable Limit
Crankshaft Journal to Crankshaft Bearing 2 (Flywheel Side)	Oil Clearance	0.028 to 0.059 mm 0.0011 to 0.0023 in.	0.20 mm 0.0079 in.
	• Crankshaft Journal	O.D. 43.934 to 43.950 mm 1.7297 to 1.7303 in.	–
	• Crankshaft Bearing 2	I.D. 43.978 to 43.993 mm 1.7315 to 1.7320 in.	–
Crankshaft Journal to Crankshaft Bearing 3 (Intermediate)	Oil Clearance	0.028 to 0.059 mm 0.0011 to 0.0023 in.	0.20 mm 0.0079 in.
	• Crankshaft Journal	O.D. 43.934 to 43.950 mm 1.7297 to 1.7303 in.	–
	• Crankshaft Bearing 3	I.D. 43.978 to 43.993 mm 1.7315 to 1.7320 in.	–
Cylinder Liner [Standard]	I.D.	74.500 to 74.519 mm 2.9331 to 2.9338 in.	74.669 mm 2.9397 in.
Cylinder Liner [Oversize : 0.5 mm (0.02 in.)]	I.D.	75.000 to 75.019 mm 2.9528 to 2.9535 in.	75.150 mm 2.9587 in.

LUBRICATING SYSTEM

Item		Factory Specification	Allowable Limit
Engine Oil Pressure	At Idle Speed	More than 50 kPa 0.5 kgf/cm ² 7 psi	–
	At Rated Speed	200 to 440 kPa 2.0 to 4.5 kgf/cm ² 29 to 64 psi	150 kPa 1.5 kgf/cm ² 21 psi
Inner Rotor to Outer Rotor	Clearance	0.030 to 0.14 mm 0.0012 to 0.0055 in.	–
Outer Rotor to Pump Body	Clearance	0.070 to 0.15 mm 0.0028 to 0.0059 in.	–
Inner Rotor to Cover	Clearance	0.0750 to 0.135 mm 0.00296 to 0.00531 in.	–

COOLING SYSTEM

Item		Factory Specification	Allowable Limit
Fan Belt	Tension	7.0 to 9.0 mm / 98 N 0.28 to 0.35 in. / 98 N (10 kgf, 22 lbf)	–
Thermostat	Valve Opening Temperature (At Beginning)	69.5 to 72.5 °C 157.1 to 162.5 °F	–
	Valve Opening Temperature (Opened Completely)	85 °C 185 °F	–
Radiator Cap	Pressure Falling Time	More than 10 seconds for pressure fall from 90 → 60 kPa 0.9 → 0.6 kgf/cm ² 10 → 9 psi	–
Radiator	Weak Leakage Test Pressure	No leak at specified pressure	–

IGNITION SYSTEM

Item		Factory Specification	Allowable Limit
Spark Plug (NGK : BKR4E)	Plug Gap	0.60 to 0.70 mm 0.024 to 0.027 in.	–
Resistance of Ignition Coil	Primary (+) - (-)	1.87 to 2.53 Ω at 20 °C	–
	Secondary Side (Primary (+) - Plug Cap)	10.4 to 15.6 kΩ at 20 °C	–
Pick-up Sensor	Resistance	1.85 to 2.45 kΩ at 20 °C	–

ELECTRICAL SYSTEM

Item		Factory Specification	Allowable Limit
Starter	Commutator (O.D.)	28.0 mm 1.10 in.	27.0 mm 1.06 in.
	Difference (O.D.)	Less than 0.05 mm 0.002 in.	0.4 mm 0.02 in.
	Mica (Undercut)	0.45 to 0.75 mm 0.018 to 0.029 in.	0.2 mm 0.008 in.
	Brush (Length)	14.0 mm 0.551 in.	11.1 mm 0.437 in.
Alternator	No-load Voltage	More than 13.5 V	–
	Stator (Resistance)	Less than 1.0 Ω	–
	Rotor (Resistance)	2.9 Ω	–
	Slip Ring (O.D.)	14.4 mm 0.567 in.	14.0 mm 0.551 in.
	Brush (Length)	10.5 mm 0.413 in.	8.4 mm 0.33 in.
Regulator	Regulating Voltage	14.2 to 14.8 V	–
Fuel Cut Off Solenoid	For Gasoline (Resistance)	38 Ω at 20 °C	–
	For LPG (Resistance)	28 Ω at 20 °C	–

ELECTRONIC GOVERNOR

Item		Factory Specification	Allowable Limit
Engine Speed Sensor to Ring Gear (for Kubota original parts)	Air Gap	0.80 to 1.2 mm 0.031 to 0.047 in.	–
	Resistance	Approx. 2.15 k Ω	–

9Y1210318ENS0008US0

3. TIGHTENING TORQUES

Screws, bolts and nuts must be tightened to the specified torque using a torque wrench, several screws, bolts and nuts such as those used on the cylinder head must be tightened in proper sequence and the proper torque.

9Y1210318ENS0009US0

[1] TIGHTENING TORQUES FOR SPECIAL USE SCREWS, BOLTS AND NUTS

■ NOTE

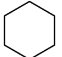

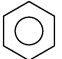
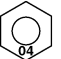
- For "*" marked screws, bolts and nuts on the table, apply engine oil to their threads and seats before tightening.
- The letter "M" in Size x Pitch means that the screw, bolt or nut dimension stands for metric. The size is the nominal outside diameter in mm of the threads. The pitch is the nominal distance in mm between two threads.

Item	Dimension x Pitch	N·m	kgf·m	lbf·ft
*Cylinder head cover screw	M6 x 1.0	9.81 to 11.2	1.00 to 1.15	7.24 to 8.31
*Rocker arm bracket screw	M6 x 1.0	12 to 14	1.2 to 1.5	8.7 to 10
*Cylinder head screw	M8 x 1.25	40 to 44	4.0 to 4.5	29 to 32
*Fan drive pulley screw	M12 x 1.5	118 to 127	12.0 to 13.0	86.8 to 94.0
*Idle gear shaft mounting screw	M6 x 1.0	9.81 to 11.2	1.00 to 1.15	7.24 to 8.31
*Connecting rod screw	M7 x 0.75	27 to 30	2.7 to 3.1	20 to 22
*Flywheel screw	M10 x 1.25	54 to 58	5.5 to 6.0	40 to 43
Bearing case cover mounting screw	M6 x 1.0	9.81 to 11.2	1.00 to 1.15	7.24 to 8.31
*Main bearing case screw 2	M7 x 1.0	27 to 30	2.7 to 3.1	20 to 22
*Main bearing case screw 1	M6 x 1.0	13 to 15	1.3 to 1.6	9.4 to 11
Oil pressure switch	PT 1/8	15 to 19	1.5 to 2.0	11 to 14
Spark plug	M14 x 1.25	20 to 24	2.0 to 2.5	15 to 18
Drain plug	M12 x 1.25	33 to 37	3.3 to 3.8	24 to 27
Carburetor mounting nut	M8 x 1.25	24 to 27	2.4 to 2.8	18 to 20
Gas mixer mounting nut	M8 x 1.25	24 to 27	2.4 to 2.8	18 to 20
Joint for LPG hose of vaporizer (local arrangement)	PT - 1/4	20 to 23	2.0 to 4.0	15 to 17
Joint for vapor hose of vaporizer	PT - 3/8	30 to 58	3.0 to 6.0	22 to 43
Joint for coolant hose of vaporizer	PT - 3/8	30 to 58	3.0 to 6.0	22 to 43
Actuator mounting screw	M5 x 0.8	4.5 to 5.3	0.45 to 0.55	3.3 to 3.9
Actuator flange screw	M6 x 1.0	9.81 to 11.2	1.00 to 1.15	7.24 to 8.31
Governor lever nut	M6 x 1.0	9.81 to 11.2	1.00 to 1.15	7.24 to 8.31
Starter's terminal B mounting nut	—	5.9 to 11	0.60 to 1.2	4.4 to 8.6
Dynamo's pulley nut	—	40 to 44	4.0 to 4.5	29 to 32
Alternator's pulley nut	—	58.4 to 78.9	5.95 to 8.05	43.1 to 58.2
Gasoline solenoid	—	7.9 to 11	0.80 to 1.2	5.8 to 8.6
Main jet	—	0.98 to 2.8	0.10 to 0.29	0.73 to 2.0
Pilot jet	—	0.98 to 3.9	0.10 to 0.40	0.73 to 2.8

9Y1210318ENS0010US0

[2] TIGHTENING TORQUES FOR GENERAL USE SCREWS, BOLTS AND NUTS

If the tightening torque is not specified, refer to the table below for the none specified torques values.

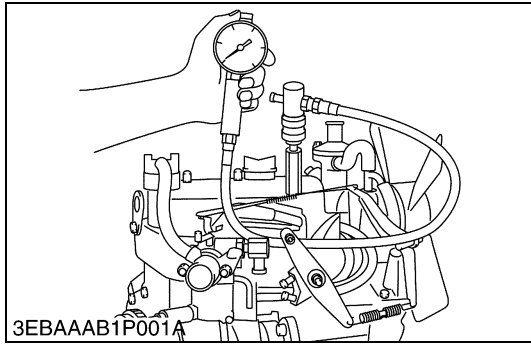
Indication on top of bolt	 4 No-grade or 4T			 7 7T		
Indication on top of nut	  No-grade or 4T					
Unit	N·m	kgf·m	lbf·ft	N·m	kgf·m	lbf·ft
M6	7.9 to 9.3	0.80 to 0.95	5.8 to 6.8	9.81 to 11.2	1.00 to 1.15	7.24 to 8.31
M8	18 to 20	1.8 to 2.1	13 to 15	24 to 27	2.4 to 2.8	18 to 20
M10	40 to 45	4.0 to 4.6	29 to 33	49 to 55	5.0 to 5.7	37 to 41
M12	63 to 72	6.4 to 7.4	47 to 53	78 to 90	7.9 to 9.2	58 to 66

M00000003ENS0013US1

4. CHECKING, DISASSEMBLING AND SERVICING

[1] CHECKING AND ADJUSTING

(1) Engine Body



Compression Pressure

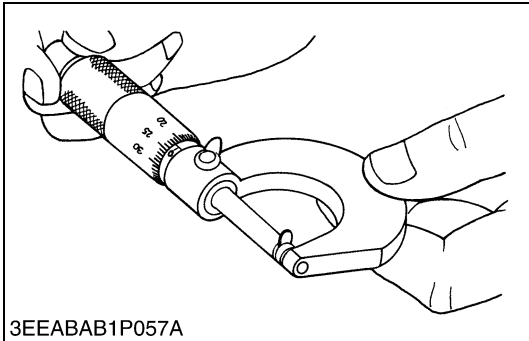
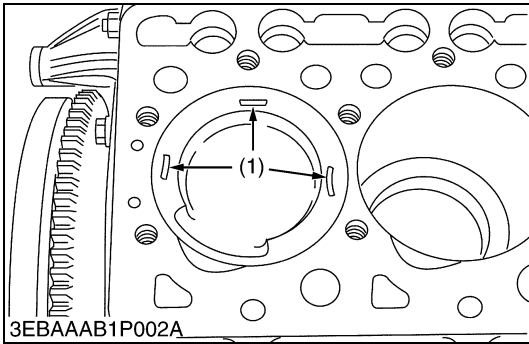
1. Run the engine until it is warmed up.
2. Stop the engine.
3. Remove the air cleaner, the muffler and all spark plugs.
4. Set a compression tester with the adaptor to the spark plug hole.
5. Run the engine with the starter for 5 to 10 seconds keeping throttle valve fully open and read the maximum compression pressure.
6. Repeat steps 4 and 5 for each cylinder.
7. If the measurement is below the allowable limit, apply a small amount of oil to the cylinder wall through the spark plug hole and measure the compression pressure again.
8. If the compression pressure is still less than the allowable limit, check the top clearance, valve clearance and cylinder head.
9. If the compression pressure increases after applying oil, check the cylinder wall and piston rings.

■ NOTE

- Check the compression pressure with the specified valve clearance.
- Always use a fully charged battery for performing this test.
- Variances in cylinder compression values should be under 10 %.

Compression pressure	Factory spec.	1.27 MPa 13.0 kgf/cm ² 185 psi
	Allowable limit	0.88 MPa 9.0 kgf/cm ² 130 psi

9Y1210318ENS0013US0



Top Clearance

1. Remove the cylinder head. (Do not attempt to remove the cylinder head gasket.)
2. Move the piston up and stick a strip of fuse [1.5 mm dia. (0.059 in. dia.), 5.0 to 7.0 mm long (0.20 to 0.27 in. long)] on the piston head at three positions with grease so as to avoid the intake and exhaust valves and the combustion chamber ports.
3. Lower the piston, and install the cylinder head and tighten the cylinder head screws to the specified torque.
4. Turn the flywheel until the piston exceeds top dead center.
5. Remove the cylinder head, and measure the thickness of the squeezed fuses.
6. If the measurement is not within the factory specifications, check the oil clearance between the crankpin and crankpin bearing and between the piston pin and small end bushing.

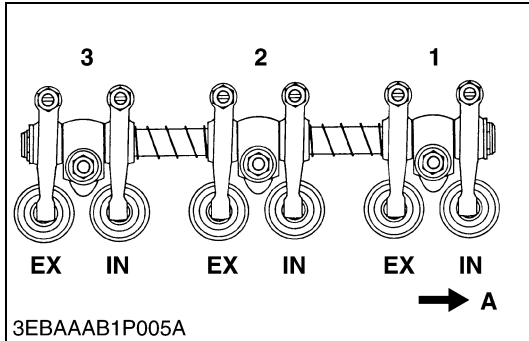
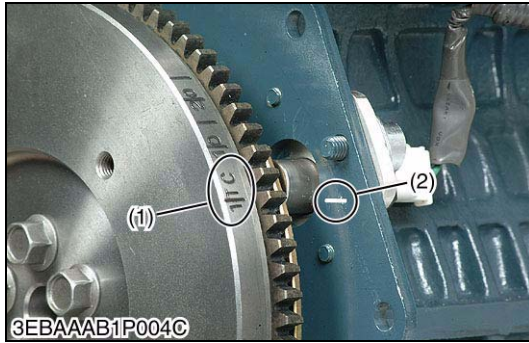
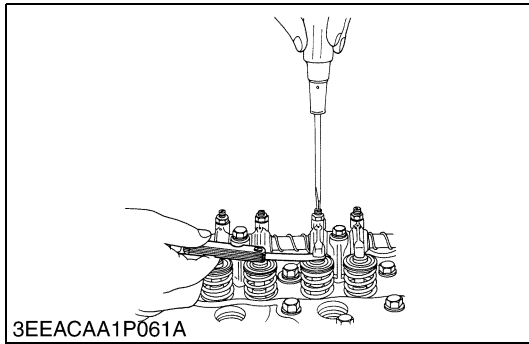
■ **NOTE**

- **After checking the top clearance, be sure to assemble the cylinder head with a new cylinder head gasket.**

Top clearance	Factory spec.	1.35 to 1.65 mm 0.0532 to 0.0649 in.
Tightening torque	Cylinder head screws	40 to 44 N·m 4.0 to 4.5 kgf·m 29 to 32 lbf·ft

(1) Fuse

9Y1210318ENS0014US0



Adjusting the Valve Clearance

■ **IMPORTANT**

- **The valve clearance must be checked and adjusted when engine is cold.**
1. Remove the cylinder head cover and the spark plugs.
 2. Align the "1TC" mark (1) on the flywheel and alignment mark (2) on the rear end plate so that the No. 1 piston comes to the compression top dead center.
 3. Check the following valve clearance marked with "★" using a feeler gauge.
 4. If the clearance is not within the factory specifications, adjust with the adjusting screw.
 5. Then turn the flywheel 6.28 rad (360 °), and align the "1TC" mark (1) on the flywheel and alignment mark (2) on the rear end plate so that the No. 1 piston comes to the overlap position.
 6. Check the following valve clearance marked with "☆" using a feeler gauge.
 7. If the clearance is not within the factory specifications, adjust with the adjusting screw.

Adjustable Cylinder Location of Piston	Valve Arrangement	
	Intake valve	Exhaust valve
No. 1	★	★
No. 2	☆	★
No. 3	★	☆

★ : When No. 1 piston is at the compression top dead center position.
 ☆ : When No. 1 piston is at the overlap position.

Intake and exhaust valve clearance (cold)	Factory spec.	0.145 to 0.185 mm 0.00571 to 0.00728 in.
---	---------------	---

■ **NOTE**

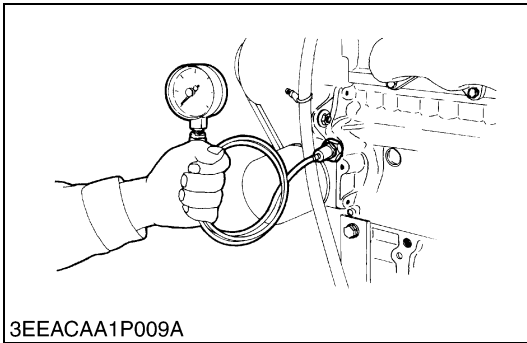
- **The sequence of cylinder numbers is given as No. 1, No. 2 and No. 3 starting from the gear case side.**
- **After adjusting the valve clearance, secure the adjusting screw with the lock nut.**

- (1) "1TC" Mark
- (2) Alignment Mark

A : Gear Case Side

9Y1210318ENS0015US0

(2) Lubricating System



Engine Oil Pressure

1. Remove the engine oil pressure switch, and set an oil pressure tester.
2. Start the engine. After warming up, measure the oil pressure of both idling and rated speeds.
3. If the oil pressure is less than the allowable limit, check the following.
 - Engine oil insufficient
 - Oil pump defective
 - Oil strainer clogged
 - Oil filter cartridge clogged
 - Oil gallery clogged
 - Excessive oil clearance
 - Foreign matter in the relief valve

(When reassembling)

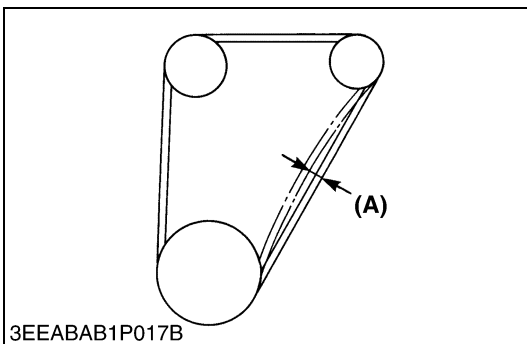
- After checking the engine oil pressure, tighten the engine oil pressure switch to the specified torque.

Engine oil pressure	At idle speed	Factory spec.	More than 50 kPa 0.5 kgf/cm ² 7 psi
	At rated speed	Factory spec.	200 to 440 kPa 2.0 to 4.5 kgf/cm ² 29 to 64 psi
		Allowable limit	150 kPa 1.5 kgf/cm ² 21 psi

Tightening torque	Oil pressure switch	15 to 19 N·m 1.5 to 2.0 kgf·m 11 to 14 lbf·ft
-------------------	---------------------	---

9Y1210318ENS0016US0

(3) Cooling System



Fan Belt Tension

1. Measure the deflection **(A)**, depressing the belt halfway between the fan drive pulley and alternator pulley at specified force 98 N (10 kgf, 22 lbf).
2. If the measurement is not within the factory specifications, loosen the alternator mounting screws and relocate the alternator to adjust.

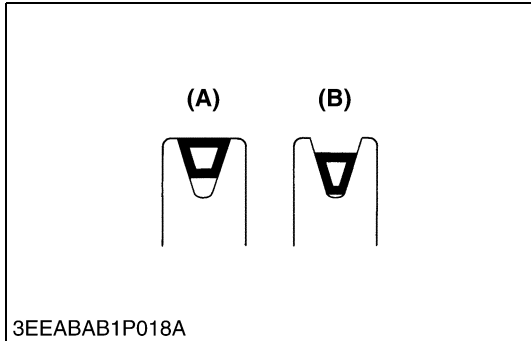
Deflection (A)	Factory spec.	7.0 to 9.0 mm 0.28 to 0.35 in.
-----------------------	---------------	-----------------------------------

(A) Deflection

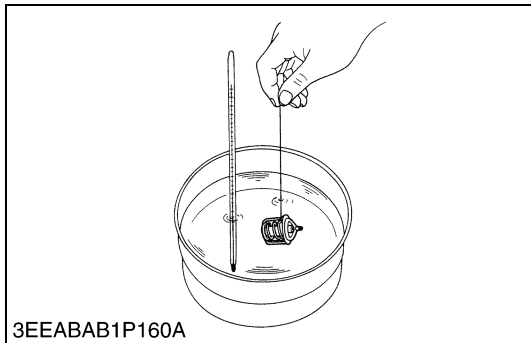
9Y1210318GEG0001US0



3EEABAB1P019A



3EEABAB1P018A



3EEABAB1P160A

Fan Belt Damage and Wear

1. Check the fan belt for damage.
2. If the fan belt is damaged, replace it.
3. Check if the fan belt is worn and sunk in the pulley groove.
4. If the fan belt is nearly worn out and deeply sunk in the pulley groove, replace it.

(A) Good

(B) Bad

9Y1210318GEG0002US0

Thermostat Valve Opening Temperature

1. Suspend the thermostat in the water by a string with its end inserted between the valve and seat.
2. Heating the water gradually, read the temperature when the valve opens and leaves the string.
3. Continue heating and read the temperature when the valve opens approx. 8 mm (0.3 in.).
4. If the measurement is not within the factory specifications, replace the thermostat.

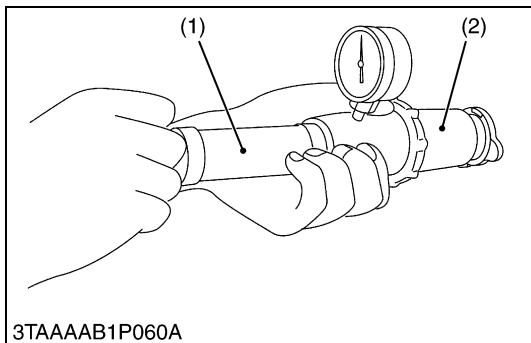
Thermostat's valve opening temperature	Factory spec.	69.5 to 72.5 °C 157.1 to 162.5 °F
Temperature at which thermostat completely opens	Factory spec.	85 °C 185 °F

9Y1210318ENS0017US0

CAUTION

- When removing the radiator cap, wait at least ten minutes after the engine has stopped and cooled down. Otherwise, hot water may gush out, scalding nearby people.

9Y1210318ENS0018US0



3TAAAB1P060A

Radiator Cap Air Leakage

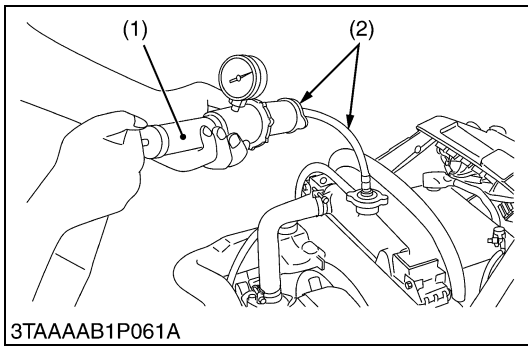
1. Set a radiator tester (1) and an adaptor (2) on the radiator cap.
2. Apply the specified pressure (90 kPa, 0.9 kgf/cm², 10 psi), and measure the time for the pressure to fall to 60 kPa (0.6 kgf/cm², 9 psi).
3. If the measurement is less than the factory specification, replace the radiator cap.

Pressure falling time	Factory spec.	More than 10 seconds for pressure fall from 90 to 60 kPa from 0.9 to 0.6 kgf/cm ² from 10 to 9 psi
-----------------------	---------------	---

(1) Radiator Tester

(2) Adaptor

9Y1210318ENS0019US0



Radiator Water Leakage

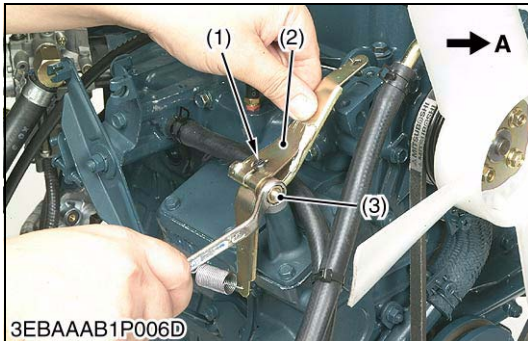
1. Pour a specified amount of water into the radiator.
2. Set a radiator tester (1) and an adaptor (2) and raise the water pressure to the specified pressure.
3. Check the radiator for water leaks.
4. For water leak from the pinhole, repair with the radiator cement. When water leak is excessive, replace the radiator.

Radiator water leakage test pressure	Factory spec.	No leak at specified pressure
--------------------------------------	---------------	-------------------------------

- (1) Radiator Tester (2) Adaptor

9Y1210318ENS0020US0

(4) Fuel System



Adjusting Governor

1. Loosen the governor lever nut (3).
2. Set the throttle valve to the fully "OPEN" position with the governor lever (2), turn the groove on the governor lever shaft (1) fully clockwise with a screwdriver (to open the governor completely), and then tighten the nut (3) in this position.

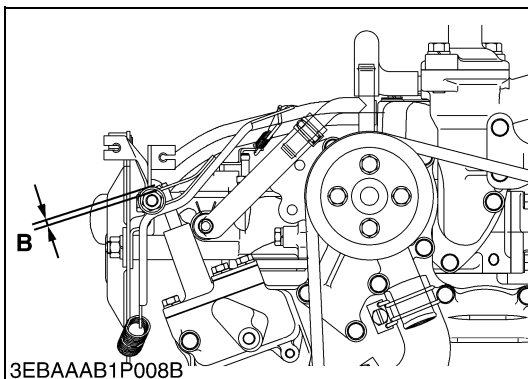
Tightening torque	Governor lever nut	9.81 to 11.2 N·m 1.00 to 1.15 kgf·m 7.24 to 8.31 lbf·ft
-------------------	--------------------	---

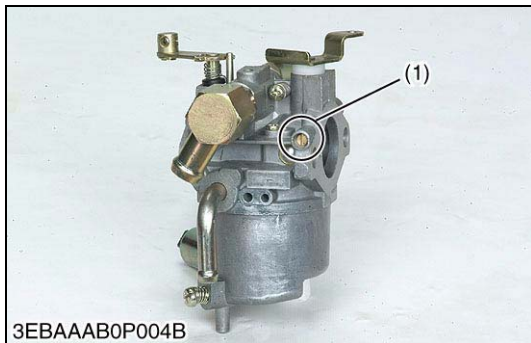
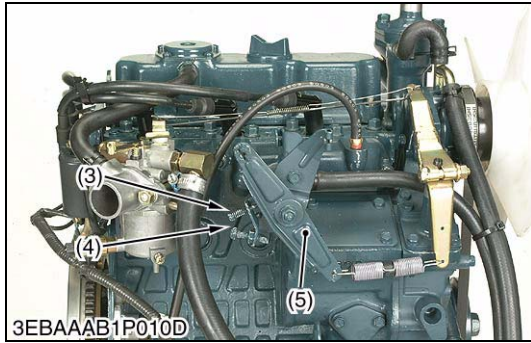
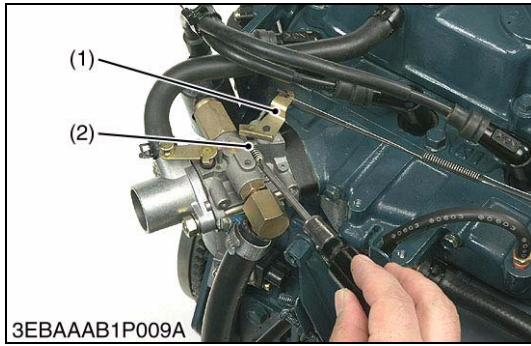
NOTE

- Insert the governor lever to the position 2 mm (0.08 in.) (B) away from the fork lever shaft end.

- (1) Governor Lever Shaft **A : Open Direction**
 (2) Governor Lever **B : 2 mm (0.08 in.)**
 (3) Governor Lever Nut

9Y1210318ENS0021US0





Adjusting Engine Speed

1. Warm up the engine at a medium speed for 10 to 15 minutes.
2. Engine speed is adjusted to approx. 1500 min⁻¹ (rpm) by the speed control lever (5).
3. Throttle valve (1) is closed by hand and engine speed is adjusted with the throttle adjust screw (2) to 1200 min⁻¹ (rpm) (1100 to 1300 min⁻¹ (rpm)).
4. Adjust the low-idling speed adjust screw (3) until the engine speed reaches 1500 min⁻¹ (rpm) (1400 to 1600 min⁻¹ (rpm)) with the speed control lever (5) in the minimum speed position.
5. Adjust the high-idling speed adjust screw (4) until the engine speed reaches 3850 min⁻¹ (rpm) (3850 to 3950 min⁻¹ (rpm)) with the speed control lever (5) in the maximum speed position.

Lo-idling speed	Factory spec.	1500 min ⁻¹ (rpm) (1400 to 1600 min ⁻¹ (rpm))
Hi-idling speed	Factory spec.	3850 min ⁻¹ (rpm) (3850 to 3950 min ⁻¹ (rpm))

- (1) Throttle Valve
- (2) Throttle Adjust Screw
- (3) Low-idling Adjust Screw
- (4) High-idling Adjust Screw
- (5) Speed Control Lever

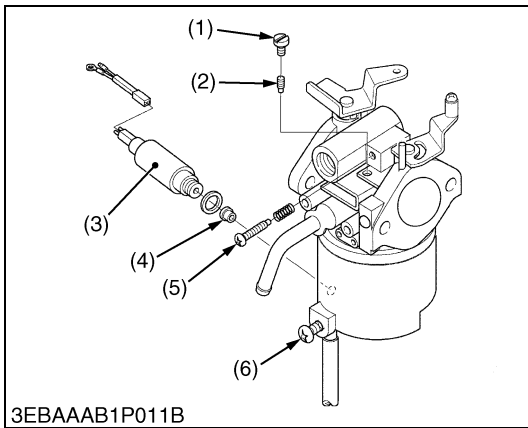
9Y1210318ENS0022US0

Carburetor (WG972-E2) / Dual Fuel Carburetor (DF972-E2)

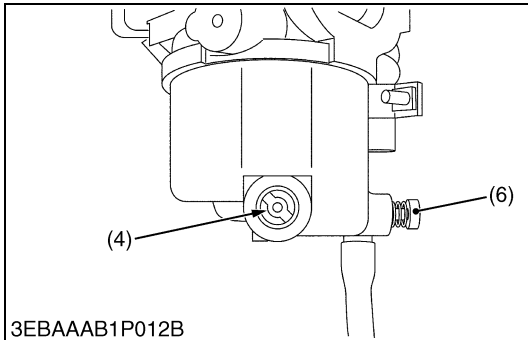
The carburetor is tamper resistant; the idle mixture screw has been covered by tamper plug after adjustment at the factory.

- (1) Tamper Resistance

9Y1210318ENS0023US0



3EBAAAB1P011B



3EBAAAB1P012B

Replacement of Altitude Compensation Kit (Main Jet and Pilot Jet) (WG972-E2, DF972-E2)

1. Remove the carburetor.
2. Loosen the drain screw (6) to let fuel out.
3. Remove the gasoline solenoid (3).
4. Remove the main jet (4).
5. Install the high-altitude kit's main jet onto the carburetor.
6. Tighten the throttle adjust screw (5) and remove the pilot screw (1).
7. Replace the existing pilot jet (2) with the high-altitude kit's pilot jet.
8. Install the gasoline solenoid (3).
9. Install the carburetor in place.
10. Readjust the governor.
11. Adjust the engine speed.

■ **NOTE**

- After install the carburetor, the adjustment of governor and engine speed are executed.
- Prepare a screwdriver that fits the main jet / pilot jet screws in order not to damage the main jet and pilot jet.
- Replace the air cleaner packing and the carburetor packing with new ones.
- Make sure there is no leak at the air cleaner packing and the carburetor packing.

■ **IMPORTANT**

- Keep the carburetor inner parts which is removed from standard carburetor.

Tightening torque	Carburetor mounting nut	24 to 27 N·m 2.4 to 2.8 kgf·m 18 to 20 lbf·ft
	Gasoline solenoid	7.9 to 11 N·m 0.80 to 1.2 kgf·m 5.8 to 8.6 lbf·ft
	Main jet	0.98 to 2.8 N·m 0.10 to 0.29 kgf·m 0.73 to 2.0 lbf·ft
	Pilot jet	0.98 to 3.9 N·m 0.10 to 0.40 kgf·m 0.73 to 2.8 lbf·ft

- | | |
|-----------------------|---------------------------|
| (1) Pilot Screw | (4) Main Jet |
| (2) Pilot Jet | (5) Throttle Adjust Screw |
| (3) Gasoline Solenoid | (6) Drain Screw |

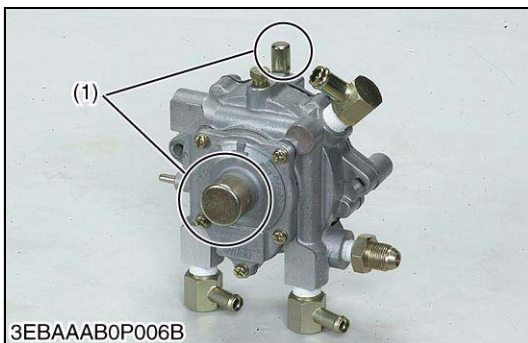
9Y1210318ENS0024US0

LPG Vaporizer Regulator (DF972-E2)

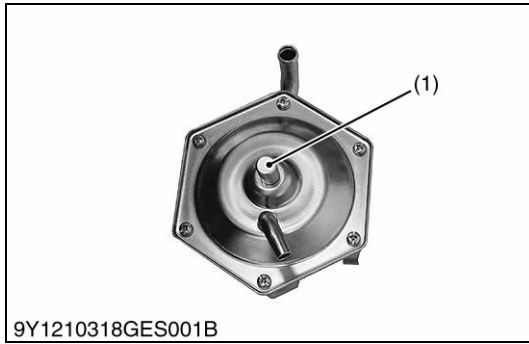
LPG vaporizer regulator is tamper resistant; the main and idle pressure adjustment screws have been covered by tamper caps after adjustment at the factory.

- (1) Tamper Resistance

9Y1210318ENS0025US0



3EBAAAB0P006B

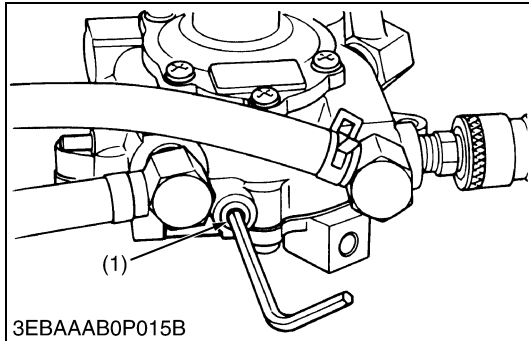


Natural Gas Regulator (DG972-E2)

Natural gas regulator is tamper resistant; the pressure adjustment screw have been covered by tamper caps after adjustment at the factory.

- (1) Tamper Resistance

9Y1210318ENS0026US0

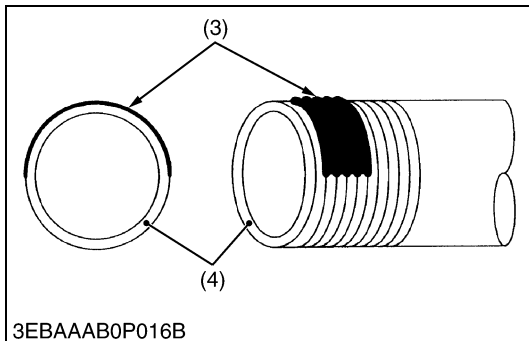
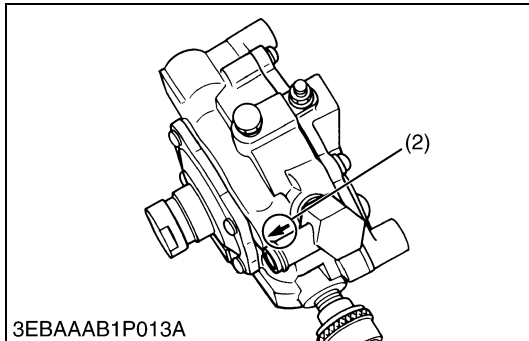


Vaporizer Joints (DF972-E2)

1. The direction of the joint for vapor hose is decided upon and a mark (2) is made.
2. The direction of the joint for coolant hose is decided upon and a mark is made.

■ **NOTE**

- Vaporizer must be installed in an upright position (coolant hoses at bottom).
- The joints (fitting) can be adjusted to any position. The joint must be tight in that position.
- Apply an approved for GAS or LPG use liquid gasket (Three Bond 1104 or its equivalent) to thread (see figure) and tighten it.
- Drain plug (1) must not be obstructed ; so that it can be removed during maintenance.
- Apply liquid gasket to the thread of each joint and tighten them.
- After selecting the joint (fitting) positions, insure that there are no leaks.

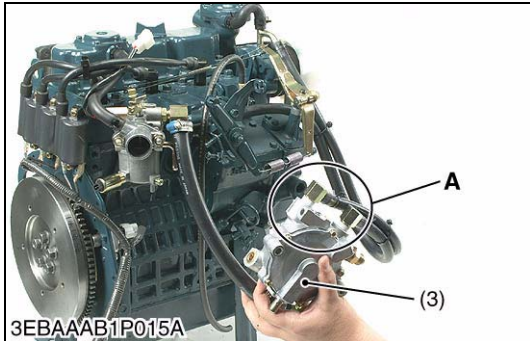
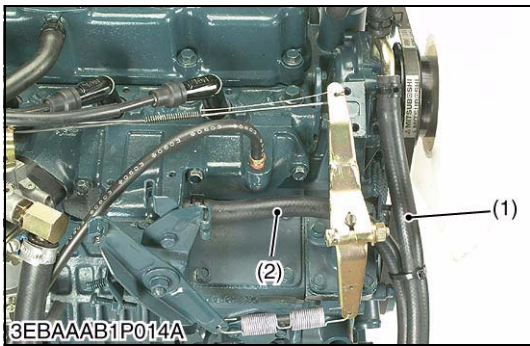


Tightening torque	Joint for LPG hose of vaporizer (local arrangement)	20 to 23 N·m 2.0 to 4.0 kgf·m 15 to 17 lbf·ft
	Joint for vapor hose of vaporizer	30 to 58 N·m 3.0 to 6.0 kgf·m 22 to 43 lbf·ft
	Joint for coolant hose of vaporizer	30 to 58 N·m 3.0 to 6.0 kgf·m 22 to 43 lbf·ft

- (1) Drain Plug
- (2) Mark

- (3) Liquid Gasket
- (4) Thread of Joint

9Y1210318ENS0027US0



Vaporizer Piping (DF972-E2)

1. Connect the coolant hose (1) and (2) through the vaporizer.
2. The joint part of vaporizer is adjusted to the upper side (A) and coolant is replenished through radiator, to bleed air in the vaporizer.
3. Vaporizer (3) is returned to former position.
4. Connect the vapor hose.
5. Connect the vacuum lock hose (4).
6. Tighten the vaporizer (3).
7. Connect the LPG hose.
 - O.D. of joint for vapor hose: 12.7 mm (0.500 in.)
 - O.D. of joint for coolant hose: 9.0 mm (0.35 in.)

⚠ CAUTION

- All fuel connections added to this engine must be installed by qualified personnel and utilizing recognized procedures and standards.
- These non-KUBOTA installed parts, such as hoses, fittings, piping, should be approved for LPG use and conform to UL, CSA, NFPA, and all other recognized standards.
- An approved, listed fuel filter and electromechanical positive shutoff must be installed between the LPG tank and KUBOTA vaporizer.

■ NOTE

- The LPG liquid in joint (fitting) to the vaporizer / regulator is not provided in the KIT by KUBOTA, due to the many different connection requirements by the OEM. The female thread into the vaporizer / regulator is a PT 1/4 METRIC thread. To insure good sealing the correct fitting must be used.
- Vapor hose between the vaporizer and mixer must be of 280 to 320 mm (11.1 to 12.5 in.) in length, to assure correct emissions and proper operation.
- Perform air bleeding of the vaporizer (water passage).
- Each hose must be tightened with a hose clamp.

- | | |
|----------------------|-----------|
| (1) Coolant Hose | A : Joint |
| (2) Coolant Hose | |
| (3) Vaporizer | |
| (4) Vacuum Lock Hose | |

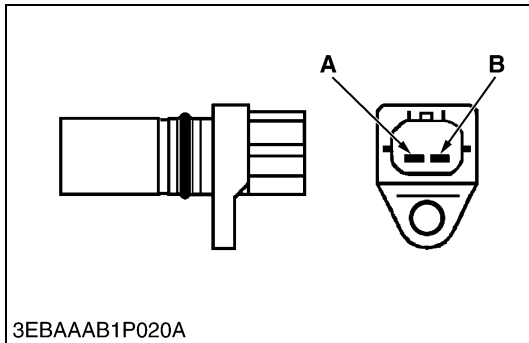
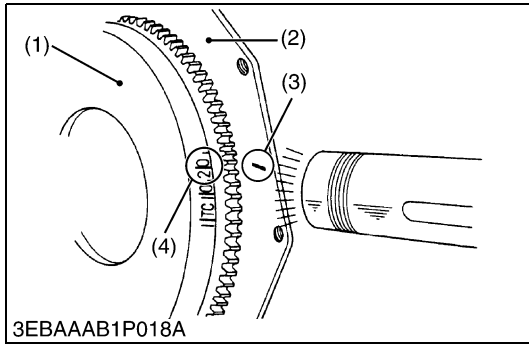
9Y1210318ENS0028US0

(5) Ignition System

Timing Light Test

1. Set the timing light to High-tension cord.
2. Close the fuel cocks.
3. Cranking the engine.
4. If the timing light blinks, the spark plug and ignition coil are normal.
5. If the timing light does not blink, check the spark plug / ignition coil.

9Y1210318ENS0029US0



Ignition Timing

1. Using a timing light, check that the ignition timing (stamps on the flywheel) (4) is aligned with the mark (3) on the rear end plate (2).
2. The pick-up sensor is tamper resistant (5); the ignition timing adjustment screw has been covered after adjustment at the factory.

Ignition timing	Factory spec.	0.34 to 0.40 rad (19 to 23 °) before T.D.C at 3600 min ⁻¹ (rpm)
-----------------	---------------	--

- | | |
|--------------------|-----------------------|
| (1) Flywheel | (4) Ignition Timing |
| (2) Rear End Plate | (5) Tamper Resistance |
| (3) Mark | |

9Y1210318ENS0030US0

Resistance of Pick-Up Sensor

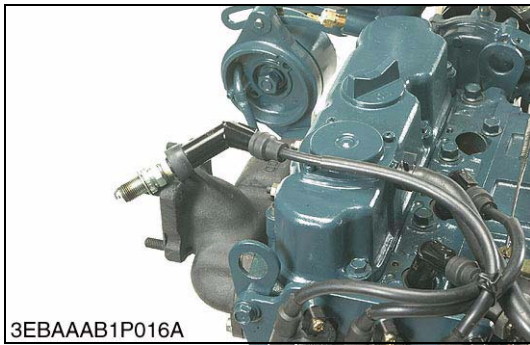
1. Disconnect the connector.
2. Measure the resistance with an ohmmeter.
3. If the resistance is not with in the factory specifications, replace it.

Resistance	Factory spec.	A - B	1.85 to 2.45 kΩ at 20 °C
------------	---------------	-------	--------------------------

NOTE

- This check sheet shows the results of the test conducted by using the "Sanwa-made testers SP-10 / SP-150" (analog meter).
- Use of other testers than those above may show different measured results.

9Y1210318ENS0031US0



3EBAAAB1P016A

Spark Test

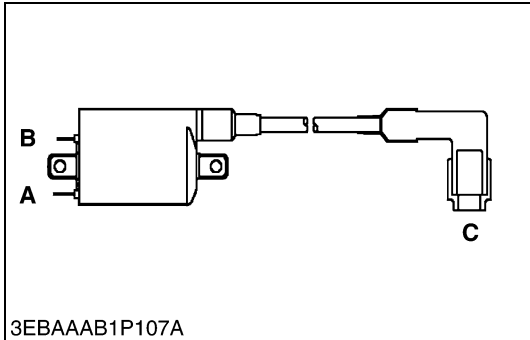
1. Remove the spark plug, put it inside the high voltage cord cap firmly, and then ground the threaded section to the engine body (not to painted or resin parts).
2. Rotate the starter with the key switch and check that the plug sparks.



CAUTION

- This test is hazardous of electric shocks. Never use hand or screwdriver to press the plug to ground it to the engine body.
- Keep inflammable away from the engine.

9Y1210318ENS0032US0



3EBAAAB1P107A

Resistance of Ignition Coil

1. Disconnect the connector.
2. Measure the resistance with an ohmmeter.
3. If the resistance is not with in the factory specifications, replace it.

Resistance	Factory spec.	A - B	1.87 to 2.53 Ω at 20 °C
		A - C	10.4 to 15.6 kΩ at 20 °C

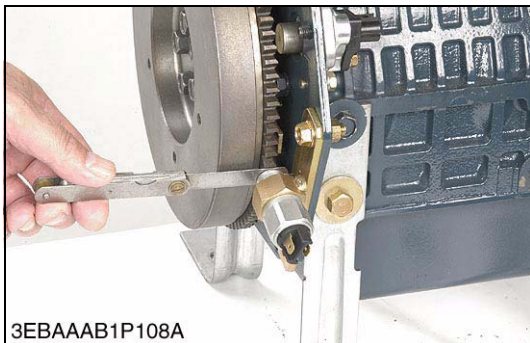
NOTE

- This check sheet shows the results of the test conducted by using the "FLUKE MULTMETER 110 SERIES" (digital meter).
- Use of other testers than those above may show different measured results.

A : Terminal (+)
B : Terminal (-)

C : High Tension Cord

9Y1210318ENS0033US0



3EBAAAB1P108A

Air Gap of Engine Speed Sensor for Electronic Governor

1. Measure the air gap with a feeler gauge.
2. If air gap differs from the factory specification, readjust the air gap.

Air gap	Factory spec.	0.80 to 1.2 mm 0.032 to 0.047 in.
---------	---------------	--------------------------------------

NOTE

- The described numerical value is the values of KBT parts.
- Checking sensor as described in the manual of sensor maker.
- The described valve is the data of supply of kubota. Follow the instruction of OEM for parts adopted by OEM.

9Y1210318ENS0034US0

Resistance of Engine Speed Sensor for Electronic Governor

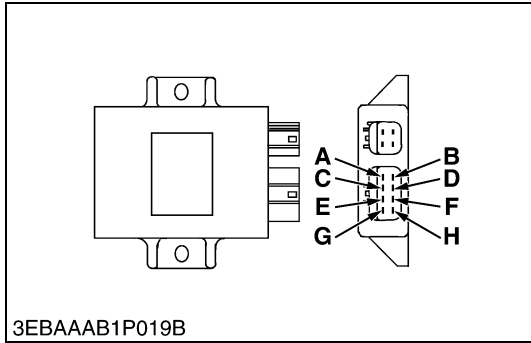
1. Measure the resistance with an ohmmeter.
2. If the resistance is not with in the factory specifications, replace it.

Resistance	Factory spec.	Approx. 2.15 kΩ
------------	---------------	-----------------

NOTE

- The described numerical value is the values of KBT parts.
- Checking sensor as described in the manual of sensor maker.
- This check sheet shows the results of the test conducted by using the "FLUKE MULTMETER 110 SERIES".
- The described valve is the data of supply of kubota. Follow the instruction of OEM for parts adopted by OEM.

9Y1210318ENS0035US0



3EBAAAB1P019B

Ignitor Check Chart

Resistance of Ignitor

1. Disconnect the connector.
2. Measure the resistance with an ohmmeter.
3. If the resistance is not with in the factory specifications, replace it.

9Y1210318ENS0036US0

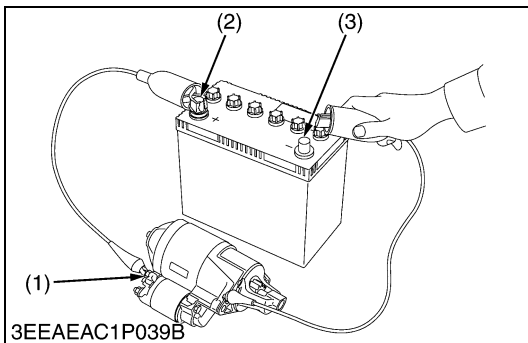
	Negative							
Positive	A	B	C	D	E	F	G	H
A	–	10 to 40 kΩ	10 to 40 kΩ	11 to 47 kΩ	Infinity	Infinity	Infinity	Infinity
B	10 to 40 kΩ	–	0.33 to 1.3 kΩ	1.8 to 7.3 kΩ	Infinity	Infinity	Infinity	Infinity
C	10 to 40 kΩ	0.33 to 1.3 kΩ	–	1.5 to 6.0 kΩ	Infinity	Infinity	Infinity	Infinity
D	11 to 47 kΩ	1.8 to 7.3 kΩ	1.5 to 6.0 kΩ	–	Infinity	Infinity	Infinity	Infinity
E	Infinity	Infinity	Infinity	Infinity	–	Infinity	Infinity	Infinity
F	2 megohm (minimum)	2 megohm (minimum)	2 megohm (minimum)	2 megohm (minimum)	Infinity	–	Infinity	Infinity
G	2 megohm (minimum)	2 megohm (minimum)	2 megohm (minimum)	2 megohm (minimum)	Infinity	Infinity	–	Infinity
H	2 megohm (minimum)	2 megohm (minimum)	2 megohm (minimum)	2 megohm (minimum)	Infinity	Infinity	Infinity	–

NOTE

- This check sheet shows the results of the test conducted by using the "FLUKE MULTMETER 110 SERIES" (digital meter).
- Use of other testers than those above may show different measured results.

9Y1210318ENS0037US0

(6) Electrical System



Motor Test

⚠ CAUTION

- **Secure the starter to prevent it from jumping up and down while testing the motor.**

1. Disconnect the battery negative cable from the battery.
2. Disconnect the battery positive cable from the battery.
3. Disconnect the leads from the starter **B** terminal.
4. Remove the starter from the engine.
5. Connect a jumper lead from the starter **C** terminal (1) to the battery positive terminal (2).
6. Connect a jumper lead momentarily between the starter's body and the battery negative terminal (3).
7. If the motor does not run, starter is failure. Repair or replace the starter.

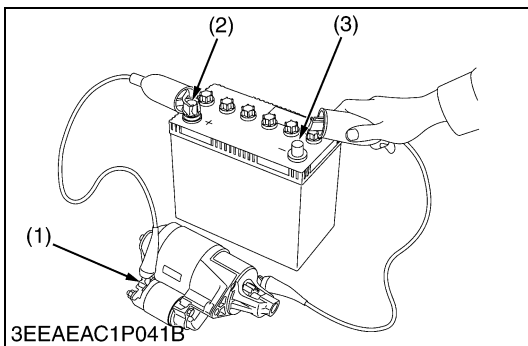
■ NOTE

- **B terminal** : It is the terminal which connects the cable from the battery to the starter.
- **C terminal** : It is the terminal which connects the cable from the motor to the magnet switch.

- (1) C Terminal
(2) Positive Terminal

- (3) Negative Terminal

9Y1210318ENS0038US0



Magnetic Switch Test

1. Disconnect the battery negative cable from the battery.
2. Disconnect the battery positive cable from the battery.
3. Disconnect the leads from the starter **B** terminal.
4. Remove the starter from the engine.
5. Connect a jumper lead from the starter **S** terminal (1) to the battery positive terminal (2).
6. Connect a jumper lead momentarily between the starter's body and the battery negative terminal (3).
7. If the pinion gear does not pop out, the magnetic switch is failure. Repair or replace the starter.

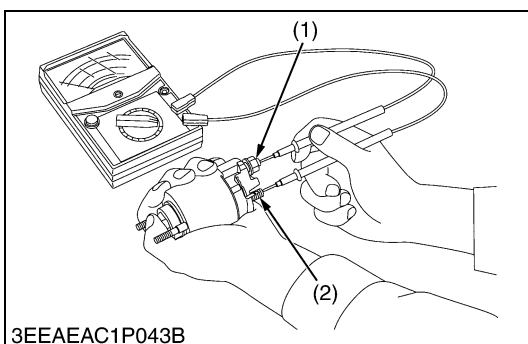
■ NOTE

- **B terminal** : It is the terminal which connects the cable from the battery to the starter.
- **S terminal** : It is the terminal which connects the cable from the starter switch to the magnet switch.

- (1) S Terminal
(2) Positive Terminal

- (3) Negative Terminal

9Y1210318ENS0039US0



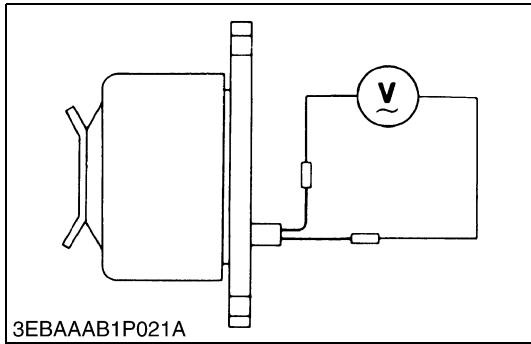
Magnet Switch Continuity Test

1. Check the continuity across the **C** terminal (1) and the **B** terminal (2) with a circuit tester, pushing in the plunger.
2. If not continuous or if a certain value is indicated, replace the magnet switch.

- (1) C Terminal

- (2) B Terminal

9Y1210318ENS0040US0

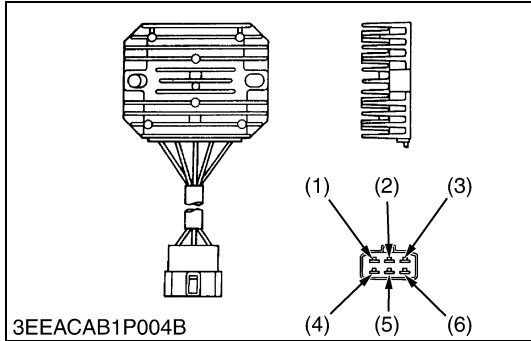


No-load Dynamo Output

1. Disconnect the lead wires from the dynamo.
2. Start the engine and operate the dynamo at the specified speed.
3. Measure the output voltage with a volt meter.
If the measurement is not within the specified values, replace the dynamo.

No-load output voltage	Factory spec.	AC 20 V or more at 5200 min ⁻¹ (rpm)
------------------------	---------------	---

9Y1210318ENS0041US0



Regulator

1. The engine is started.
2. Measure the output voltage of the regulator with the voltmeter.

Output voltage	(6) - (2)	14 V to 15 V
----------------	-----------	--------------

3. When the measurement is not the above table value, measure the input voltage of the regulator with the voltmeter.

Input voltage	(1) - (3)	Dynamo output voltage
---------------	-----------	-----------------------

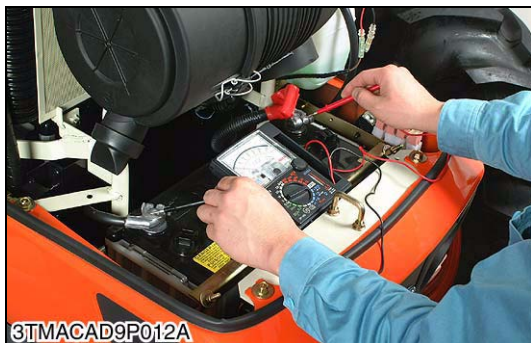
4. When the measurement is the above table value, the regulator is failure. Exchange it.

NOTE

- When the input voltage of the regulator is out of specification, check the generator.

- | | |
|-------------------------|-----------------------|
| (1) Terminal (Sky Blue) | (4) Terminal (Green) |
| (2) Terminal (Black) | (5) Terminal (Yellow) |
| (3) Terminal (Sky Blue) | (6) Terminal (Red) |

9Y1210318ENS0042US0



Alternator on Unit Test

(Before testing)

- Before alternator on unit test, check the battery terminal connections, circuit connection, fan belt tension, charging indicator lamp, fuses on the circuit, and abnormal noise from the alternator.
- Prepare full charged battery for the test.

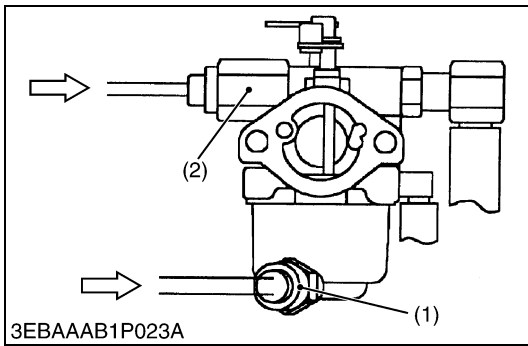
NOTE

- Be careful not to touch the rotating engine parts while engine is running.
Keep safety distance from the engine rotating parts.

1. Start the engine.
2. When the engine is operating measure the voltage between two battery terminals. If the voltage is between 13.8 V and 14.8 V, the alternator is operating normally.
3. If the results of alternator on unit test are not within the specifications, disassemble the alternator and check the each component part for finding out the failure. See the "DISASSEMBLING AND ASSEMBLING" and "SERVICING" for alternator.

Regulating voltage at no load	Factory spec.	13.8 to 14.8 V at 25 °C (77 °F)
-------------------------------	---------------	---------------------------------

9Y1210318ENS0043US0



Fuel Cut Off Solenoid

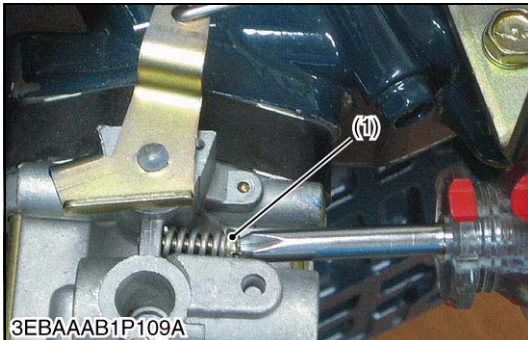
1. Disconnect the connector.
2. Measure the resistance with an ohmmeter between the connector terminals.
3. If the factory specification is not indicated the solenoid is faulty.

WG972-E2, DF972-E2 : for Gasoline	Factory spec.	Approx. 38 Ω at 20 °C
DF972-E2 : for LPG	Factory spec.	Approx. 28 Ω at 20 °C

(1) Fuel Cut off Solenoid for Gasoline (2) Fuel Cut off Solenoid for LPG

9Y1210318ENS0044US0

(7) Electronic Governor



Adjust Governor Lever

1. Loosen the idling speed screw (1).
2. Loosen the governor lever nut (4).
3. Turn the actuator shaft (3) fully counterclockwise.
4. Turn the governor lever (5) fully counterclockwise.
5. Tighten the governor lever nut (4) to the torque value.

Tightening torque	Governor lever nut	9.81 to 11.2 N·m 1.00 to 1.15 kgf·m 7.24 to 8.31 lbf·ft
-------------------	--------------------	---

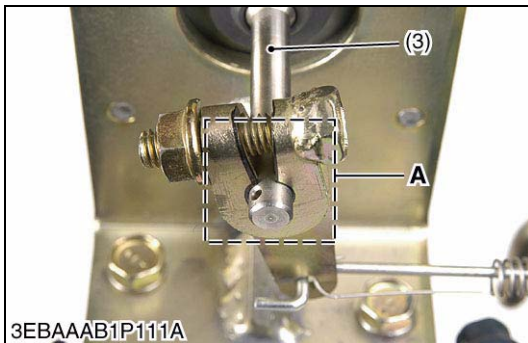
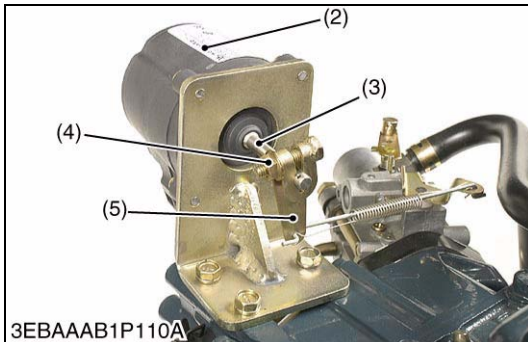
NOTE

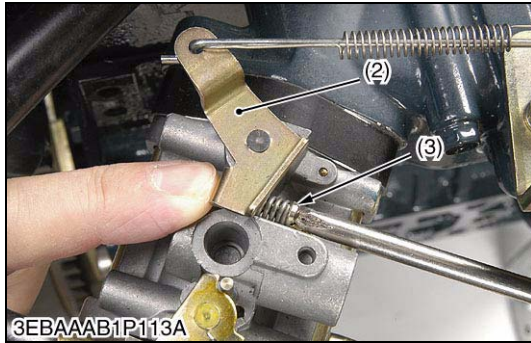
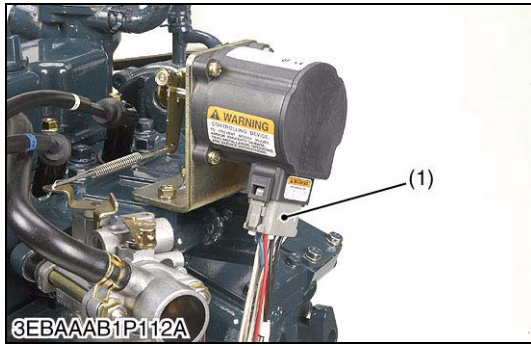
- **Align governor lever (5) with pin hole of actuator shaft (A) and tighten nut (4).**
- **When starter switch turned on, the actuator will be in position control at the configured minimum position.**

- (1) Idle Adjust Screw
- (2) Actuator
- (3) Actuator Shaft
- (4) Governor Lever Nut
- (5) Governor Lever

A : Setting Position

9Y1210318ENS0045US0





Adjust Throttle Lever

⚠ CAUTION

- Do not overrunning the engine because the electronic governor does not operate.
- The adjustment of the idle speed due to this process is not an adjustment of the final product.

1. Disconnect actuator connector (1).
2. Start the engine while holding the throttle lever (2) at the idle position by finger.
3. Adjust the engine speed with the idle adjust screw (3) to 1200 min⁻¹ (rpm).

■ NOTE

- An electronic governor controls the engine speed between 1500 min⁻¹ (rpm) and 3600 min⁻¹ (rpm) though it depends on the applications.

- (1) Actuator Connector (3) Idle Adjust Screw
 (2) Throttle Lever

9Y1210318ENS0046US0

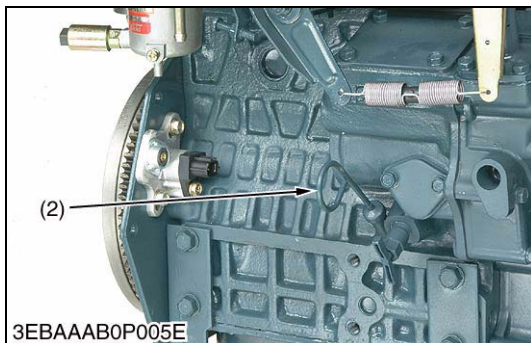
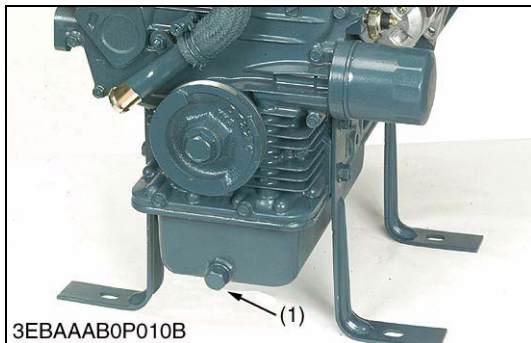
[2] DISASSEMBLING AND ASSEMBLING

■ IMPORTANT

- When reassembling, replace all of the O-rings and gaskets by new ones.
- When disassembling the LPG engine after completely consuming the fuel in piping.

9Y1210318ENS0047US0

(1) Draining Coolant and Engine Oil



Draining Engine Oil

1. Start and warm up the engine for approx. 5 minutes.
2. Place an oil pan underneath the engine.
3. Remove the drain plug (1) to drain oil.
4. After draining, screw in the drain plug.

(When refilling)

- Fill the engine oil up to the upper line on the dipstick (2).

■ IMPORTANT

- When using an oil of different maker or viscosity from the previous one, remove all of the old oil.
- Never mix two different types of oil.
- Engine oil should have properties of API classification SH.
- Use the proper SAE Engine Oil according to ambient temperature.

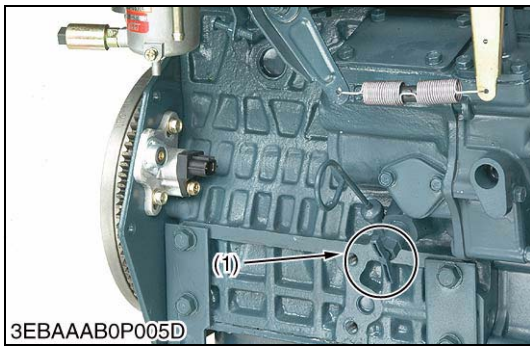
Above 25 °C (77 °F)	SAE30 or SAE10W-30
0 °C to 25 °C (32 °F to 77 °F)	SAE20 or SAE10W-30
Below 0 °C (32 °F)	SAE10W or SAE10W-30

Engine oil capacity	3.4 L 0.90 U.S.gals
---------------------	------------------------

Tightening torque	Drain plug	33 to 37 N·m 3.3 to 3.8 kgf·m 24 to 27 lbf·ft
-------------------	------------	---

- (1) Drain Plug (2) Dipstick

9Y1210318ENS0048US0



Draining Coolant

CAUTION

- Never remove radiator cap while operating or immediately after stopping. Otherwise, hot water will spout out from the radiator. Wait for more than ten minutes to cool the radiator, before opening the cap.

1. Prepare a bucket. Open the coolant drain cock.

- (1) Coolant Drain Cock

9Y1210318ENS0049US0

(2) External Components



Alternator, Starter and Others

1. Remove the air cleaner and muffler.
2. Remove the cooling fan (1), fan pulley and fan belt (2).
3. Remove the alternator.
4. Remove the starter.

(When reassembling)

- Check to see that there are no cracks on the belt surface.

IMPORTANT

- After reassembling the fan belt, be sure to adjust the fan belt tension.
- Do not confuse the direction of the fan.

- (1) Cooling Fan

- (2) Fan Belt

9Y1210318ENS0050US0

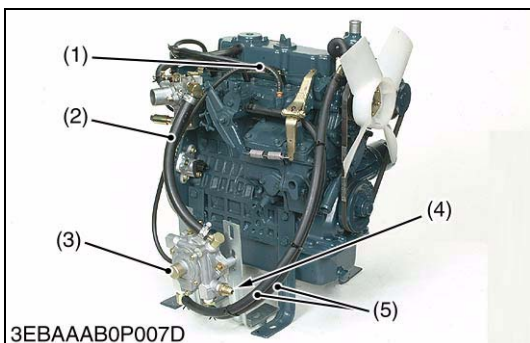


Fuel Line (WG972-E2)

1. Disconnect the gasoline hose from the connector (1).

- (1) Gasoline Hose Connector

9Y1210318ENS0051US0



LPG Hose and Coolant Hose (DF972-E2)

CAUTION

- Vent the air of the water passage of vaporizer (3) after detaching the coolant hose (5).

1. Disconnect the LPG hose from the connector (4).
2. Disconnect the coolant hose (5).
3. Disconnect the vapor hose (2) and vacuum lock hose (1).
4. Remove the vaporizer (3) (if necessary).

IMPORTANT

- When disassembling the fuel system, make sure that the fuel valve is closed.

(When reassembling)

- Bleed the vaporizer after supplying coolant.

- (1) Vacuum Lock Hose

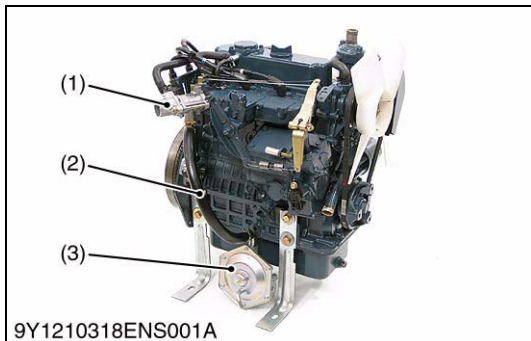
- (4) LPG Hose Connector

- (2) Vapor Hose

- (5) Coolant Hose

- (3) Vaporizer

9Y1210318ENS0052US0



Gas Hose (DG972-E2)

1. Disconnect the gas hose from the connector.
2. Disconnect the gas hose (2) between the regulator (3) and gas mixer (1).
3. Remove the regulator (3) (if necessary).

IMPORTANT

- When disassembling the fuel system, make sure that the fuel valve closed.

- (1) Gas Mixer (3) Regulator
 (2) Gas Hose

9Y1210318ENS0053US0



Carburetor (Mechanical Governor) (WG972-E2, DF972-E2)

1. Disconnect the connector of LPG solenoid (for DF972) (4) and the connector of gasoline solenoid (3).
2. Disconnect the breather hose (1).
3. Remove the air cleaner flange (2) and air cleaner gasket.
4. Disconnect the governor rod (6) from the carburetor (7) and remove the carburetor (7).
5. Remove the carburetor flange and gasket.

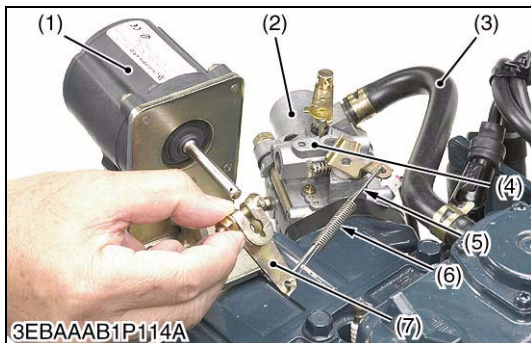
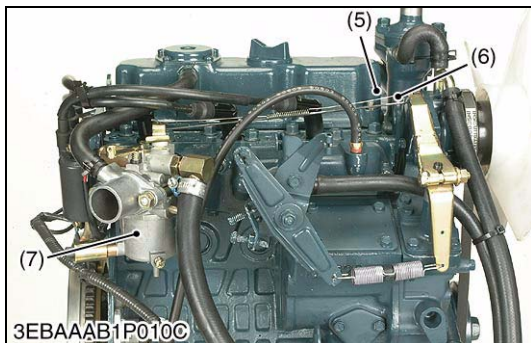
NOTE

- Do not bend the governor rod (6), when disassembling and assembling the carburetor (7).
- Do not stretch the governor rod spring (5) when disassembling and assembling the carburetor (7).

Tightening torque	Carburetor mounting nut	24 to 27 N·m 2.4 to 2.8 kgf·m 18 to 20 lbf·ft
-------------------	-------------------------	---

- (1) Breather Hose (5) Governor Rod spring
 (2) Air Cleaner Flange (6) Governor Rod
 (3) Gasoline Solenoid Connector (7) Carburetor
 (4) LPG Solenoid Connector

9Y1210318ENS0054US0



Governor Lever and Carburetor (Electronic Governor) (WG972-E2, DF972-E2)

1. Disconnect the connector of LPG solenoid (for DF972) and the connector of gasoline solenoid.
2. Loosen the governor lever nut.
3. Remove the governor lever (7) with governor rod (5) and governor rod spring (6).
4. Disconnect the breather hose (3).
5. Remove the air cleaner flange (2) and air cleaner gasket.
6. Remove the carburetor (4).
7. Remove the carburetor flange (8) and gasket.

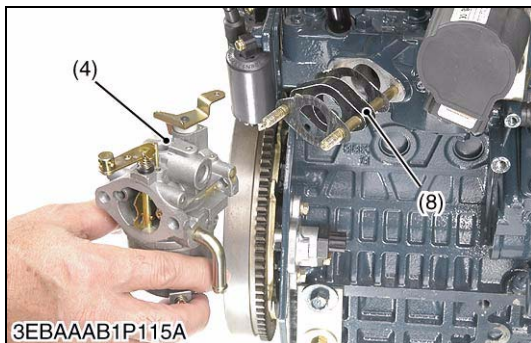
NOTE

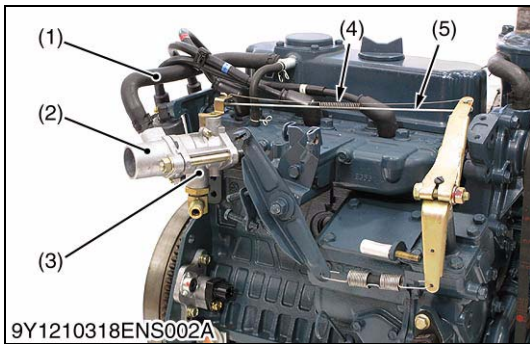
- Do not bend the governor rod (5), when disassembling and assembling the carburetor (4).
- Do not stretch the governor rod spring (6) when disassembling and assembling the carburetor (4).

Tightening torque	Carburetor mounting nut	24 to 27 N·m 2.4 to 2.8 kgf·m 18 to 20 lbf·ft
-------------------	-------------------------	---

- (1) Actuator (5) Governor Rod
 (2) Air Cleaner Flange (6) Governor Rod Spring
 (3) Breather Hose (7) Governor Lever
 (4) Carburetor (8) Carburetor Flange

9Y1210318ENS0055US0





Gas Mixer (DG972-E2)

1. Disconnect the breather hose (1).
2. Remove the air cleaner flange (2) and air cleaner gasket.
3. Disconnect the governor rod (5) and governor rod spring (4) from the gas mixer (3).
4. Remove the gas mixer (3).
5. Remove the carburetor flange and gasket.

■ **NOTE**

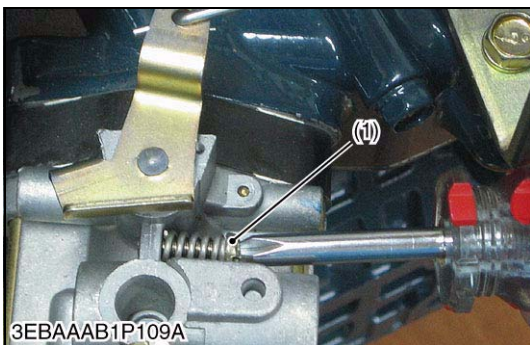
- **Do not bend the governor rod (5), when disassembling and assembling the gas mixer (3).**
- **Do not stretch the governor rod spring (4) when disassembling and assembling the gas mixer (3).**

Tightening torque	Gas mixer mounting nut	24 to 27 N·m 2.4 to 2.8 kgf·m 18 to 20 lbf·ft
-------------------	------------------------	---

- | | |
|------------------------|-------------------------|
| (1) Breather Hose | (4) Governor Rod Spring |
| (2) Air Cleaner Flange | (5) Governor Rod |
| (3) Gas Mixer | |

9Y1210318ENS0056US0

Adjust Governor Lever (Electronic Governor) (WG972-E2, DF972-E2)



1. Loosen the idling speed screw (1).
2. Loosen the governor lever nut (4).
3. Turn the actuator shaft (3) fully counterclockwise.
4. Turn the governor lever (5) fully counterclockwise.
5. Tighten the governor lever nut (4) to the torque value.

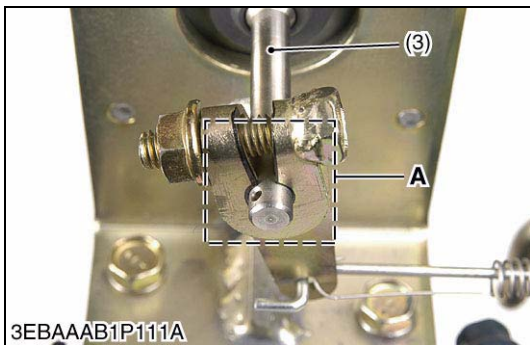
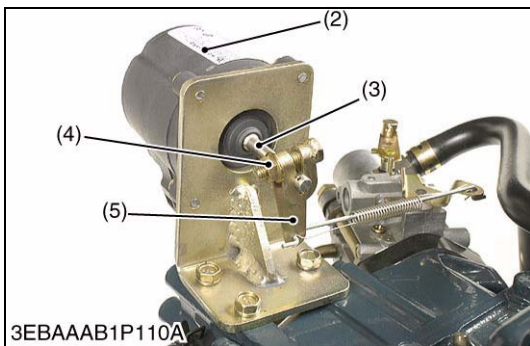
Tightening torque	Governor lever nut	9.81 to 11.2 N·m 1.00 to 1.15 kgf·m 7.24 to 8.31 lbf·ft
-------------------	--------------------	---

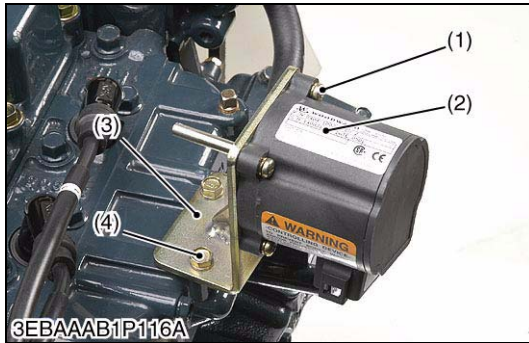
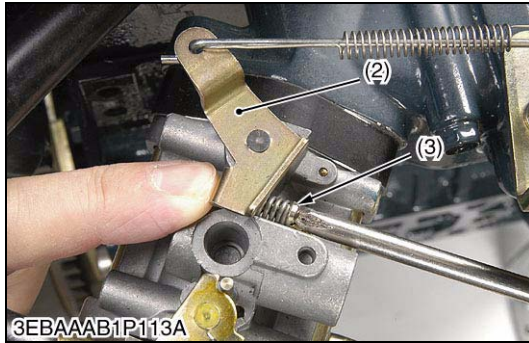
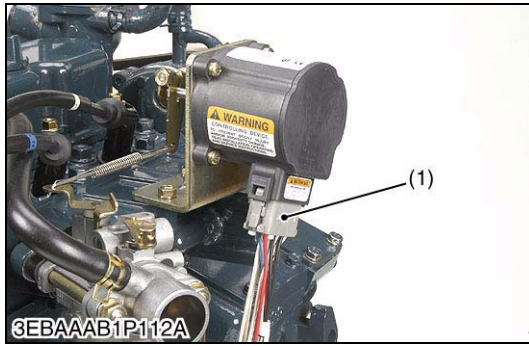
■ **NOTE**

- **Align governor lever (5) with pin hole of actuator shaft (A) and tighten nut (4).**
- **When starter switch turned on, the actuator will be in position control at the configured minimum position.**

- | | |
|------------------------|-----------------------------|
| (1) Idle Adjust Screw | (5) Governor Lever |
| (2) Actuator | |
| (3) Actuator Shaft | A : Setting Position |
| (4) Governor Lever Nut | |

9Y1210318ENS0057US0





**Adjust Throttle Lever (Electronic Governor)
(WG972-E2, DF972-E2)**

⚠ CAUTION

- Hold the throttle lever (2) by finger in the direction of the engine speed reduction so as not to overrun.
- The adjustment of the idle speed due to this process is not an adjustment of the final product.

1. Disconnect the connector (1) from actuator.
2. Start the engine while holding the throttle lever (2) at the idle position by hand.
3. Adjust the engine speed with the idle adjust screw (3) to 1200 min⁻¹ (rpm).

■ NOTE

- An electronic governor controls the engine speed between 1500 min⁻¹ (rpm) and 3600 min⁻¹ (rpm) through it depends on the applications.

- (1) Connector (3) Idle Adjust Screw
(2) Throttle Lever

9Y1210318ENS0058US0

Actuator (Electronic Governor) (WG972-E2, DF972-E2)

1. Remove the actuator mounting screw (1).
2. Remove the actuator (2).
3. Remove the actuator flange screw (4).
4. Remove the actuator flange (3).

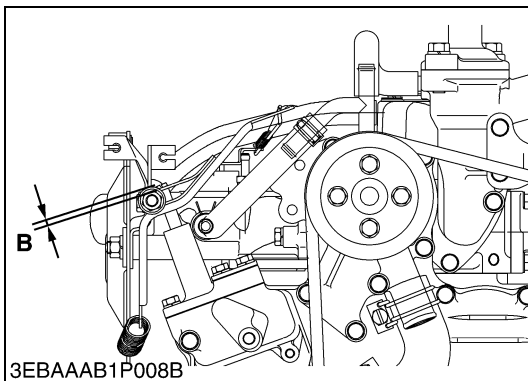
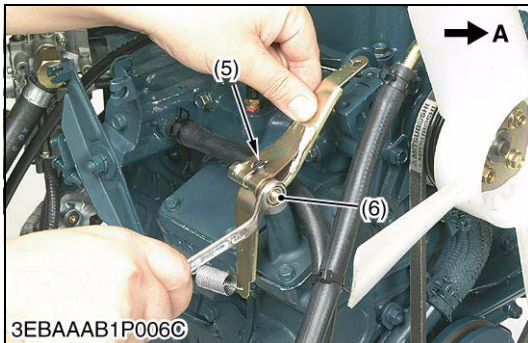
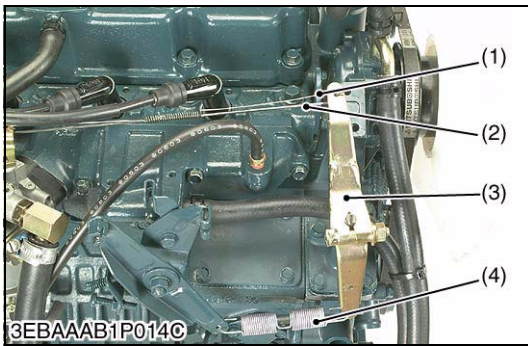
Tightening torque	Actuator mounting screw	4.5 to 5.3 N·m 0.45 to 0.55 kgf·m 3.3 to 3.9 lbf·ft
	Actuator flange screw	9.81 to 11.2 N·m 1.00 to 1.15 kgf·m 7.24 to 8.31 lbf·ft

⚠ CAUTION

- All electronic equipment is static-sensitive, some components more than others.
- To protect these components from static damage, you must take special precautions to minimize or eliminate electrostatic discharges.

- (1) Actuator Mounting Screw (3) Actuator Flange
(2) Actuator (4) Actuator Flange Screw

9Y1210318ENS0059US0



Governor Lever

1. Disconnect the governor rod (2) and rod spring (1) from governor lever (3).
2. Disconnect the governor spring (4) from governor lever.
3. Loosen the governor lever nut (6).
4. Remove the governor lever (3) from governor lever shaft (5).

(When reassembling)

- Loosen the governor lever nut (6).
- Set the throttle valve to the fully **"OPEN"** position with the governor lever (3), turn the groove on the governor lever shaft (5) fully clockwise with a screwdriver (to open the governor completely), and then tighten the nut (6) in this position.

Tightening torque	Governor lever nut	9.81 to 11.2 N·m 1.00 to 1.15 kgf·m 7.24 to 8.31 lbf·ft
-------------------	--------------------	---

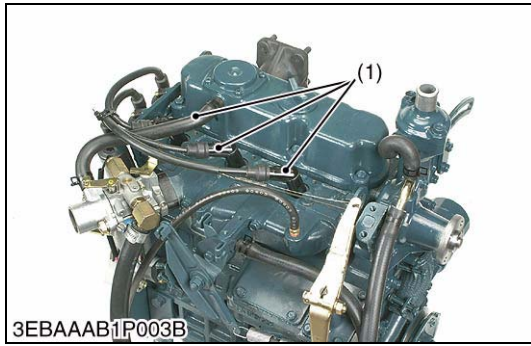
■ IMPORTANT

- **After assembly of engine is completed, the adjustment of governor is executed.**
- **Insert the governor lever to the position 2 mm (0.08 in.) (B) away from the governor lever shaft end.**

- (1) Governor Rod Spring
- (2) Governor Rod
- (3) Governor Lever
- (4) Governor Spring
- (5) Governor Lever Shaft
- (6) Governor Lever Nut

A : Open Direction
B : 2 mm (0.08 in.)

9Y1210318ENS0060US0

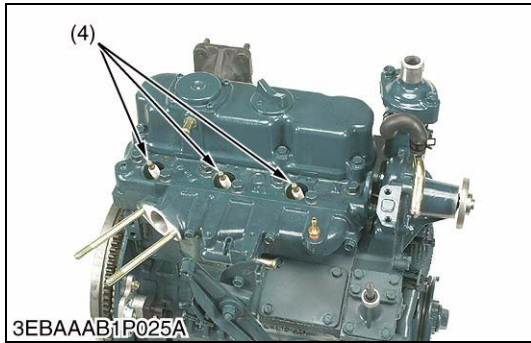
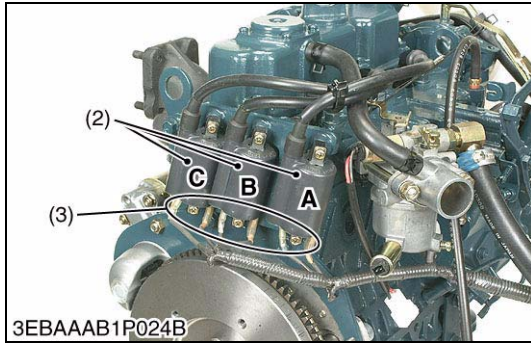


Ignition Coil and Spark Plug

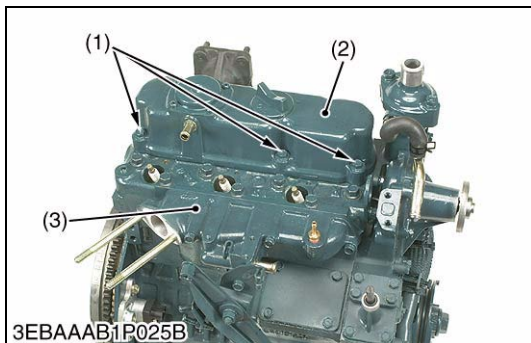
1. Disconnect the plug cap (1).
2. Disconnect the connector of ignition coil (3).
3. Remove the ignition coil (2).
A : for No. 1 cylinder
B : for No. 2 cylinder
C : for No. 3 cylinder
4. Remove the spark plug (4).

- | | |
|-------------------|-----------------------------|
| (1) Plug Cap | (3) Ignition Coil Connector |
| (2) Ignition Coil | (4) Spark Plug |

9Y1210318ENS0061US0



(3) Cylinder Head, Valves and Oil Pan



Cylinder Head Cover

1. Remove the head cover screws (1).
2. Remove the cylinder head cover (2).
3. Remove the intake manifold (3).

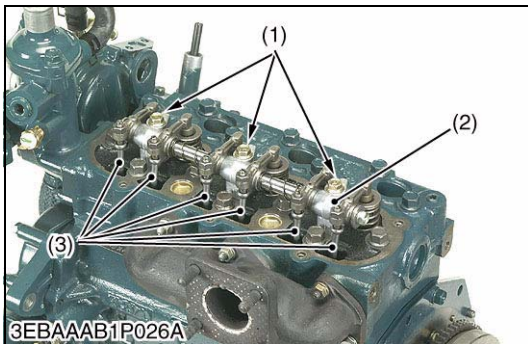
(When reassembling)

- Check to see if the cylinder head cover gasket is not defective.

Tightening torque	Cylinder head cover screw	9.81 to 11.2 N·m 1.00 to 1.15 kgf·m 7.24 to 8.31 lbf·ft
-------------------	---------------------------	---

- | | |
|-------------------------|---------------------|
| (1) Head Cover Screws | (3) Intake Manifold |
| (2) Cylinder Head Cover | |

9Y1210318ENS0062US0



Rocker Arm and Push Rod

1. Remove the rocker arm bracket screws (1).
2. Detach the rocker arm assembly (2).
3. Remove the push rods (3).

(When reassembling)

- When putting the push rods (3) onto the tappets (4), check to see if their ends are properly engaged with the dimples.

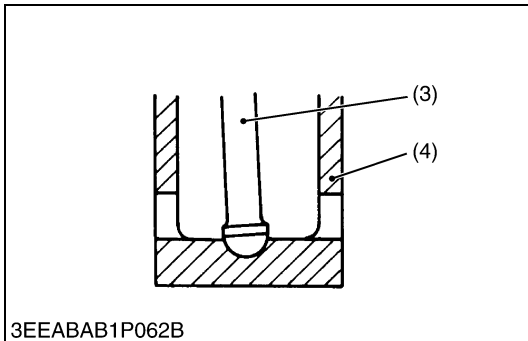
■ IMPORTANT

- **After installing the rocker arm, be sure to adjust the valve clearance.**

Tightening torque	Rocker arm bracket screw	12 to 14 N·m 1.2 to 1.5 kgf·m 8.7 to 10 lbf·ft
-------------------	--------------------------	--

- (1) Rocker Arm Bracket Screws (3) Push Rod
(2) Rocker Arm Assembly (4) Tappet

9Y1210318ENS0063US0



Cylinder Head

1. Loosen the pipe clamps (2), and remove the water return hose (1).
2. Remove the cylinder head screw in the order of (n) to (a).
3. Lift up the cylinder head to detach.
4. Remove the cylinder head gasket.

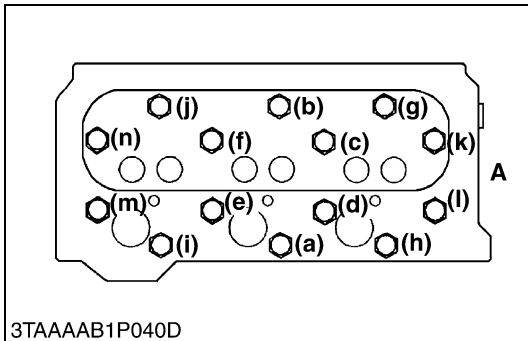
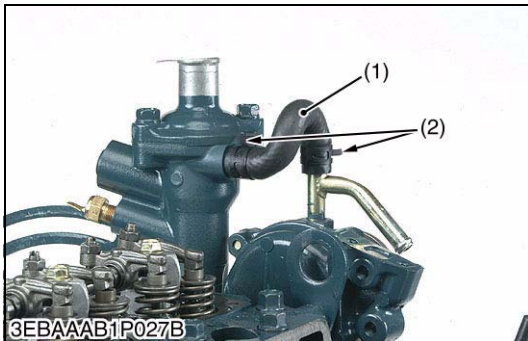
(When reassembling)

- Replace the cylinder head gasket with a new one.
- Tighten the cylinder head screws after applying sufficient oil.
- Tighten the cylinder head screws in order of (a) to (n).
- Tighten them uniformly, or the head may deform in the long run.

Tightening torque	Cylinder head screw	40 to 44 N·m 4.0 to 4.5 kgf·m 29 to 32 lbf·ft
-------------------	---------------------	---

- (1) Water Return Hose (2) Hose Clamp
A : Gear Case Side
(n) to (a) : To Loosen
(a) to (n) : To Tighten

9Y1210318ENS0064US0



Tappets

1. Remove the tappets (1) from the crankcase.

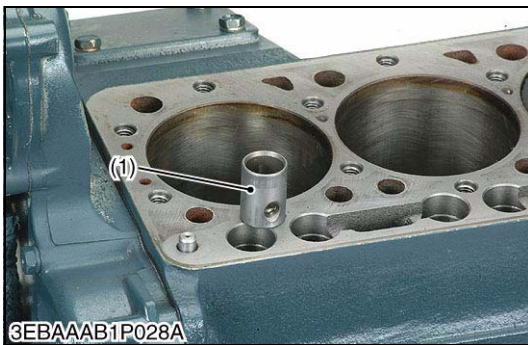
(When reassembling)

- Visually check the contact between tappets and cams for proper rotation. If defect is found, replace tappets.
- Before installing the tappets, apply engine oil thinly around them.

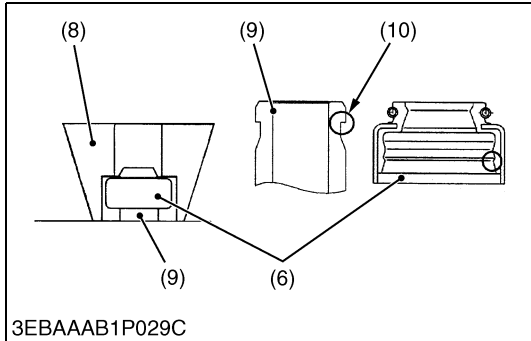
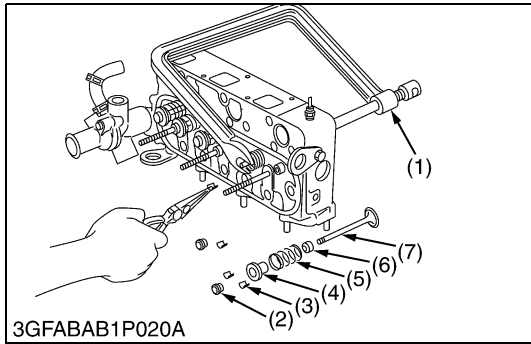
■ IMPORTANT

- **Do not change the combination of tappet and tappet guide.**

- (1) Tappet



9Y1210318ENS0065US0



Valves

1. Remove the valve caps (2).
2. Remove the valve spring collet (3), pushing the valve spring retainer (4) with valve spring replacer (1).
3. Remove the valve spring retainer (4), valve spring (5) and valve stem seal (6).
4. Remove the valve (7).

(When reassembling)

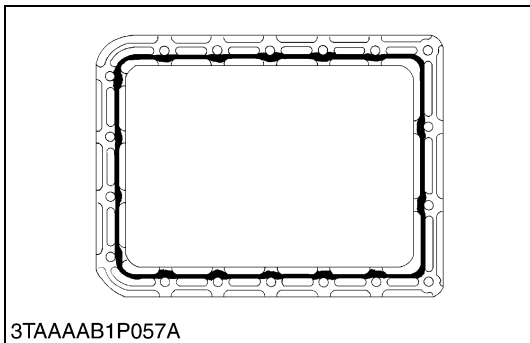
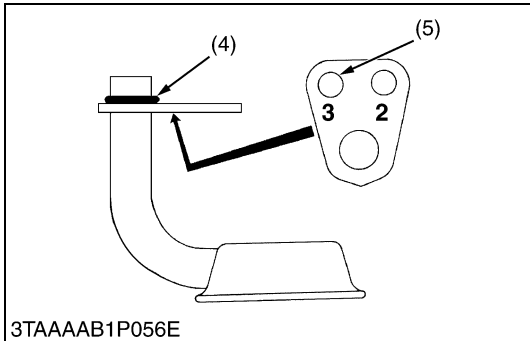
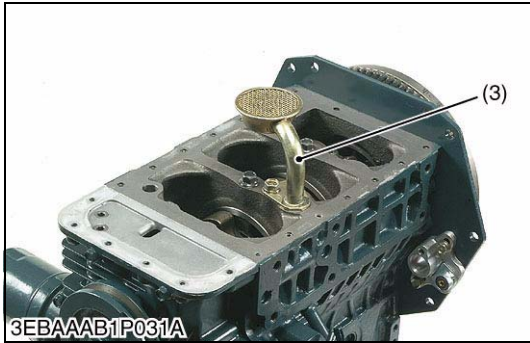
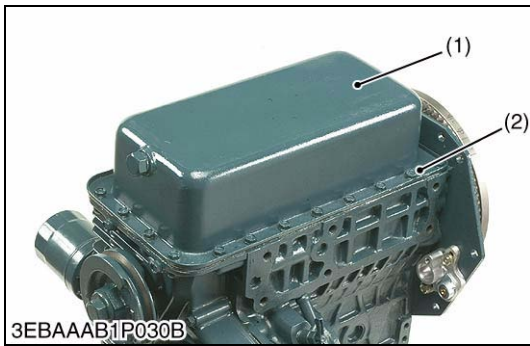
- Wash the valve stem and valve guide hole, and apply engine oil sufficiently.
- After installing the valve spring collets, lightly tap the stem to assure proper fit with a plastic hammer.
- Install a new stem seal on the valve guide (9) vertically with a jig (8) when insert the stem seal (6). (See page G-29: "Valve Stem Seal Replacing Tool".)

■ IMPORTANT

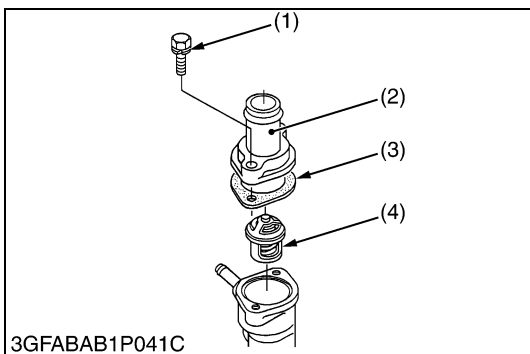
- **Be sure stem seal (6) seats firmly against groove (10) on valve guide.**
- **Use care to prevent damage to lip of stem seal and valve stem when detach the valve spring collet by compressing the valve spring.**
- **Do not change the combination of valve and valve guide.**

- | | |
|---------------------------|----------------------------|
| (1) Valve Spring Replacer | (6) Valve Stem Seal |
| (2) Valve Cap | (7) Valve |
| (3) Valve Spring Collet | (8) Jig |
| (4) Valve Spring Retainer | (9) Valve Guide |
| (5) Valve Spring | (10) Groove of Valve Guide |

9Y1210318ENS0066US0



(4) Thermostat



Oil Pan and Oil Strainer

1. Remove the oil pan mounting screws (2).
2. Remove the oil pan (1) by lightly tapping the rim of the pan with a wooden hammer.
3. Remove the oil strainer (3).

(When reassembling)

- After cleaning the oil strainer, check to see that the filter mesh is clean, and install it.
- Visually check the O-ring (4), apply engine oil, and install it.
- Securely fit the O-ring to the oil strainer.
- To avoid uneven tightening, tighten oil pan mounting screws in diagonal order from the center.
- Using the hole (5) numbered "3", install the oil strainer by mounting screw.

■ IMPORTANT

- **Scrape off the old adhesive completely. Wipe the sealing surface clean. Now apply new adhesive 3.0 to 5.0 mm (0.12 to 0.19 in.) thick all over the contact surface. Apply the adhesive also on the center of the flange as well as on the inner wall of each bolt hole.**
- **Cut the nozzle of the "liquid gasket" (Three Bond 1207D or equivalent) container at its second notch. Apply "liquid gasket" about 5.0 mm (0.19 in.) thick. Within 20 minutes after the application of fluid sealant, reassemble the components. Wait then for about 30 minutes, and pour oil in the crankcase.**

- | | |
|----------------------------|-----------------------|
| (1) Oil Pan | (4) O-ring |
| (2) Oil Pan Mounting Screw | (5) Hole Numbered "3" |
| (3) Oil Strainer | |

9Y1210318ENS0067US0

Thermostat Assembly

1. Remove the thermostat cover mounting screws (1), and remove the thermostat cover (2).
2. Remove the thermostat assembly (4).

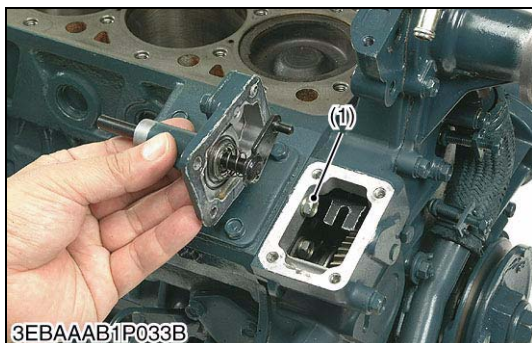
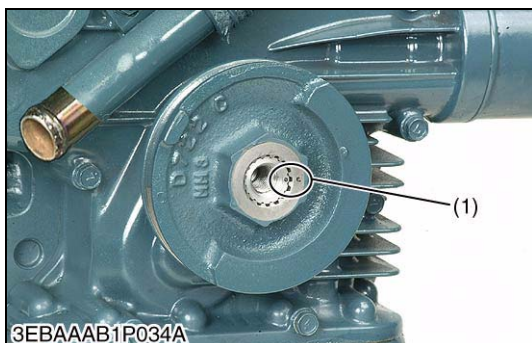
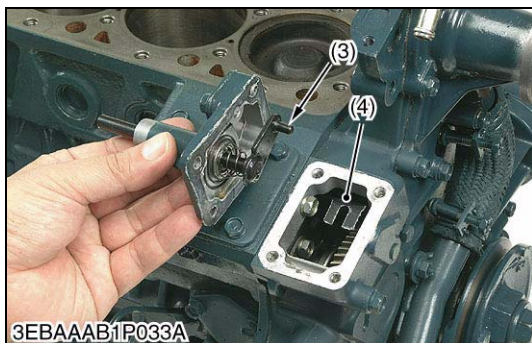
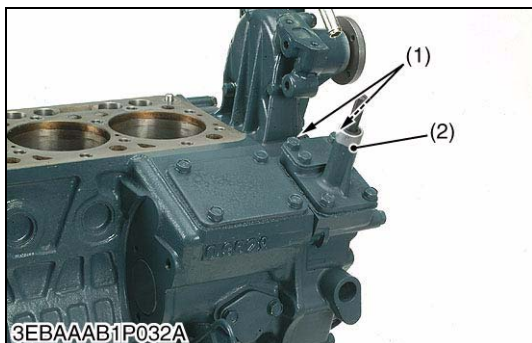
(When reassembling)

- Apply a liquid gasket (Three Bond 1215 or equivalent) only at the thermostat cover side of the gasket (3).

- | | |
|-------------------------------------|-----------------------------|
| (1) Thermostat Cover Mounting Screw | (3) Thermostat Cover Gasket |
| (2) Thermostat Cover | (4) Thermostat Assembly |

9Y1210318ENS0068US0

(5) Timing Gear, Camshaft and Fuel Camshaft



Speed Control Plate

1. Remove the screws (1) and separate the speed control plate (2).

(When reassembling)

- Remove the speed control plate (for mechanical governor only) (2) and make sure that the governor lever shaft (3) is correctly set in the governor fork (4).

NOTE

- **Electronic governor specification engine has modified from speed control plate to cover plate.**

- | | |
|-------------------------------|--------------------------|
| (1) Screws and Copper Washers | (3) Governor Lever Shaft |
| (2) Speed Control Plate | (4) Governor Fork |

9Y1210318ENS0069US0

Fan Drive Pulley

1. Secure the flywheel to keep it from turning.
2. Remove the fan drive pulley screw.
3. Draw out the fan drive pulley with a puller.

(When reassembling)

- Install the pulley to the crankshaft, aligning the mark (1) on them.
- Apply engine oil to the fan drive pulley retaining screws. And tighten them.

Tightening torque	Fan drive pulley screw	118 to 127 N·m 12.0 to 13.0 kgf·m 86.8 to 94.0 lbf·ft
-------------------	------------------------	---

- (1) Alignment Mark

9Y1210318ENS0070US0

Gear Case

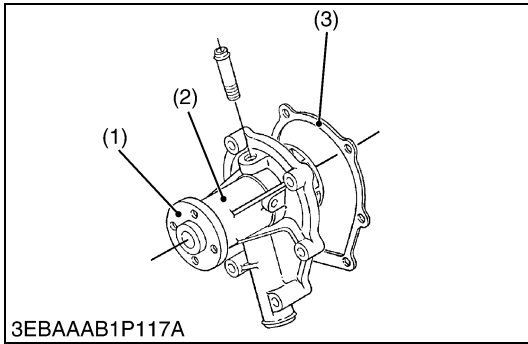
1. Remove the screw (1) of inside the gear case and outside screws.
2. Remove the gear case (2).

(When reassembling)

- Apply a liquid gasket (Three Bond 1215 or equivalent) to both sides of the gear case gasket.
- Be sure to set three O-rings inside the gear case.

- | | |
|--------------------|---------------|
| (1) Screw (Inside) | (2) Gear Case |
|--------------------|---------------|

9Y1210318ENS0071US0



3EBAAAB1P117A

Water Pump Assembly

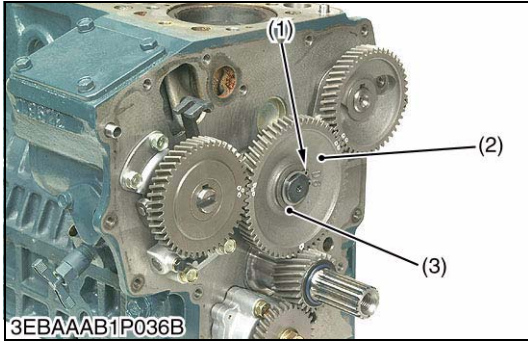
1. Remove the water pump assembly (2) from the gear case cover.

(When reassembling)

- Apply a liquid gasket (Three Bond 1215 or equivalent) to both sides of water pump gasket (3).

- (1) Water Pump Flange
- (2) Water Pump Assembly
- (3) Water Pump Gasket

9Y1210318ENS0072US0



3EBAAAB1P036B

Idle Gear

1. Remove the external snap ring (1), the collar (3) and the idle gear (2).
2. Remove the idle gear shaft mounting screws (4).
3. Remove the idle gear shaft (5).

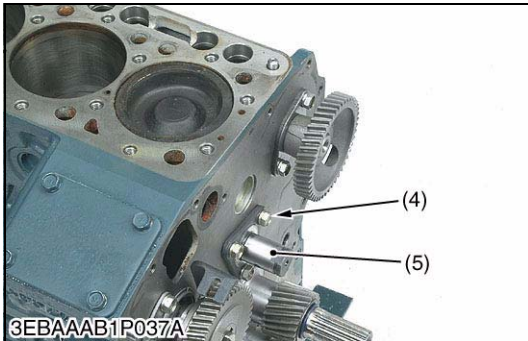
(When reassembling)

- Apply engine oil to the idle gear shaft mounting screw (4). And tighten them.
- Install the idle gear, aligning the mark (6) on the gears referring to the photo.

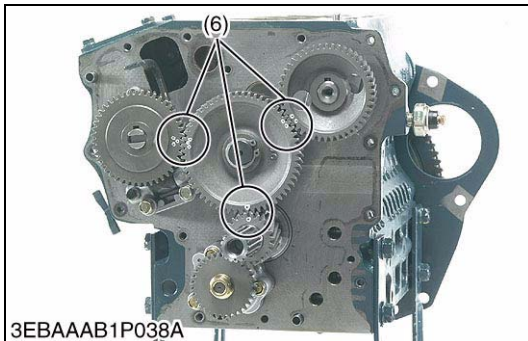
Tightening torque	Idle gear shaft mounting screw	9.81 to 11.2 N·m 1.00 to 1.15 kgf·m 7.24 to 8.31 lbf·ft
-------------------	--------------------------------	---

- (1) External Snap Ring
- (2) Idle Gear
- (3) Idle Gear Collar
- (4) Idle Gear Shaft Mounting Screw
- (5) Idle Gear Shaft
- (6) Alignment Mark

9Y1210318ENS0073US0



3EBAAAB1P037A



3EBAAAB1P038A

Camshaft

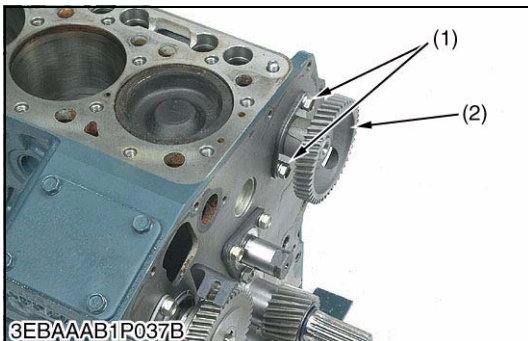
1. Remove the camshaft mounting screws (1) and draw out the camshaft with gear (2) on it.

(When reassembling)

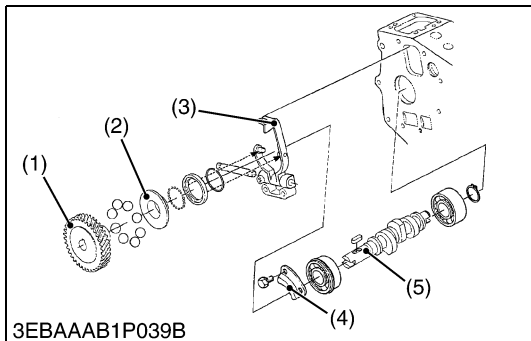
- When install the camshaft, apply engine oil to the camshaft journals.
- Apply engine oil to the camshaft mounting screws. And tighten them.

- (1) Camshaft Mounting Screw
- (2) Camshaft Gear

9Y1210318ENS0074US0



3EBAAAB1P037B



3EBAAAB1P039B

Fuel Camshaft

1. Remove the retaining plate (4).
2. Remove the fork lever holder (for mechanical governor only) mounting screws (6), then draw out the injection pump gear (1) and fuel camshaft (5) with the governor fork assembly.

■ **NOTE**

- **Electronic governor specification engine does not install the fork lever (3) and governor assembly.**

- | | |
|-------------------------|--------------------------------------|
| (1) Injection Pump Gear | (4) Retaining Plate |
| (2) Governor Sleeve | (5) Fuel Camshaft |
| (3) Fork Lever | (6) Fork Lever Holder Mounting Screw |

9Y1210318ENS0075US0



3EBAAAB1P040A

Oil Pump and Crankshaft Gear

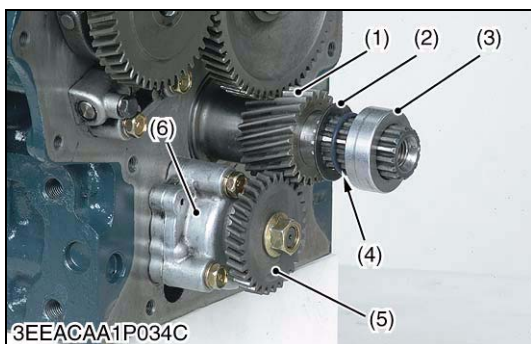
1. Remove the oil pump gear (5).
2. Remove the oil pump (6).
3. Remove the collar (3), O-ring (4) and crankshaft oil slinger (2).

(When reassembling)

- Install the collar (3) after aligning the marks on the gear.

- | | |
|----------------------------|-------------------|
| (1) Crankshaft Gear | (4) O-ring |
| (2) Crankshaft Oil Slinger | (5) Oil Pump Gear |
| (3) Crankshaft Collar | (6) Oil Pump |

9Y1210318ENS0076US0



3EEACAA1P034C

(6) Piston and Connecting Rod



3EEACAA1P075A

Connecting Rod Cap

1. Remove the connecting rod caps (1) using a hexagonal 8 mm socket.

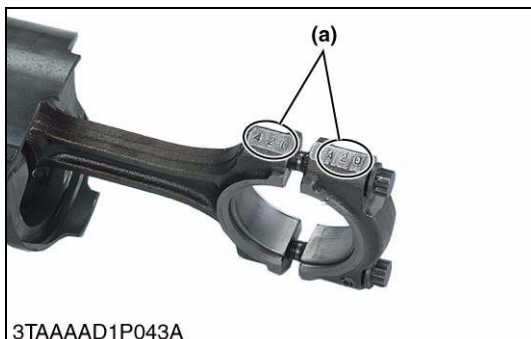
(When reassembling)

- Align the marks (a) with each other. (Face the marks toward the intake manifold.)
- Apply engine oil to the connecting rod screws and lightly screw it in by hand, then tighten it to the specified torque.
If the connecting rod screw won't be screwed in smoothly, clean the threads.
If the connecting rod screw is still hard to screw in, replace it.

Tightening torque	Connecting rod screw	27 to 30 N·m 2.7 to 3.1 kgf·m 20 to 22 lbf·ft
-------------------	----------------------	---

- | | |
|------------------------|----------|
| (1) Connecting Rod Cap | (a) Mark |
|------------------------|----------|

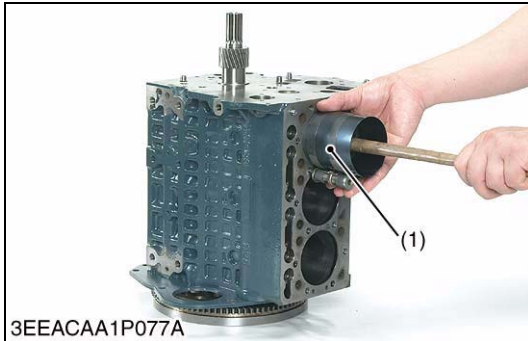
9Y1210318ENS0077US0



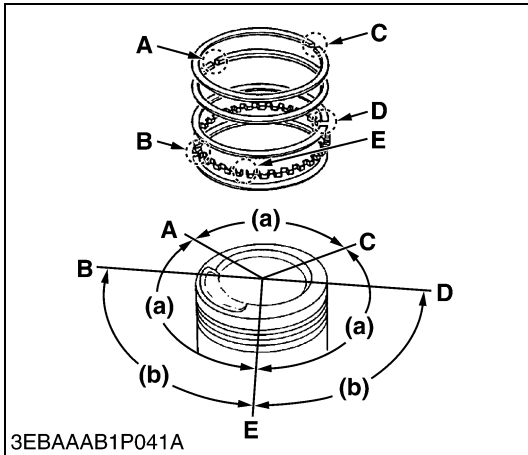
3TAAAD1P043A



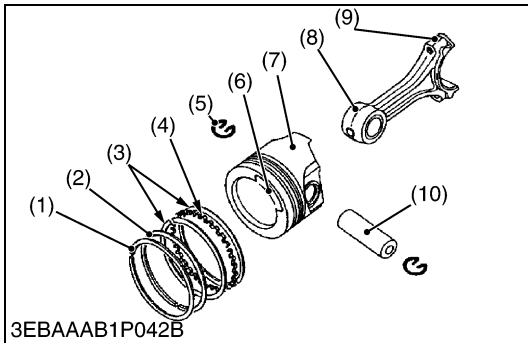
3EEACAA1P076A



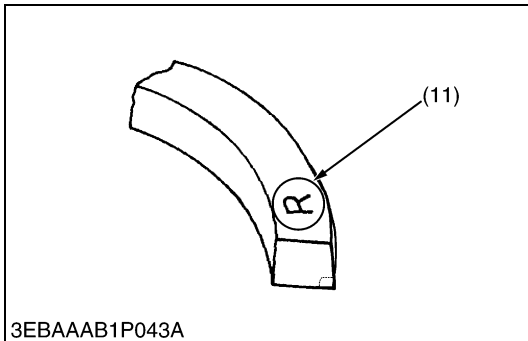
3EEACAA1P077A



3EBAAAB1P041A



3EBAAAB1P042B



3EBAAAB1P043A

Piston

1. Turn the flywheel and bring the piston to top dead center.
2. Draw out the piston upward by lightly tapping it from the bottom of the crankcase with the grip of a hammer.
3. Draw out the other pistons after the same method as above.

(When reassembling)

- Before inserting the piston into the cylinder, apply enough engine oil to the piston.
- When inserting the piston into the cylinder, face the mark on the connecting rod to the fuel camshaft.
- When inserting the piston into the cylinder, place the gap "C" of the top compression ring on the opposite side of the slant portion, and stagger the gaps "A", "E" of the second compression ring and spacer making 2.09 rad (120 °) from the gap of the top compression ring. Further, stagger the gaps "D", "B" of the upper and lower side rail making 1.6 rad (90 °) from the gap of the spacer.

■ IMPORTANT

- Do not change the combination of cylinder and piston. Make sure of the position of each piston by marking. For example, mark "1" on the No. 1 piston.
- When installing the piston into the cylinder, place the gaps of all of the piston rings as shown in the figure.
- Carefully insert the piston using a piston ring compressor (1). Otherwise, their chrome-plated section may be scratched, causing trouble inside the cylinder.

- | | |
|----------------------------|-------------------|
| (1) Piston Ring Compressor | D : Side Rail Gap |
| | E : Spacer Gap |

- | | |
|---------------------------------|----------------------|
| A : Second Compression Ring Gap | (a) 2.09 rad (120 °) |
| B : Side Rail Gap | (b) 1.6 rad (90 °) |
| C : Top Compression Ring Gap | |

9Y1210318ENS0078US0

Piston Ring and Connecting Rod

1. Remove the piston rings using a piston ring tool.
2. Remove the piston pin (10), and separate the connecting rod (8) from the piston (7).

(When reassembling)

- When installing the second compression ring (2), assemble the rings so that the manufacturer's mark (11) near the gap faces the top of the piston.
- Apply engine oil to the piston pin.
- When installing the connecting rod to the piston, immerse the piston in 80 °C (176 °F) oil for 10 to 15 minutes and insert the piston pin to the piston.
- When installing the connecting rod to the piston, align the mark (9) on the connecting rod to the plug recess (6).

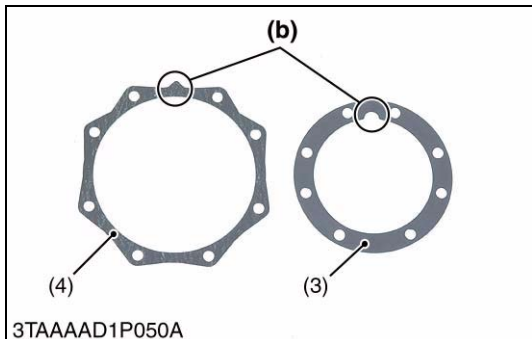
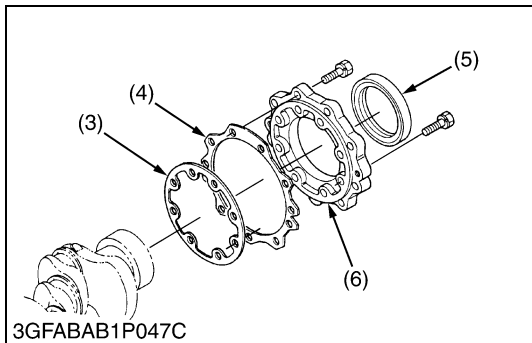
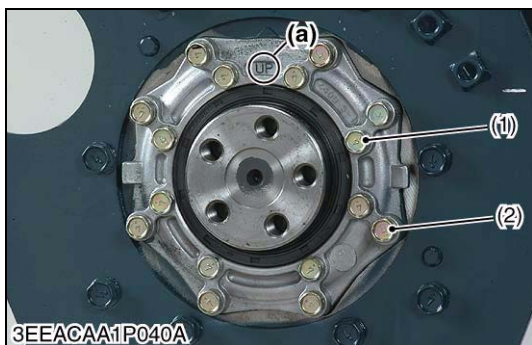
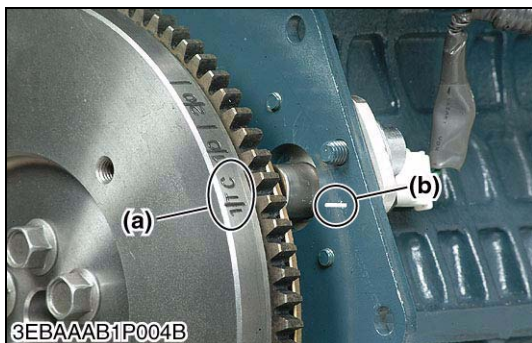
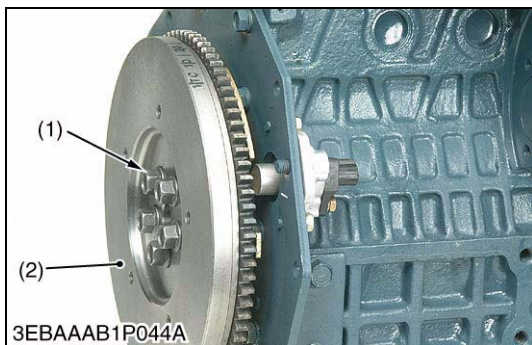
■ IMPORTANT

- Mark the same number on the connecting rod and the piston so as not to change the combination.

- | | |
|--------------------------|--------------------------|
| (1) Top Ring | (7) Piston |
| (2) Second Ring | (8) Connecting Rod |
| (3) Side Rail | (9) Mark |
| (4) Spacer | (10) Piston Pin |
| (5) Piston Pin Snap Ring | (11) Manufacturer's Mark |
| (6) Plug Recess | |

9Y1210318ENS0079US0

(7) Crankshaft



Flywheel

1. Secure the flywheel to keep it from turning using a flywheel stopper.
2. Remove all flywheel screws (1) and then remove the flywheel (2).

(When reassembling)

- Align the "1TC" mark (a) on the outer surface of the flywheel horizontally with the alignment mark (b) on the rear end plate. Now fit the flywheel in position.
- Apply engine oil to the threads and the undercut surface of the flywheel screw and fit the screw.

Tightening torque	Flywheel screw	54 to 58 N·m 5.5 to 6.0 kgf·m 40 to 43 lbf·ft
-------------------	----------------	---

- (1) Flywheel Screw
- (2) Flywheel
- (a) 1TC Mark
- (b) Alignment Mark

9Y1210318ENS0080US0

Bearing Case Cover

1. Remove the bearing case cover mounting screws. First, remove inside screws (1) and then outside screws (2).
2. Remove the bearing case cover (6).

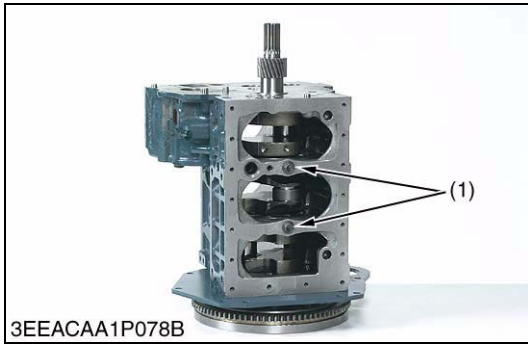
(When reassembling)

- Fit the bearing case gasket (3) and the bearing case cover gasket (4) with correct directions.
- Install the bearing case cover (6) to position the casting mark "UP" (a) on it upward.
- Apply engine oil to the oil seal (5) lip and take care that it is not rolled when installing.
- Tighten the bearing case cover mounting screws with even force on the diagonal line.

Tightening torque	Bearing case cover mounting screw	9.81 to 11.2 N·m 1.00 to 1.15 kgf·m 7.24 to 8.31 lbf·ft
-------------------	-----------------------------------	---

- (1) Bearing Case Cover Mounting Screw (Inside)
- (2) Bearing Case Cover Mounting Screw (Outside)
- (3) Bearing Case Gasket
- (4) Bearing Case Cover Gasket
- (5) Oil Seal
- (6) Bearing Case Cover
- (a) Top Mark "UP"
- (b) Upside

9Y1210318ENS0081US0

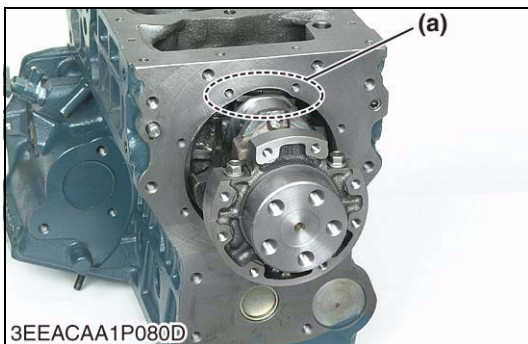
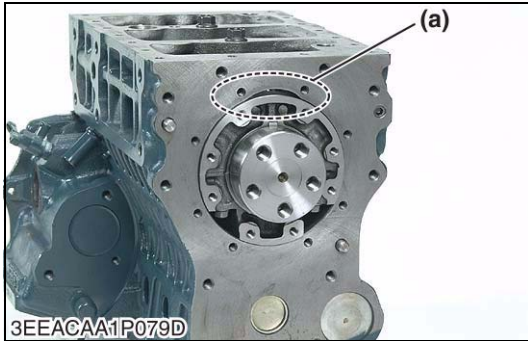


Crankshaft Assembly

1. Remove the main bearing case screw 2 (1).
2. Turn the crankshaft to set the crankpin of the third cylinder to the bottom dead center. Then draw out the crankshaft until the crankpin of the second cylinder comes to the center of the third cylinder.
3. Turn the crankshaft by 2.09 rad (120 °) counterclockwise to set the crankpin of the second cylinder to the bottom dead center. Draw out the crankshaft until the crankpin of the first cylinder comes to the center of the third cylinder.
4. Repeat the above steps to draw out all the crankshaft.

(When reassembling)

- Clean the oil passage of the crankshaft with compressed air.
- Install the crankshaft assembly, aligning the screw hole of main bearing case screw 2 with the screw hole of crankcase.
- When tightening the main bearing case screw 2, apply oil to the main bearing case screw 2 (1) and screw by hand before tightening the specific torque. If not smooth to screw by hand, align the screw holes between the crankcase and the main bearing case.

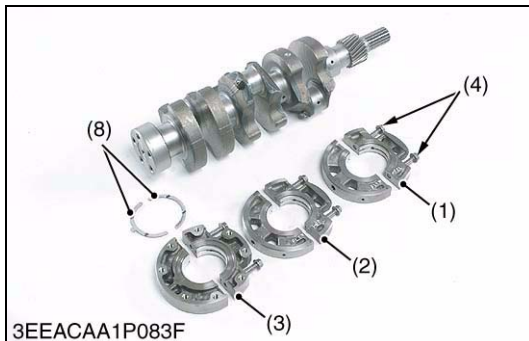
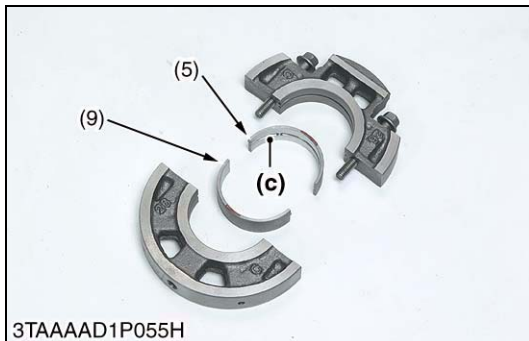
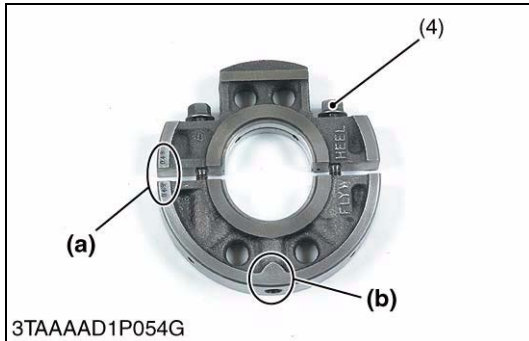
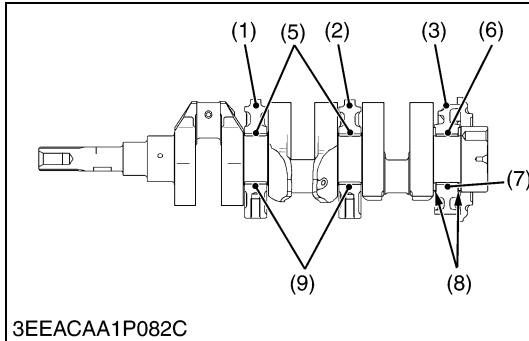
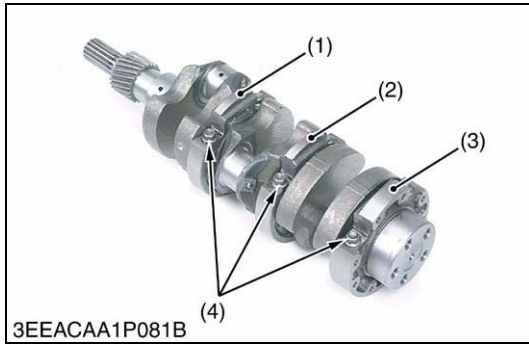


Tightening torque	Main bearing case screw 2	27 to 30 N·m
		2.7 to 3.1 kgf·m
		20 to 22 lbf·ft

(1) Main Bearing Case Screw 2

(a) Cut Place for Removing and Installing the Crankshaft

9Y1210318ENS0082US0



Main Bearing Case Assembly

1. Remove the two main bearing case screws 1 (4), and remove the main bearing case assembly 1 (1), being careful with crankshaft bearing 3 (5) (9).
2. Remove the main bearing case assembly 2 (2) and the main bearing case assembly (3) as above. Keep in mind, however, that the thrust bearing (8) is installed in the main bearing case assembly (3).

(When reassembling)

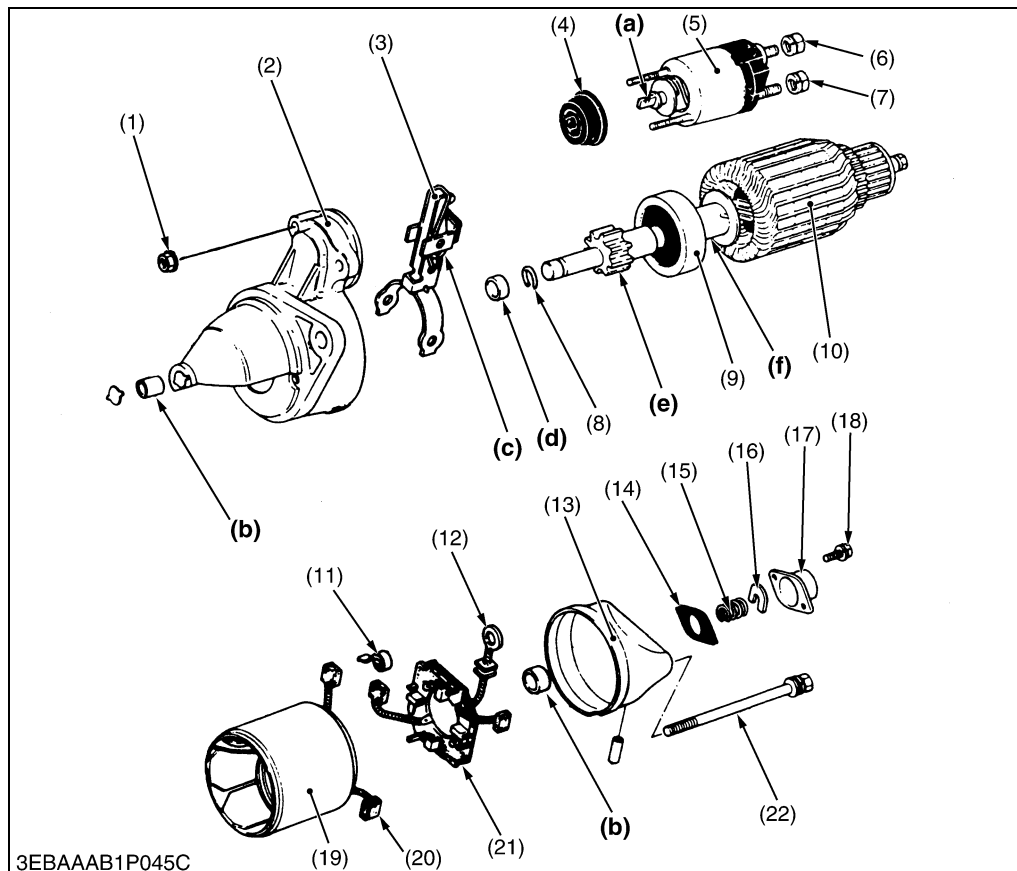
- Clean the oil passage in the main bearing cases.
- Apply clean engine oil to the bearings.
- Install the main bearing case assemblies in original positions. Since diameters of main bearing cases vary, install them in order of marking **(b)** from the gear case side. (Refer to the figure.)
- Be careful not to confuse the top and bottom of the crankshaft bearing 3 (5) (9). (Install the bearing with the oil groove **(c)** up.)
- Match the alignment numbers **(a)** on the main bearing case assembly 1.
- Do the same for the main bearing case assembly 2 (2) and the main bearing case assembly (3) too.
- When installing the main bearing case 1 and 2, face the mark "FLYWHEEL" to the flywheel.
- Install the thrust bearing (8) with its oil groove facing outward.
- Confirm that the main bearing case moves smoothly after tightening the main bearing case screw 1 to the specified torque.

Tightening torque	Main bearing case screw 1	13 to 15 N·m 1.3 to 1.6 kgf·m 9.4 to 11 lbf·ft
-------------------	---------------------------	--

- (1) Main Bearing Case Assembly 1
 - (2) Main Bearing Case Assembly 2
 - (3) Main Bearing Case Assembly
 - (4) Main Bearing Case Screw 1
 - (5) Crankshaft Bearing 3 (Upper, with Oil Groove)
 - (6) Crankshaft Bearing 2 (Upper, with Oil Groove)
 - (7) Crankshaft Bearing 2 (Lower)
 - (8) Thrust Bearing
 - (9) Crankshaft Bearing 3 (Lower)
- (a) Alignment Number**
 - (b) Marking (1 or 2)**
 - (c) Oil Groove**

9Y1210318ENS0083US0

(8) Starter



- (1) Solenoid Switch Mounting Nut
- (2) Starter Drive Housing
- (3) Drive Lever
- (4) Gasket
- (5) Solenoid Switch
- (6) **B** Terminal Nut
- (7) **C** Terminal Nut
- (8) Snap Ring
- (9) Overrunning Clutch
- (10) Armature
- (11) Brush Spring
- (12) Connecting Lead
- (13) Rear End Frame
- (14) Gasket
- (15) Brake Spring
- (16) Brake Shoe
- (17) End Frame Cap
- (18) Screw
- (19) Yoke
- (20) Brush
- (21) Brush Holder
- (22) Through Bolt

1. Unscrew the **C** terminal nut (7), and disconnect the connecting lead (12).
2. Unscrew the solenoid switch mounting nuts (1), and remove the solenoid switch (5).
3. Remove the end frame cap (17).
4. Remove the brake shoe (16), brake spring (15) and gasket (14).
5. Unscrew the through bolts (22), and remove the rear end frame (13).
6. Remove the brush from the brush holder while holding the spring up.
7. Remove the brush holder (21).
8. Draw out the yoke (19) from the starter drive housing (2).
9. Draw out the armature (10) with the drive lever (3).

■ **NOTE**

- **Do not damage to the brush and commutator.**

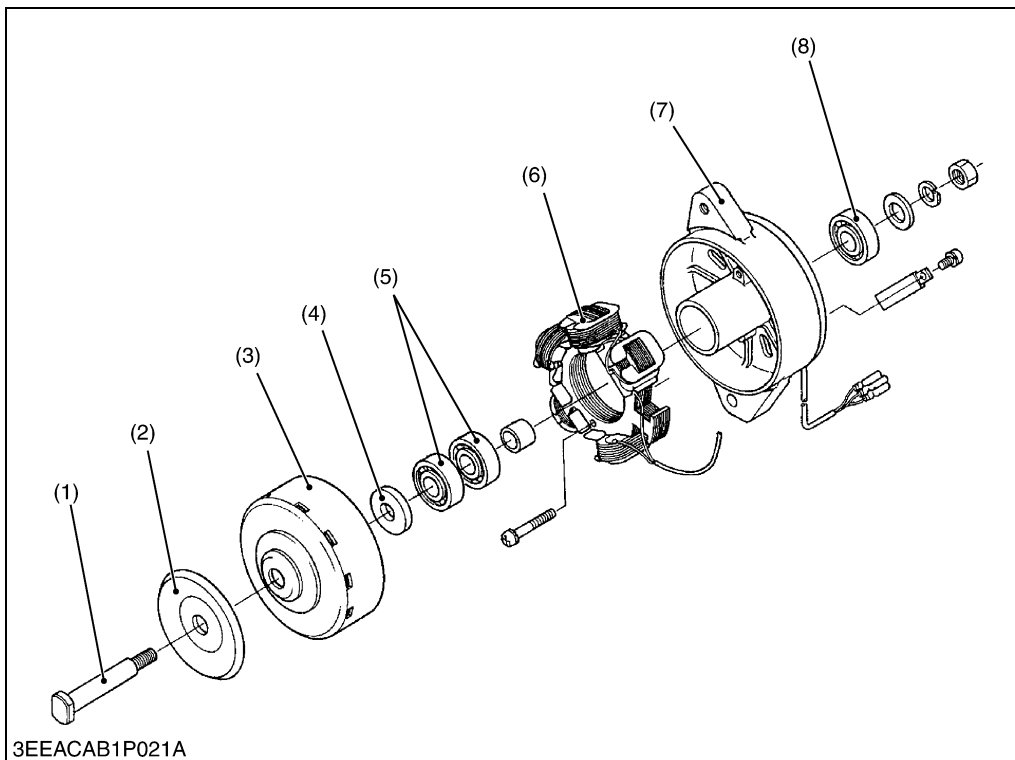
(When reassembling)

- Apply grease (DENSO.CO.LTD. No. 50 or equivalent) to the parts indicated in the figure.
 - Joint of solenoid switch **(a)**
 - Bushing **(b)**
 - Drive lever **(c)**
 - Collar **(d)**
 - Teeth of pinion gear **(e)**
 - Armature shaft **(f)**

Tightening torque	Starter's terminal B mounting nut	5.9 to 11 N·m 0.60 to 1.2 kgf·m 4.4 to 8.6 lbf·ft
-------------------	--	---

9Y1210318ENS0084US0

(9) Dynamo



- (1) Shaft
- (2) Pulley
- (3) Rotor
- (4) Collar
- (5) Bearing
- (6) Stator
- (7) Plate
- (8) Bearing

3EEACAB1P021A

1. Remove the nut and separate the plate (7).
2. Tap out the shaft (1) from the rotor (3).
3. Unscrew the screws and remove the stator (6).

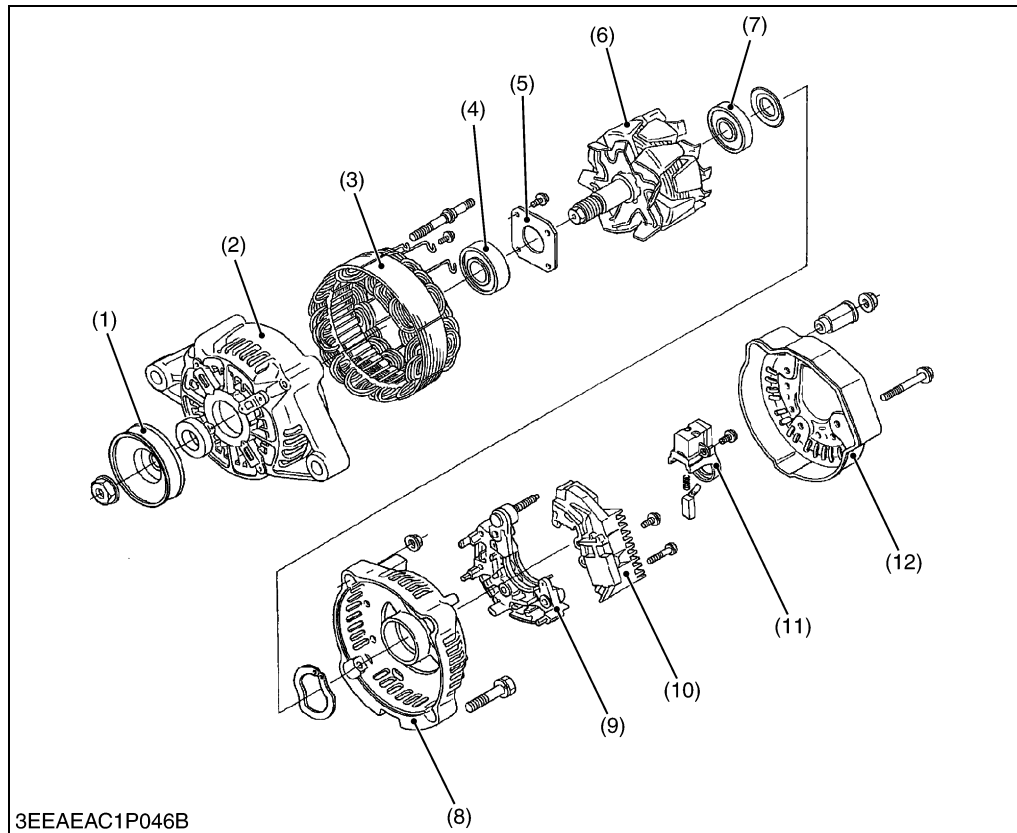
(When reassembling)

- Take care the direction of the collar (4), the flat side should face to the pulley side.

Tightening torque	Dynamo's pulley nut	40 to 44 N·m 4.0 to 4.5 kgf·m 29 to 32 lbf·ft
-------------------	---------------------	---

9Y1210318ENS0085US0

(10) Alternator



- (1) Pulley
- (2) Drive End Frame
- (3) Stator
- (4) Bearing
- (5) Retainer Plate
- (6) Rotor
- (7) Bearing
- (8) Rear End Frame
- (9) Rectifier
- (10) IC Regulator
- (11) Brush Holder
- (12) Rear End Cover

1. Remove the pulley (1).
2. Remove the rear end cover (12).
3. Remove the brush holder (11).
4. Remove the IC regulator (10).
5. Remove the four screws holding the stator lead wires.
6. Remove the rectifier (9).
7. Remove the rear end frame (8).
8. Press out the rotor (6) from drive end frame (2).
9. Remove the retainer plate (5).
10. Press out the bearing (4) from drive end frame (2) with a press and jig.
11. Lightly secure the rotor with a vise to prevent damage, and remove the bearing (7) with a puller.

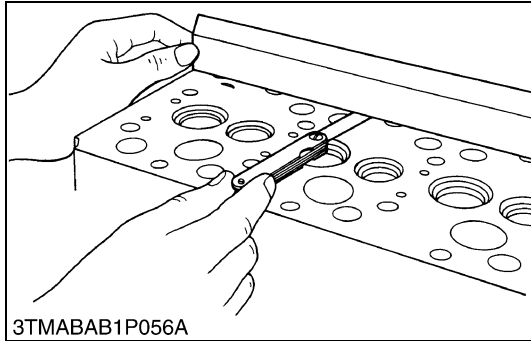
(When reassembling)

Tightening torque	Alternator's pulley nut	58.4 to 78.9 N·m 5.95 to 8.05 kgf·m 43.1 to 58.2 lbf·ft
-------------------	-------------------------	---

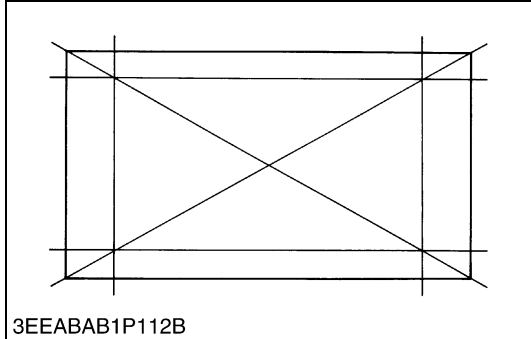
9Y1210318ENS0086US0

[3] SERVICING

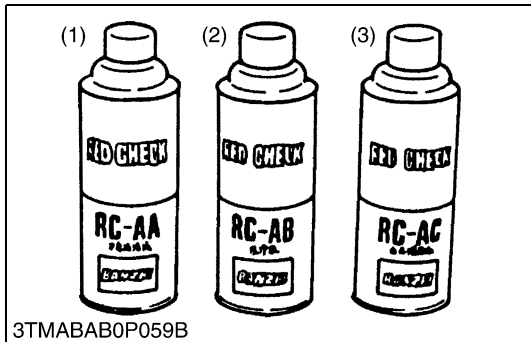
(1) Cylinder Head and Valves



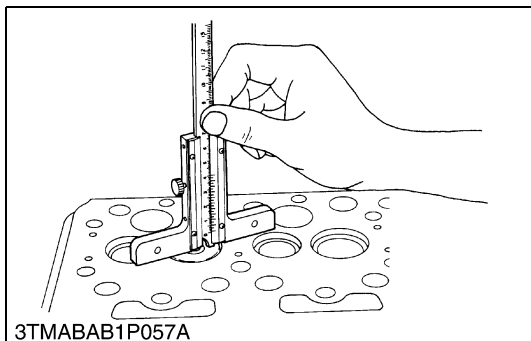
3TMABAB1P056A



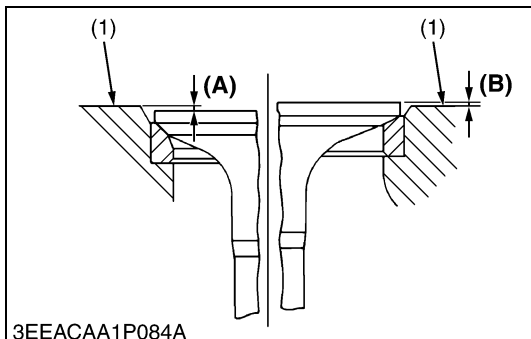
3EEABAB1P112B



3TMABAB0P059B



3TMABAB1P057A



3EEACAA1P084A

Cylinder Head Surface Flatness

1. Clean the cylinder head surface.
2. Place a straightedge on the cylinder head's four sides and two diagonal as shown in the figure. Measure the clearance with a feeler gauge.
3. If the measurement exceeds the allowable limit, correct it with a surface grinder.

■ IMPORTANT

- Be sure to check the valve recessing after correcting.

Cylinder head surface flatness	Allowable limit	0.05 mm 0.002 in.
--------------------------------	-----------------	----------------------

9Y1210318ENS0087US0

Cylinder Head Flaw

1. Prepare an air spray red check.
2. Clean the surface of the cylinder head with the detergent (2).
3. Spray the cylinder head surface with the red permeative liquid (1). Leave it five to ten minutes after spraying.
4. Wash away the red permeative liquid on the cylinder head surface with the detergent (2).
5. Spray the cylinder head surface with the white developer (3).
6. If flawed, it can be identified as red marks.

- (1) Red Permeative Liquid
(2) Detergent

- (3) White Developer

9Y1210318ENS0088US0

Valve Recessing

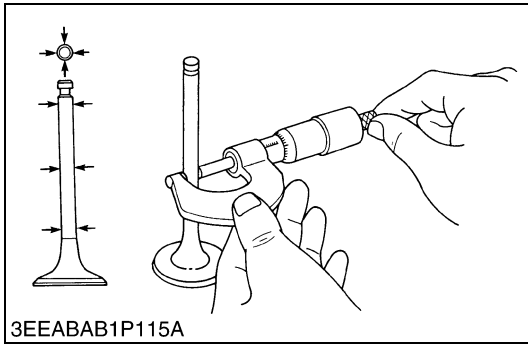
1. Clean the cylinder head, the valve face and seat.
2. Insert the valve into the valve guide.
3. Measure the valve recessing with a depth gauge.
4. If the measurement exceeds the allowable limit, replace the valve.
5. If it still exceeds the allowable limit after replacing the valve, replace the cylinder head.

Valve recessing (Intake and Exhaust)	Factory spec.	0.10 (protrusion) to 0.10 (recessing) mm 0.0039 (protrusion) to 0.0039 (recessing) in.
	Allowable limit	0.30 (recessing) mm 0.012 (recessing) in.

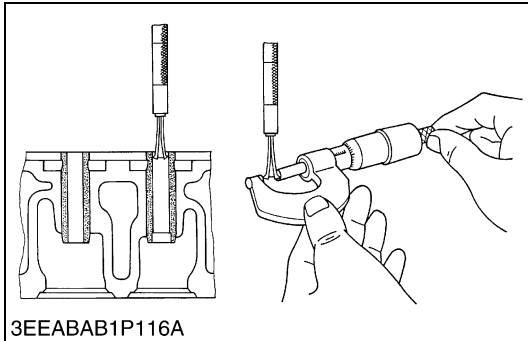
- (1) Cylinder Head Surface

- (A) Recessing
(B) Protrusion

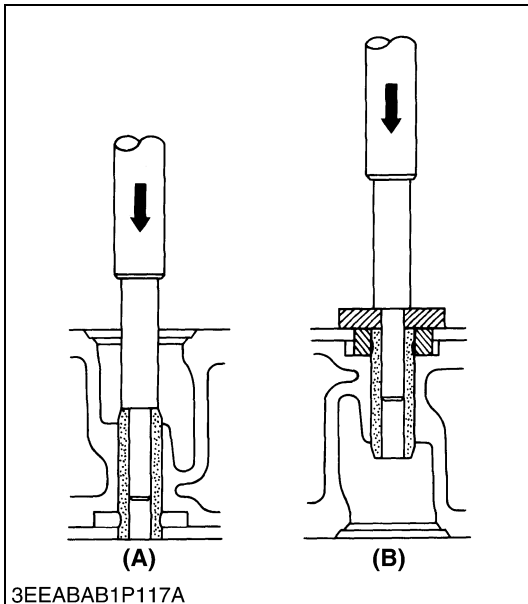
9Y1210318ENS0089US0



3EEABAB1P115A



3EEABAB1P116A



3EEABAB1P117A

Clearance between Valve Stem and Valve Guide

1. Remove carbon from the valve guide section.
2. Measure the valve stem O.D. with an outside micrometer.
3. Measure the valve guide I.D. with a small hole gauge, and calculate the clearance.
4. If the clearance exceeds the allowable limit, replace the valves. If it still exceeds the allowable limit, replace the valve guide.

Clearance between valve stem and valve guide	Factory spec.	0.030 to 0.057 mm 0.0012 to 0.0022 in.
	Allowable limit	0.10 mm 0.0039 in.

Valve stem O.D.	Factory spec.	5.968 to 5.980 mm 0.2350 to 0.2354 in.
Valve guide I.D.	Factory spec.	6.010 to 6.025 mm 0.2367 to 0.2372 in.

9Y1210318ENS0090US0

Replacing Valve Guide

(When removing)

1. Press out the used valve guide using a valve guide replacing tool.

(When installing)

1. Clean a new valve guide and valve guide bore, and apply engine oil to them.
2. Press in a new valve guide using a valve guide replacing tool.
3. Ream precisely the I.D. of the valve guide to the specified dimension.

Valve guide I.D.(Intake and exhaust)	Factory spec.	6.010 to 6.025 mm 0.2367 to 0.2372 in.
--------------------------------------	---------------	---

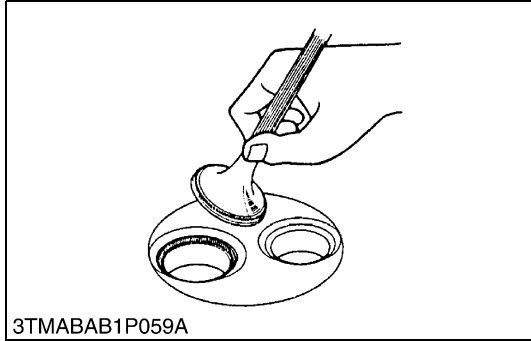
■ IMPORTANT

- Do not hit the valve guide with a hammer during replacement.

(A) When Removing

(B) When Installing

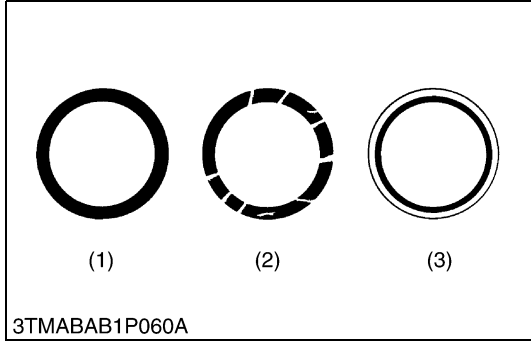
9Y1210318ENS0091US0



Valve Seating

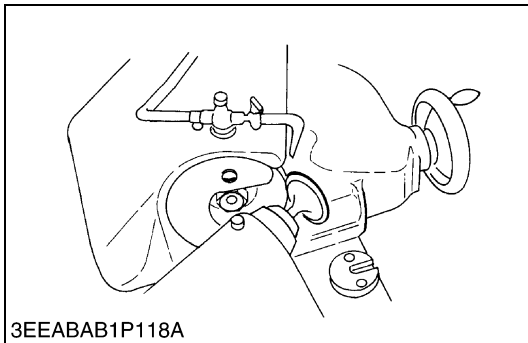
1. Coat the valve face lightly with prussian blue and put the valve on its seat to check the contact.
2. If the valve does not seat all the way around the valve seat or the valve contact is less than 70 %, correct the valve seating as follows.
3. If the valve contact does not comply with the reference value, replace the valve or correct the contact of valve seating.

Valve seat width	Factory spec.	2.12 mm 0.0835 in.
------------------	---------------	-----------------------

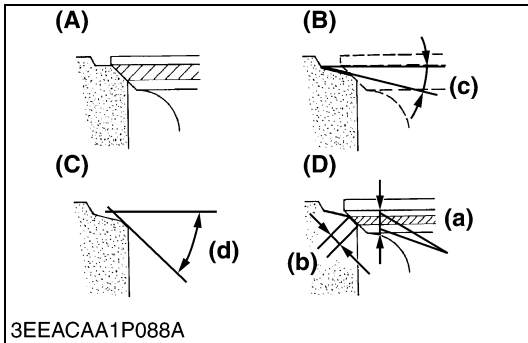


- (1) Correct (3) Incorrect
(2) Incorrect

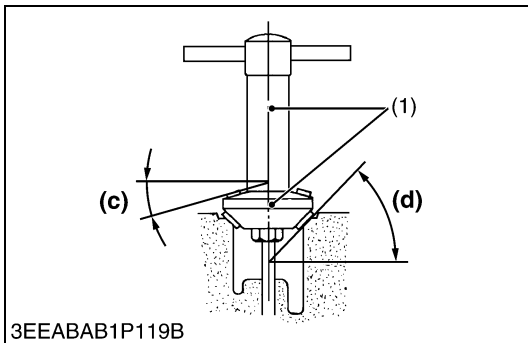
9Y1210318ENS0092US0



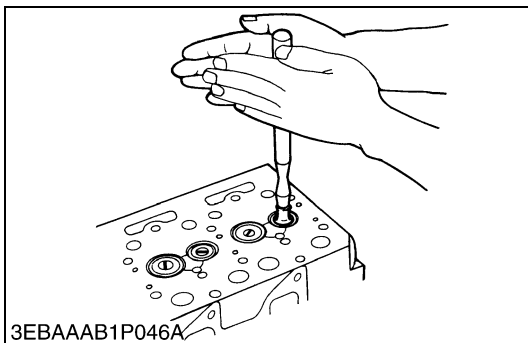
3EEABAB1P118A



3EEACAA1P088A



3EEABAB1P119B



3EBAAAB1P046A

Correcting Valve and Valve Seat

■ **NOTE**

- Before correcting the valve and seat, check the valve stem and the I.D. of valve guide section, and repair them if necessary.
- After correcting the valve seat, be sure to check the valve recessing.

1) Correcting Valve

1. Correct the valve with a valve refacer.

Valve face angle	Factory spec.	0.79 rad 45 °
------------------	---------------	------------------

2) Correcting Valve Seat

1. Slightly correct the seat surface with a 0.79 rad (45 °) valve seat cutter.
2. Fitting the valve, check the contact position of the valve face and seat surface with prussian blue. (Visual check) [If the valve has been used for a long period, the seat tends to come in contact with the upper side of the valve face.]
3. Grind the upper surface of the seat with a 0.26 rad (15 °) valve seat cutter until the valve seat touches to the center of the valve face (so that (a) equals (b) as shown in the figure.)
4. Grind the seat with a 0.79 rad (45 °) valve seat cutter again, and visually recheck the contact between the valve and seat.
5. Repeat steps 3 and 4 until the correct contact is achieved.
6. Continue lapping until the seated rate becomes more than 70 % of the total contact.

Valve seat angle	Factory spec.	0.79 rad 45 °
------------------	---------------	------------------

- | | |
|------------------------|--------------------------|
| (1) Valve Seat Cutter | (a) Identical Dimensions |
| (A) Check Contact | (b) Valve Seat Width |
| (B) Correct Seat Width | (c) 0.26 rad (15 °) |
| (C) Check Seat Surface | (d) 0.79 rad (45 °) |
| (D) Check Contact | |

9Y1210318ENS0093US0

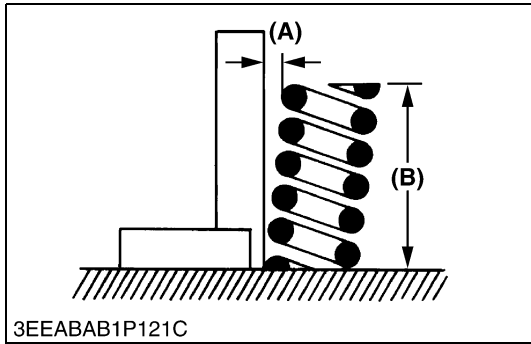
Valve Lapping

1. Apply compound evenly to the valve lapping surface.
2. Insert the valve into the valve guide. Lap the valve onto its seat with a valve flapper or screwdriver.
3. After lapping the valve, wash the compound away and apply oil, then repeat valve lapping with oil.
4. Apply prussian blue to the contact surface to check the seated rate. If it is less than 70 %, repeat valve lapping again.

■ **IMPORTANT**

- When valve lapping is performed, be sure to check the valve recessing and adjust the valve clearance after assembling the valve.

9Y1210318ENS0094US0



Free Length and Tilt of Valve Spring

1. Measure the free length **(B)** of valve spring with vernier calipers. If the measurement is less than the allowable limit, replace it.
2. Put the spring on a surface plate, place a square on the side of the spring.
3. Check to see if the entire side is in contact with the square. Rotate the valve spring and measure the maximum tilt **(A)**. If the measurement exceeds the allowable limit, replace it.
4. Check the entire surface of the valve spring for scratches. If there is any defect, replace it.

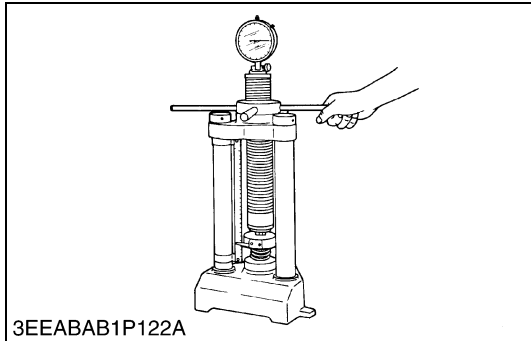
Tilt (A)	Allowable limit	1.0 mm 0.039 in.
-----------------	-----------------	---------------------

Free length (B)	Factory spec.	31.3 to 31.8 mm 1.24 to 1.25 in.
	Allowable limit	28.4 mm 1.12 in.

(A) Tilt

(B) Free length

9Y1210318ENS0095US0



Valve Spring Setting Load

1. Place the valve spring on a tester and compress it to the same length it is actually compressed in the engine.
2. Read the compression load on the gauge.
3. If the measurement is less than the allowable limit, replace it.

Setting load / setting length	Factory spec.	65 N / 27.0 mm 6.6 kgf / 27.0 mm 15 lbf / 1.06 in.
	Allowable limit	55 N / 27.0 mm 5.6 kgf / 27.0 mm 12 lbf / 1.06 in.

9Y1210318ENS0096US0



Oil Clearance between Rocker Arm and Rocker Arm Shaft

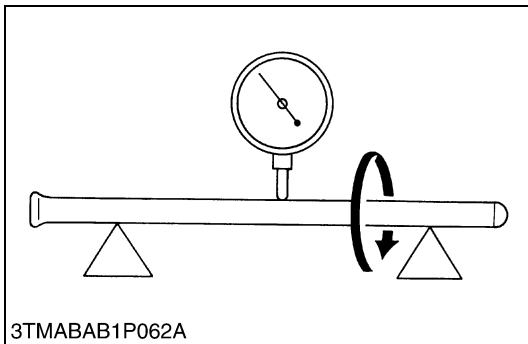
1. Measure the rocker arm shaft O.D. with an outside micrometer.
2. Measure the rocker arm I.D. with an inside micrometer, and then calculate the oil clearance.
3. If the oil clearance exceeds the allowable limit, replace the rocker arm and measure the oil clearance again. If it still exceeds the allowable limit, replace also the rocker arm shaft.

Oil clearance between rocker arm and rocker arm shaft	Factory spec.	0.016 to 0.045 mm 0.00063 to 0.0017 in.
	Allowable limit	0.15 mm 0.0059 in.

Rocker arm shaft O.D.	Factory spec.	10.473 to 10.484 mm 0.41233 to 0.41275 in.
-----------------------	---------------	---

Rocker arm I.D.	Factory spec.	10.500 to 10.518 mm 0.41339 to 0.41409 in.
-----------------	---------------	---

9Y1210318ENS0097US0



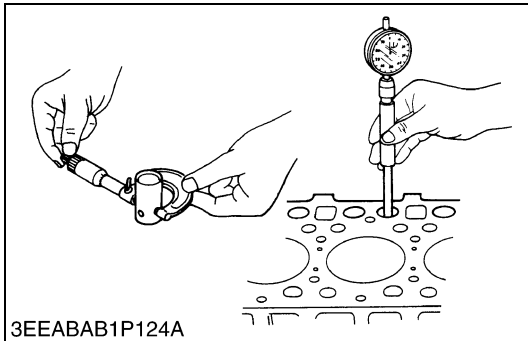
3TMABAB1P062A

Push Rod Alignment

1. Place the push rod on V blocks.
2. Measure the push rod alignment.
3. If the measurement exceeds the allowable limit, replace the push rod.

Push rod alignment	Allowable limit	0.25 mm 0.0098 in.
--------------------	-----------------	-----------------------

9Y1210318ENS0098US0



3EEABAB1P124A

Oil Clearance between Tappet and Tappet Guide Bore

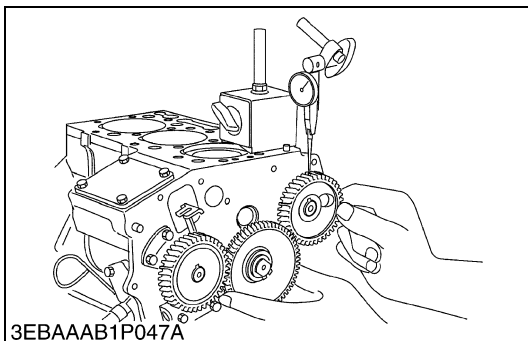
1. Measure the tappet O.D. with an outside micrometer.
2. Measure the I.D. of the tappet guide bore with a cylinder gauge, and calculate the oil clearance.
3. If the oil clearance exceeds the allowable limit or the tappet is damaged, replace the tappet.

Oil clearance between tappet and tappet guide bore	Factory spec.	0.016 to 0.052 mm 0.00063 to 0.0020 in.
	Allowable limit	0.10 mm 0.0039 in.

Tappet O.D.	Factory spec.	17.966 to 17.984 mm 0.70733 to 0.70803 in.
Tappet guide bore I.D.	Factory spec.	18.000 to 18.018 mm 0.70867 to 0.70937 in.

9Y1210318ENS0099US0

(2) Timing Gear and Camshaft



3EBAAAB1P047A

Timing Gear Backlash

1. Set a dial indicator (lever type) with its tip on the gear tooth.
2. Move the gear to measure the backlash, holding its mating gear.
3. If the backlash exceeds the allowable limit, check the oil clearance of the shafts and the gear.
4. If the oil clearance is proper, replace the gear.

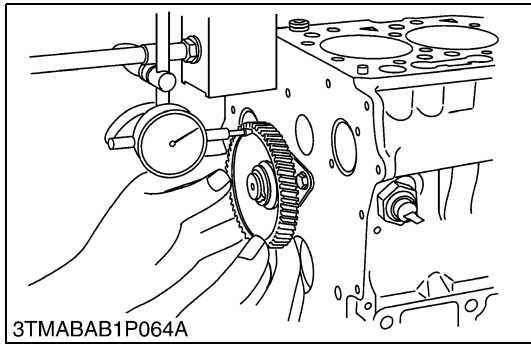
Backlash between idle gear and crank gear	Factory spec.	0.0430 to 0.124 mm 0.00170 to 0.00488 in.
	Allowable limit	0.15 mm 0.0059 in.

Backlash between idle gear and cam gear	Factory spec.	0.0470 to 0.123 mm 0.00185 to 0.00484 in.
	Allowable limit	0.15 mm 0.0059 in.

Backlash between idle gear and injection pump gear	Factory spec.	0.0410 to 0.124 mm 0.00162 to 0.00488 in.
	Allowable limit	0.15 mm 0.0059 in.

Backlash between oil pump drive gear and crank gear	Factory spec.	0.0410 to 0.123 mm 0.00162 to 0.00484 in.
	Allowable limit	0.15 mm 0.0059 in.

9Y1210318ENS0100US0

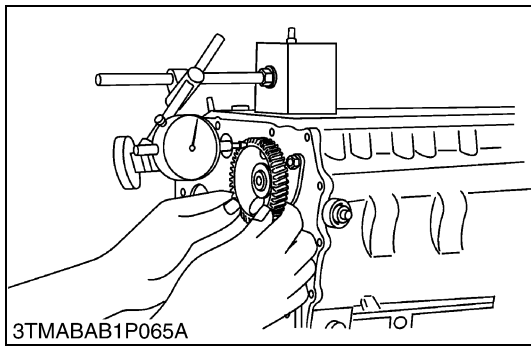


Idle Gear Side Clearance

1. Set a dial indicator with its tip on the idle gear.
2. Measure the side clearance by moving the idle gear to the front and rear.
3. If the measurement exceeds the allowable limit, replace the idle gear collar.

Idle gear side clearance	Factory spec.	0.20 to 0.51 mm 0.0079 to 0.020 in.
	Allowable limit	0.80 mm 0.031 in.

9Y1210318ENS0101US0

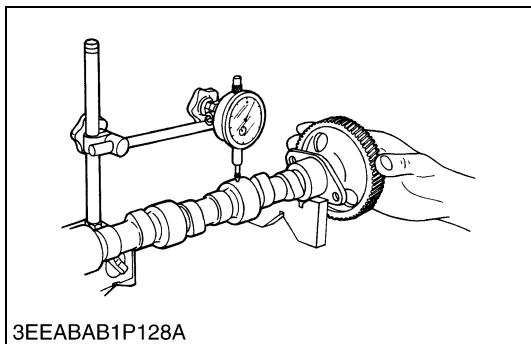


Camshaft Side Clearance

1. Set a dial indicator with its tip on the camshaft.
2. Measure the side clearance by moving the cam gear to the front and rear.
3. If the measurement exceeds the allowable limit, replace the camshaft stopper.

Camshaft side clearance	Factory spec.	0.15 to 0.31 mm 0.0059 to 0.012 in.
	Allowable limit	0.50 mm 0.020 in.

9Y1210318ENS0102US0

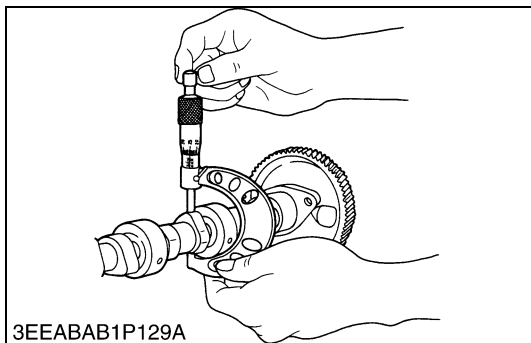


Camshaft Alignment

1. Support the camshaft with V blocks on the surface plate at both end journals.
2. Set a dial indicator with its tip on the intermediate journal.
3. Measure the camshaft alignment.
4. If the measurement exceeds the allowable limit, replace the camshaft.

Camshaft alignment	Allowable limit	0.01 mm 0.0004 in.
--------------------	-----------------	-----------------------

9Y1210318ENS0103US0

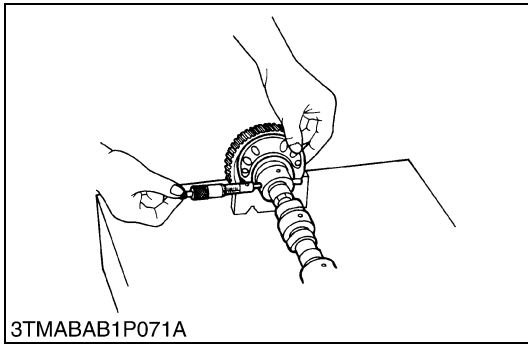


Cam Height

1. Measure the height of the cam at its highest point with an outside micrometer.
2. If the measurement is less than the allowable limit, replace the camshaft.

Cam height of intake and exhaust	Factory spec.	26.88 mm 1.058 in.
	Allowable limit	26.83 mm 1.056 in.

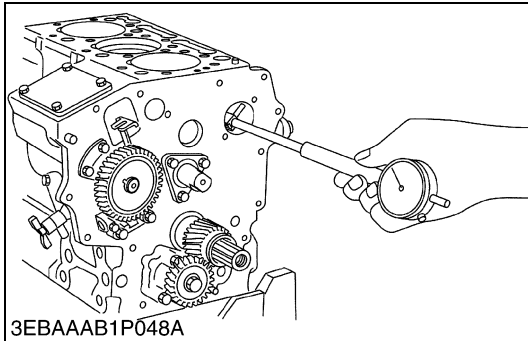
9Y1210318ENS0104US0



Oil Clearance of Camshaft Journal

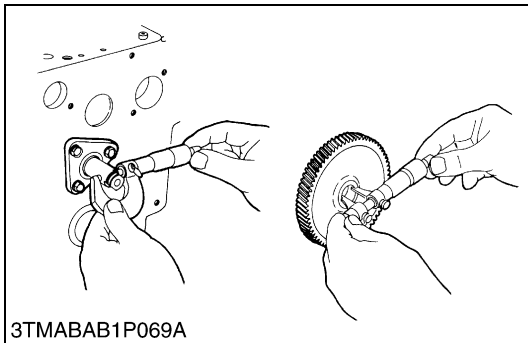
1. Measure the camshaft journal O.D. with an outside micrometer.
2. Measure the cylinder block bore I.D. for camshaft with a inside micrometer, and calculate the oil clearance.
3. If the clearance exceeds the allowable limit, replace the camshaft.

Oil clearance of camshaft journal	Factory spec.	0.050 to 0.091 mm 0.0020 to 0.0035 in.
	Allowable limit	0.15 mm 0.0059 in.



Camshaft journal O.D.	Factory spec.	32.934 to 32.950 mm 1.2967 to 1.2972 in.
Camshaft bearing I.D. (Cylinder block bore I.D.)	Factory spec.	33.000 to 33.025 mm 1.2993 to 1.3001 in.

9Y1210318ENS0105US0



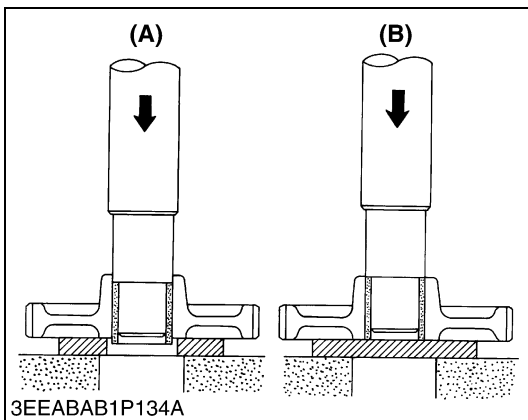
Oil Clearance between Idle Gear Shaft and Idle Gear Bushing

1. Measure the idle gear shaft O.D. with an outside micrometer.
2. Measure the idle gear bushings I.D. with an inside micrometer, and calculate the oil clearance.
3. If the oil clearance exceeds the allowable limit, replace the bushing.
4. If it still exceeds the allowable limit, replace the idle gear shaft.

Oil clearance between idle gear shaft and idle gear bushing	Factory spec.	0.020 to 0.084 mm 0.00079 to 0.0033 in.
	Allowable limit	0.10 mm 0.0039 in.

Idle gear shaft O.D.	Factory spec.	19.967 to 19.980 mm 0.78611 to 0.78661 in.
Idle gear bushing I.D.	Factory spec.	20.000 to 20.051 mm 0.78741 to 0.78940 in.

9Y1210318ENS0106US0



Replacing Idle Gear Bushing

(When removing)

1. Press out the used idle gear bushing using an idle gear bushing replacing tool.

(When installing)

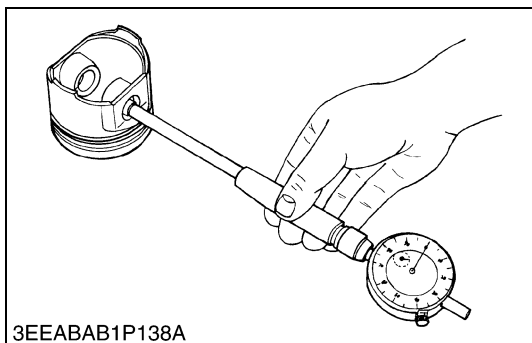
1. Clean a new idle gear bushing and idle gear bore, and apply engine oil to them.
2. Press in a new bushing using an idle gear bushing replacing tool, until it is flush with the end of the idle gear.

(A) When Removing

(B) When Installing

9Y1210318ENS0107US0

(3) Piston and Connecting Rod

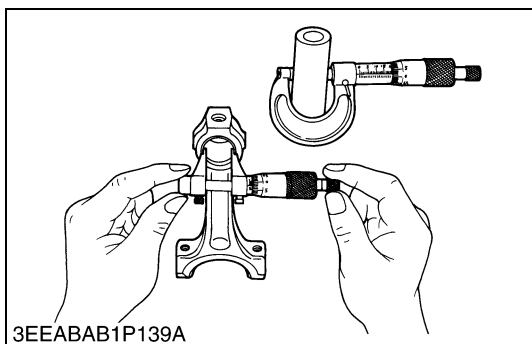


Piston Pin Bore I.D.

1. Measure the piston pin bore I.D. in both the horizontal and vertical directions with a cylinder gauge.
2. If the measurement exceeds the allowable limit, replace the piston.

Piston pin bore I.D.	Factory spec.	20.000 to 20.013 mm 0.78741 to 0.78791 in.
	Allowable limit	20.05 mm 0.7894 in.

9Y1210318ENS0108US0



Oil Clearance between Piston Pin and Small End Bushing

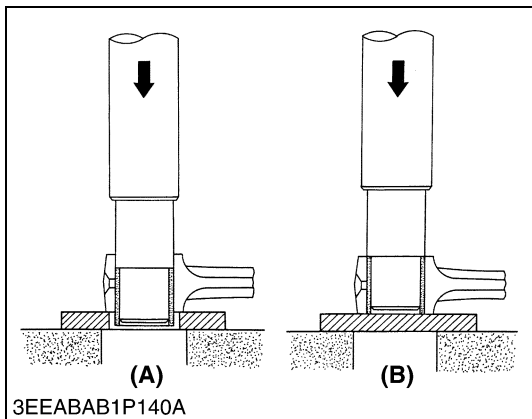
1. Measure the O.D. of the piston pin where it contacts the bushing with an outside micrometer.
2. Measure the small end bushing I.D. with an inside micrometer, and calculate the oil clearance.
3. If the oil clearance exceeds the allowable limit, replace the bushing. If it still exceeds the allowable limit, replace the piston pin.

Oil clearance between piston pin and small end bushing	Factory spec.	0.012 to 0.038 mm 0.00048 to 0.0014 in.
	Allowable limit	0.10 mm 0.0039 in.

Piston pin O.D.	Factory spec.	20.002 to 20.013 mm 0.78748 to 0.78791 in.
-----------------	---------------	---

Small end bushing I.D.	Factory spec.	20.025 to 20.040 mm 0.78839 to 0.78897 in.
------------------------	---------------	---

9Y1210318ENS0109US0



Replacing Small End Bushing

(When removing)

1. Press out the used bushing using a small end bushing replacing tool. (Refer to "SPECIAL TOOLS".)

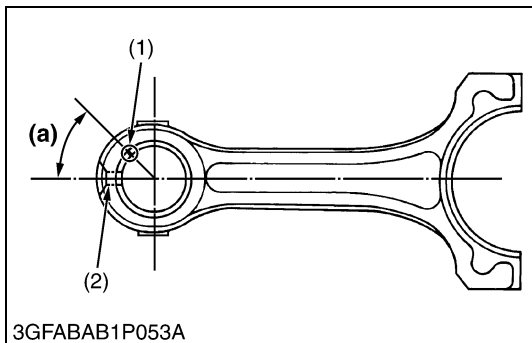
(When installing)

1. Clean a new small end bushing and bore, and apply engine oil to them.
2. Using a small end bushing replacing tool, press in a new bushing (service parts) taking due care to see that the connecting rod hole matches the bushing hole.

[Servicing parts dimension]

Oil clearance between piston pin and small end bushing (Spare parts)	Factory spec.	0.013 to 0.075 mm 0.00052 to 0.0029 in.
	Allowable limit	0.15 mm 0.0059 in.

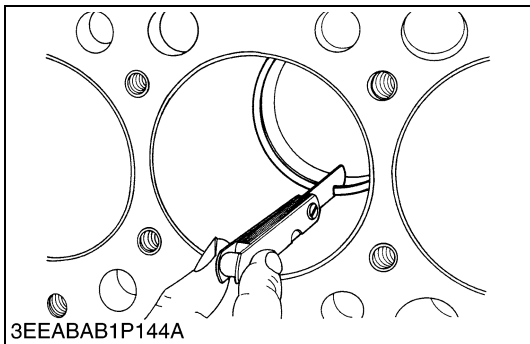
Small end bushing I.D. (Spare parts)	Factory spec.	20.026 to 20.077 mm 0.78843 to 0.79043 in.
--------------------------------------	---------------	---



- (1) Seam
- (2) Oil Hole

- (A) When Removing**
- (B) When Installing**
- (a) 0.79 rad (45 °)**

9Y1210318ENS0110US0

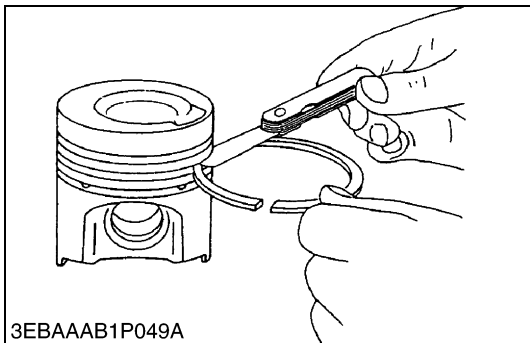


Piston Ring Gap

1. Insert the piston ring into the lower part of the cylinder (the least worn out part) with a piston ring compressor and piston.
2. Measure the ring gap with a feeler gauge.
3. If the measurement exceeds the allowable limit, replace the piston ring.

Piston ring gap	Top ring	Factory spec.	0.15 to 0.35 mm 0.0059 to 0.013 in.
		Allowable limit	1.25 mm 0.0492 in.
	Second ring	Factory spec.	0.30 to 0.45 mm 0.012 to 0.017 in.
		Allowable limit	1.25 mm 0.0492 in.
	Oil ring	Factory spec.	0.20 to 0.70 mm 0.0079 to 0.027 in.
		Allowable limit	1.25 mm 0.0492 in.

9Y1210318ENS0111US0

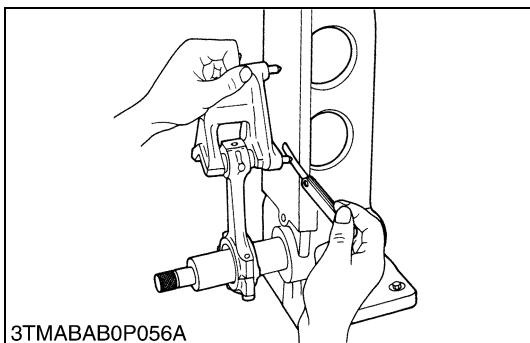


Clearance between Piston Ring and Piston Ring Groove

1. Clean the rings and the ring grooves, and install each ring in its groove.
2. Measure the clearance between the ring and the groove with a thickness gauge.
3. If the clearance exceeds the allowable limit, replace the piston ring.
4. If the clearance still exceeds the allowable limit with new ring, replace the piston.

Clearance between piston ring and piston ring groove	Top ring	Factory spec.	0.080 to 0.12 mm 0.0032 to 0.0047 in.
		Allowable limit	0.15 mm 0.0059 in.
	Second ring	Factory spec.	0.065 to 0.10 mm 0.0026 to 0.0039 in.
		Allowable limit	0.15 mm 0.0059 in.
	Oil ring	Factory spec.	0.060 to 0.15 mm 0.0024 to 0.0059 in.
		Allowable limit	0.20 mm 0.0079 in.

9Y1210318ENS0112US0



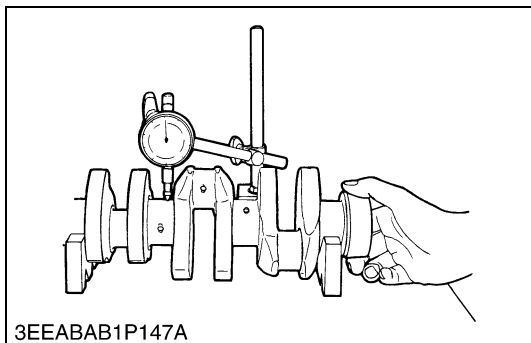
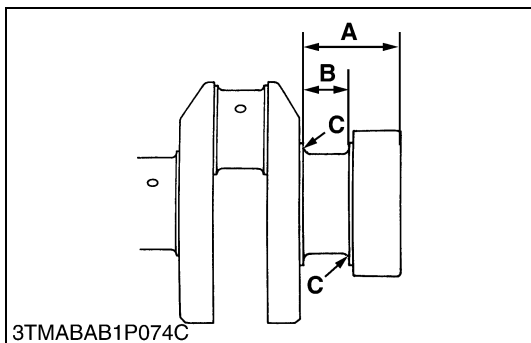
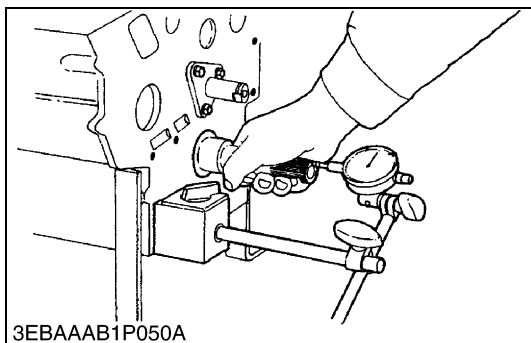
Connecting Rod Alignment

1. Remove the crankpin bearing, and install the connecting rod cap.
2. Install the piston pin in the connecting rod.
3. Install the connecting rod on the connecting rod alignment tool.
4. Put a gauge over the piston pin, and move it against the face plate.
5. If the gauge does not fit squarely against the face plate, measure the space between the pin of the gauge and the face plate.
6. If the measurement exceeds the allowable limit, replace the connecting rod.

Space between gauge pin face plate	Allowable limit	0.05 mm 0.002 in.
------------------------------------	-----------------	----------------------

9Y1210318ENS0113US0

(4) Crankshaft



Crankshaft Side Clearance

1. Set a dial indicator with its tip on the end of the crankshaft.
2. Measure the side clearance by moving the crankshaft to the front and rear.
3. If the measurement exceeds the allowable limit, replace the thrust bearings.
4. If the same size bearing is useless because of the crankshaft journal wear, replace it with an oversize one referring to the table and figure.

Crankshaft side clearance	Factory spec.	0.15 to 0.31 mm 0.0059 to 0.012 in.
	Allowable limit	0.50 mm 0.020 in.

(Reference)

- Oversize thrust bearing

Oversize	Bearing	Code Number	Marking
0.2 mm 0.008 in.	Thrust bearing 1 02	15261-23950	020 OS
	Thrust bearing 2 02	15261-23970	020 OS
0.4 mm 0.02 in.	Thrust bearing 1 04	15261-23960	040 OS
	Thrust bearing 2 04	15261-23980	040 OS

- Oversize dimensions of crankshaft journal

Oversize	0.2 mm 0.008 in.	0.4 mm 0.02 in.
Dimension A	46.10 to 46.30 mm 1.815 to 1.822 in.	46.30 to 46.50 mm 1.823 to 1.830 in.
Dimension B	23.40 to 23.45 mm 0.9213 to 0.9232 in.	23.60 to 23.65 mm 0.9292 to 0.9311 in.
Dimension C	1.8 to 2.2 mm radius 0.071 to 0.086 in. radius	1.8 to 2.2 mm radius 0.071 to 0.086 in. radius

The crankshaft journal must be fine-finished to higher than Rmax = 0.8S

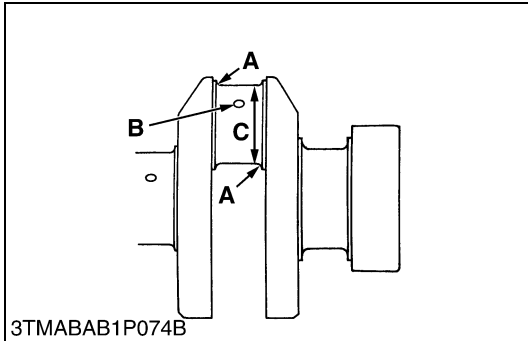
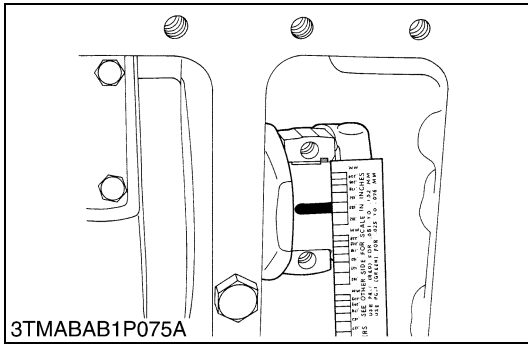
9Y1210318ENS0114US0

Crankshaft Alignment

1. Support the crankshaft with V blocks on the surface plate at both end journals.
2. Set a dial indicator with its tip on the intermediate journal.
3. Measure the crankshaft alignment.
4. If the measurement exceeds the allowable limit, replace the crankshaft.

Crankshaft alignment	Allowable limit	0.02 mm 0.0008 in.
----------------------	-----------------	-----------------------

9Y1210318ENS0115US0



Oil Clearance between Crankpin and Crankpin Bearing

1. Clean the crankpin and crankpin bearing.
2. Put a strip of plastigage on the center of the crankpin.
3. Install the connecting rod cap and tighten the connecting rod screws to the specified torque, and remove the cap again.
4. Measure the amount of the flattening with the scale, and get the oil clearance.
5. If the oil clearance exceeds the allowable limit, replace the crankpin bearing.
6. If the same size bearing is useless because of the crankpin wear, replace it with an undersize one referring to the table and figure.

■ **NOTE**

- **Never insert the plastigage into the crankpin oil hole.**
- **Be sure not to move the crankshaft while the connecting rod screws are tightened.**

Oil clearance between crankpin and crankpin bearing	Factory spec.	0.020 to 0.051 mm 0.00079 to 0.0020 in.
	Allowable limit	0.15 mm 0.0059 in.

Crankpin O.D.	Factory spec.	33.959 to 33.975 mm 1.3370 to 1.3375 in.
Crankpin bearing I.D.	Factory spec.	33.995 to 34.010 mm 1.3384 to 1.3389 in.

(Reference)

- Undersize crankpin bearing

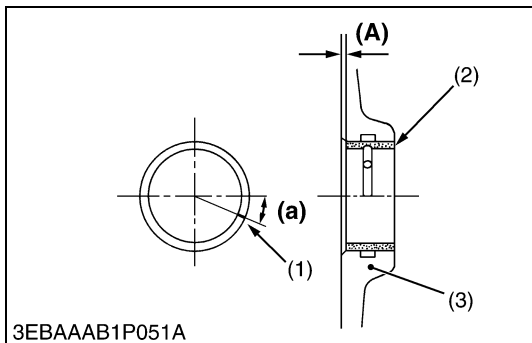
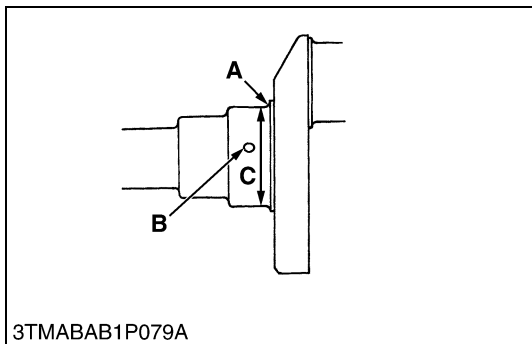
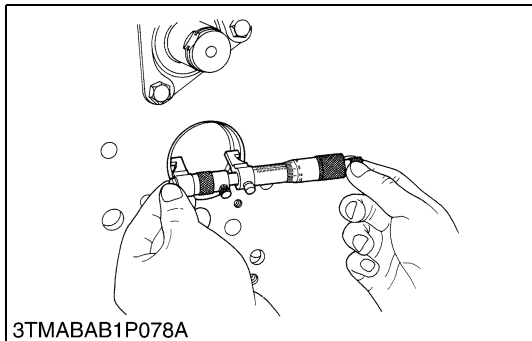
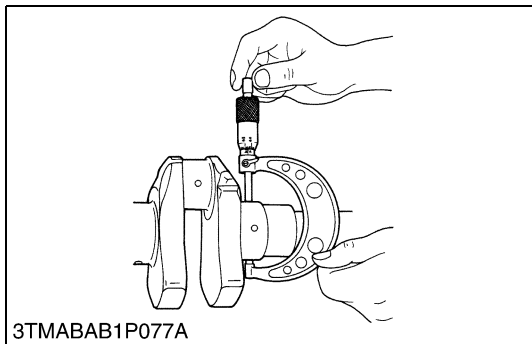
Undersize	Bearing	Code Number	Marking
0.2 mm 0.008 in.	Crankpin bearing 02	15861-22970	020 US
0.4 mm 0.02 in.	Crankpin bearing 04	15861-20980	040 US

- Undersize dimensions of crankpin

Undersize	0.2 mm 0.008 in.	0.4 mm 0.02 in.
Dimension A	2.3 to 2.7 mm radius 0.091 to 0.10 in. radius	2.3 to 2.7 mm radius 0.091 to 0.10 in. radius
*Dimension B	1.0 to 1.5 mm relief 0.040 to 0.059 in. relief	1.0 to 1.5 mm relief 0.040 to 0.059 in. relief
Dimension C	33.759 to 33.775 mm dia. 1.3291 to 1.3297 in. dia.	33.559 to 33.575 mm dia. 1.3213 to 1.3218 in. dia.

The crankpin journal must be fine-finished to higher than Rmax = 0.8S
 *Holes to be de-burred and edges rounded with 1.0 to 1.5 mm (0.040 to 0.059 in.) relief.

9Y1210318ENS0116US0



Oil Clearance between Crankshaft Journal and Crankshaft Bearing 1

1. Measure the O.D. of the crankshaft front journal with an outside micrometer.
2. Measure the I.D. of the crankshaft bearing 1 with an inside micrometer, and calculate the oil clearance.
3. If the oil clearance exceeds the allowable limit, replace the crankshaft bearing 1.
4. If the same size bearing is useless because of the crankshaft journal wear, replace it with an undersize one referring to the table and the figure.

Oil Clearance between crankshaft journal and crankshaft bearing 1	Factory spec.	0.0340 to 0.106 mm 0.00134 to 0.00417 in.
	Allowable limit	0.20 mm 0.0079 in.

Crankshaft journal O.D.	Factory spec.	43.934 to 43.950 mm 1.7297 to 1.7303 in.
-------------------------	---------------	---

Crankshaft bearing 1 I.D.	Factory spec.	43.984 to 44.040 mm 1.7317 to 1.7338 in.
---------------------------	---------------	---

(Reference)

- Undersize crankshaft bearing 1

Undersize	Bearing	Code Number	Marking
0.2 mm 0.008 in.	Crankshaft bearing 1 02	1G460-23910	020 US
0.4 mm 0.02 in.	Crankshaft bearing 1 04	1G460-23920	040 US

- Undersize dimensions of crankshaft journal

Undersize	0.2 mm 0.008 in.	0.4 mm 0.02 in.
Dimension A	1.8 to 2.2 mm radius 0.071 to 0.086 in. radius	1.8 to 2.2 mm radius 0.071 to 0.086 in. radius
*Dimension B	1.0 to 1.5 mm relief 0.040 to 0.059 in. relief	1.0 to 1.5 mm relief 0.040 to 0.059 in. relief
Dimension C	43.734 to 43.750 mm dia. 1.7219 to 1.7224 in. dia.	43.534 to 43.550 mm dia. 1.7140 to 1.7145 in. dia.

The crankshaft journal must be fine-finished to higher than Rmax = 0.8S
 *Holes to be de-burred and edges rounded with 1.0 to 1.5 mm
 (0.040 to 0.059 in.) relief.

9Y1210318ENS0117US0

Replacing Crankshaft Bearing 1

(When removing)

1. Press out the used crankshaft bearing 1 using a crankshaft bearing 1 replacing tool.

(When installing)

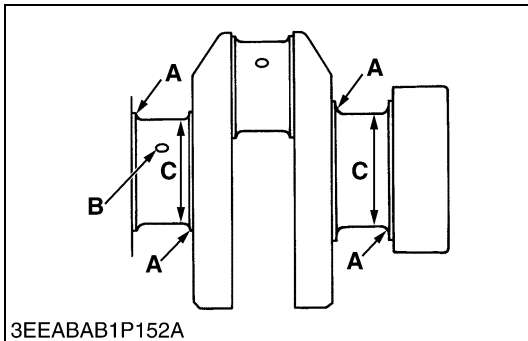
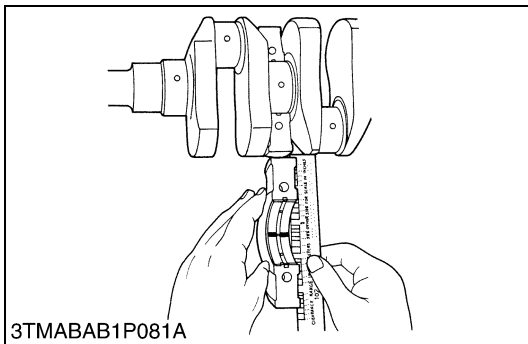
1. Clean a new crankshaft bearing 1 and crankshaft journal bore, and apply engine oil to them.
2. Using a crankshaft bearing 1 replacing tool, press in a new bearing 1 (2) so that its seam (1) directs toward the exhaust manifold side. (See figure.)

Dimension (A)	Factory spec.	0 to 0.3 mm 0 to 0.01 in.
---------------	---------------	------------------------------

- (1) Seam
- (2) Crankshaft Bearing 1
- (3) Cylinder Block

(A) Dimension
(a) 0.37 rad (21 °)

9Y1210318ENS0118US0



Oil Clearance between Crankshaft Journal and Crankshaft Bearing 2 (Crankshaft Bearing 3)

1. Put a strip of plastigage on the center of the journal.
2. Install the bearing case and tighten the bearing case screws 1 to the specified torque, and remove the bearing case again.
3. Measure the amount of the flattening with the scale, and get the oil clearance.
4. If the oil clearance exceeds the allowable limit, replace the crankshaft bearing 2 (crankshaft bearing 3).
5. If the same size bearing is useless because of the crankshaft journal wear, replace it with an undersize one referring to the table and figure.

■ **NOTE**

- **Be sure not to move the crankshaft while the bearing case screws are tightened.**

Oil clearance between crankshaft journal and crankshaft bearing 2 (crankshaft bearing 3)	Factory spec.	0.028 to 0.059 mm 0.0011 to 0.0023 in.
	Allowable limit	0.20 mm 0.0079 in.

Crankshaft journal O.D. (Flywheel side)	Factory spec.	43.934 to 43.950 mm 1.7297 to 1.7303 in.
Crankshaft bearing 2 I.D.	Factory spec.	43.978 to 43.993 mm 1.7315 to 1.7320 in.

Crankshaft journal O.D. (Intermediate)	Factory spec.	43.934 to 43.950 mm 1.7297 to 1.7303 in.
Crankshaft bearing 3 I.D.	Factory spec.	43.978 to 43.993 mm 1.7315 to 1.7320 in.

(Reference)

- Undersize crankshaft bearing 2 and 3

Undersize	Bearing	Code Number	Marking
0.2 mm 0.008 in.	Crankshaft bearing 2 02	15694-23930	020 US
	Crankshaft bearing 2F 02	1G460-07530	
	Crankshaft bearing 3 02	1G460-07580	020 US
	Crankshaft bearing 3F 02	1G460-07630	
0.4 mm 0.02 in.	Crankshaft bearing 2 04	15694-23940	040 US
	Crankshaft bearing 2F 04	1G460-07540	
	Crankshaft bearing 3 04	1G460-07590	040 US
	Crankshaft bearing 3F 04	1G460-07640	

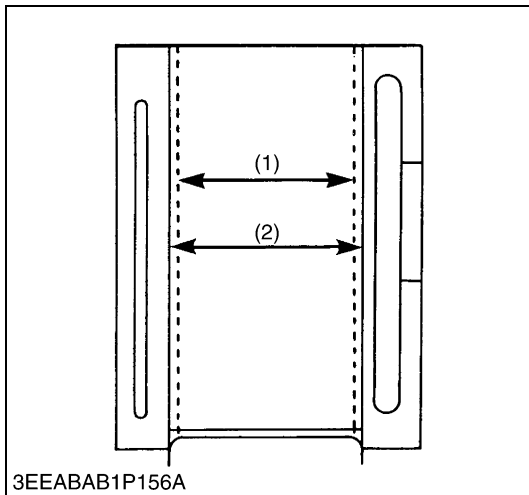
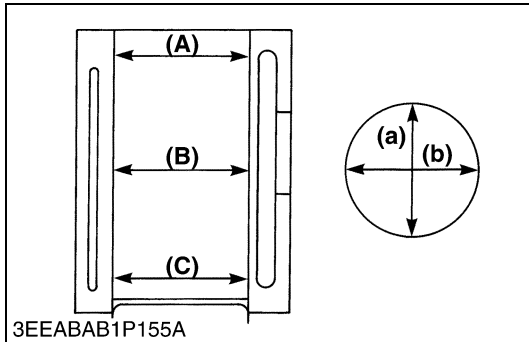
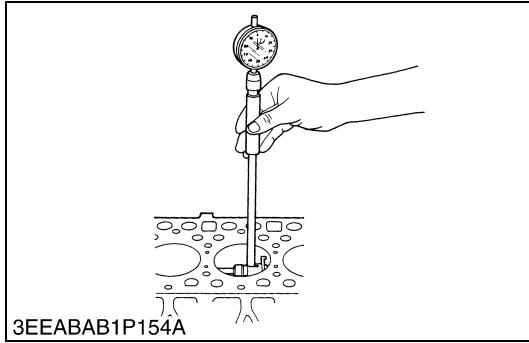
- Undersize dimensions of crankshaft journal

Undersize	0.2 mm 0.008 in.	0.4 mm 0.02 in.
Dimension A	1.8 to 2.2 mm radius 0.071 to 0.086 in. radius	1.8 to 2.2 mm radius 0.071 to 0.086 in. radius
*Dimension B	1.0 to 1.5 mm relief 0.040 to 0.059 in. relief	1.0 to 1.5 mm relief 0.040 to 0.059 in. relief
Dimension C	43.734 to 43.750 mm dia. 1.7219 to 1.7224 in. dia.	43.534 to 43.550 mm dia. 1.7140 to 1.7145 in. dia.

The crankshaft journal must be fine-finished to higher than Rmax = 0.8S
 *Holes to be de-burred and edges rounded with 1.0 to 1.5 mm (0.040 to 0.059 in.) relief.

9Y1210318ENS0119US0

(5) Cylinder



Cylinder Wear

1. Measure the I.D. of the cylinder at the six positions (see figure) with a cylinder gauge to find the maximum and minimum I.D.'s.
2. Get the difference (Maximum wear) between the maximum and the minimum I.D.'s.

Cylinder I.D.	Factory spec.	74.500 to 74.519 mm 2.9331 to 2.9338 in.
	Allowable limit	74.669 mm 2.9397 in.

- (A) Top (a) Right-Angled to Piston Pin
 (B) Middle (b) Piston Pin Direction
 (C) Bottom (Skirt)

9Y1210318ENS0120US0

Correcting Cylinder (Oversize)

1. When the cylinder is worn beyond the allowable limit, bore and hone it to the specified dimension.

Cylinder liner I.D.	Factory spec.	75.000 to 75.019 mm 2.9528 to 2.9535 in.
	Allowable limit	75.150 mm 2.9587 in.
Finishing	Hone to 2.2 to 3.0 μmRz (0.000087 to 0.00011 in.Rz)	

2. Replace the piston and piston rings with oversize ones.
 Oversize : 0.5 mm (0.02 in.)
 Marking : 05

■ **NOTE**

- When the oversize cylinder is worn beyond the allowable limit, replace the cylinder block with a new one.

- (1) Cylinder I.D. (Before Correction) (2) Cylinder I.D. (Oversize)

9Y1210318ENS0121US0

(6) Oil Pump



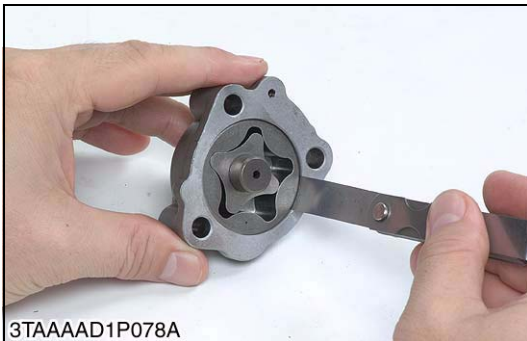
3TAAAD1P077A

Rotor Lobe Clearance

1. Measure the clearance between lobes of the inner rotor and the outer rotor with a thickness gauge.
2. If the clearance exceeds the factory specifications, replace the oil pump rotor assembly.

Rotor lobe clearance	Factory spec.	0.030 to 0.14 mm 0.0012 to 0.0055 in.
----------------------	---------------	--

9Y1210318ENS0122US0



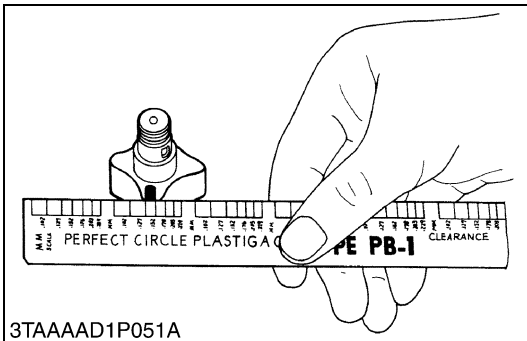
3TAAAD1P078A

Clearance between Outer Rotor and Pump Body

1. Measure the clearance between the outer rotor and the pump body with a thickness gauge.
2. If the clearance exceeds the factory specifications, replace the oil pump rotor assembly.

Clearance between outer rotor and pump body	Factory spec.	0.070 to 0.15 mm 0.0028 to 0.0059 in.
---	---------------	--

9Y1210318ENS0123US0



3TAAAD1P051A

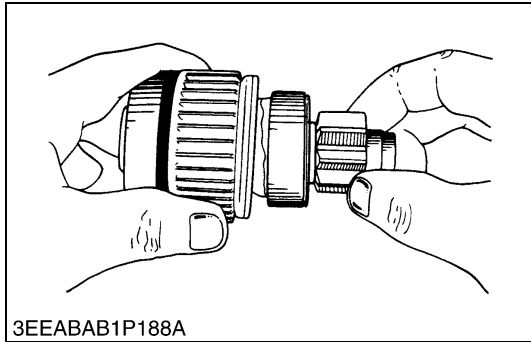
Clearance between Rotor and Cover

1. Put a strip of plastigage onto the rotor face with grease.
2. Install the cover and tighten the screws.
3. Remove the cover carefully, and measure the amount of the flattening with the scale and get the clearance.
4. If the clearance exceeds the factory specifications, replace oil pump rotor assembly.

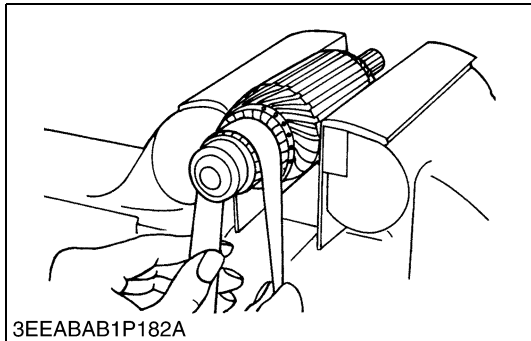
Clearance between rotor and cover	Factory spec.	0.0750 to 0.135 mm 0.00296 to 0.00531 in.
-----------------------------------	---------------	--

9Y1210318ENS0124US0

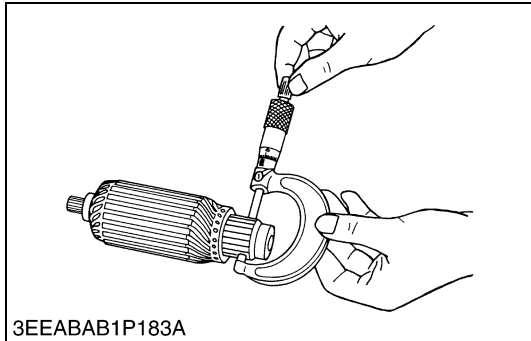
(7) Starter



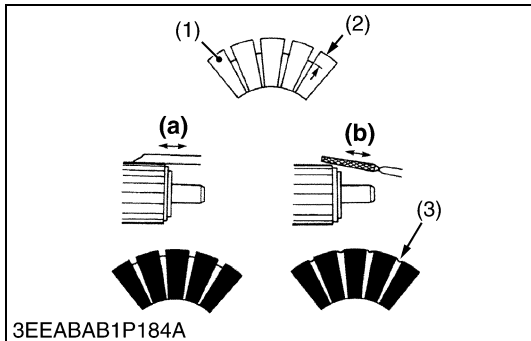
3EEABAB1P188A



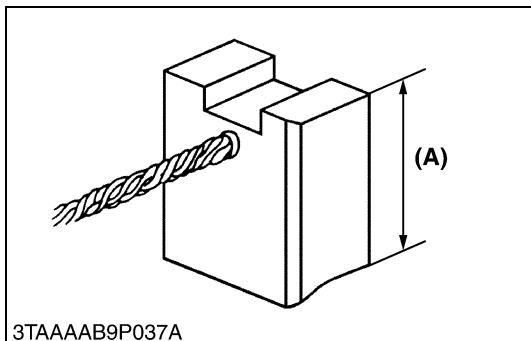
3EEABAB1P182A



3EEABAB1P183A



3EEABAB1P184A



3TAAAB9P037A

Overrunning Clutch

1. Inspect the pinion for wear or damage.
2. If there is any defect, replace the overrunning clutch assembly.
3. Check that the pinion turns freely and smoothly in the overrunning direction and does not slip in the cranking direction.
4. If the pinion slips or does not rotate in the both directions, replace the overrunning clutch assembly.

9Y1210318ENS0125US0

Commutator and Mica

1. Check the contact face of the commutator for wear, and grind the commutator with emery paper if it is slightly worn.
2. Measure the commutator O.D. with an outside micrometer at several points.
3. If the minimum O.D. is less than the allowable limit, replace the armature.
4. If the difference of the O.D.'s exceeds the allowable limit, correct the commutator on a lathe to the factory specification.
5. Measure the mica undercut.
6. If the undercut is less than the allowable limit, correct it with a saw blade and chamfer the segment edges.

Commutator O.D.	Factory spec.	28.0 mm 1.10 in.
	Allowable limit	27.0 mm 1.06 in.

Difference of O.D.'s	Factory spec.	Less than 0.05 mm 0.002 in.
	Allowable limit	0.4 mm 0.02 in.

Mica under cut	Factory spec.	0.45 to 0.75 mm 0.018 to 0.029 in.
	Allowable limit	0.2 mm 0.008 in.

- | | |
|--------------|----------|
| (1) Segment | (a) Good |
| (2) Undercut | (b) Bad |
| (3) Mica | |

9Y1210318ENS0126US0

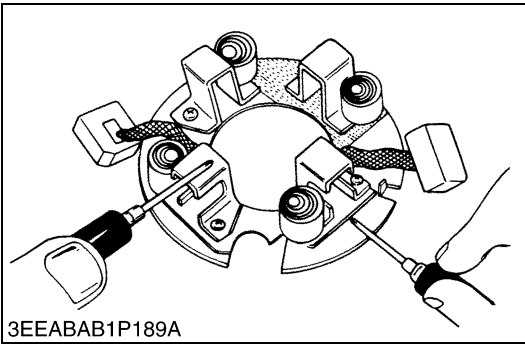
Brush Wear

1. If the contact face of the brush is dirty or dusty, clean it with emery paper.
2. Measure the brush length (A) with vernier calipers.
3. If the length is less than the allowable limit, replace the yoke assembly and brush holder.

Brush length (A)	Factory spec.	14.0 mm 0.551 in.
	Allowable limit	11.1 mm 0.437 in.

(A) Brush Length

9Y1210318ENS0127US0

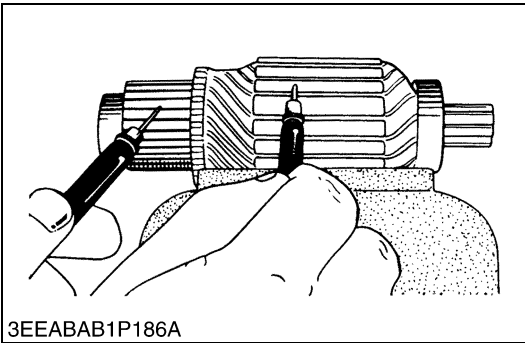


3EEABAB1P189A

Brush Holder

1. Check the continuity across the brush holder and the holder support with an ohmmeter.
2. If it conducts, replace the brush holder.

9Y1210318ENS0128US0

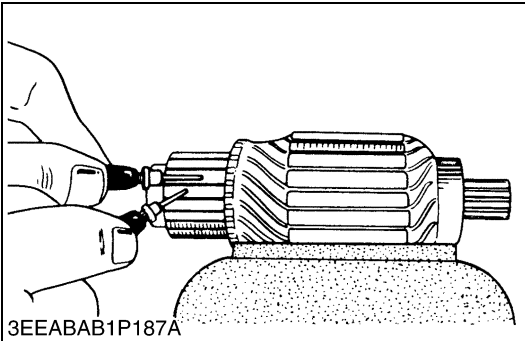


3EEABAB1P186A

Armature Coil

1. Check the continuity across the commutator and armature coil core with an ohmmeter.
2. If it conducts, replace the armature.
3. Check the continuity across the segments of the commutator with an ohmmeter.
4. If it does not conduct, replace the armature.

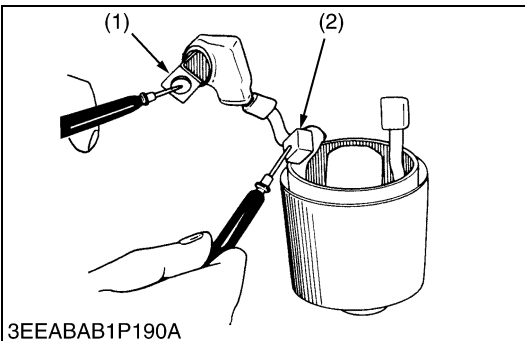
9Y1210318ENS0129US0



3EEABAB1P187A

Field Coil

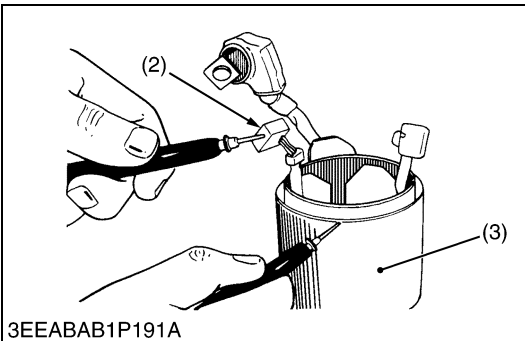
1. Check the continuity across the lead (1) and brush (2) with an ohmmeter.
2. If it does not conduct, replace the yoke assembly.
3. Check the continuity across the brush (2) and yoke (3) with an ohmmeter.
4. If it conducts, replace the yoke assembly.



3EEABAB1P190A

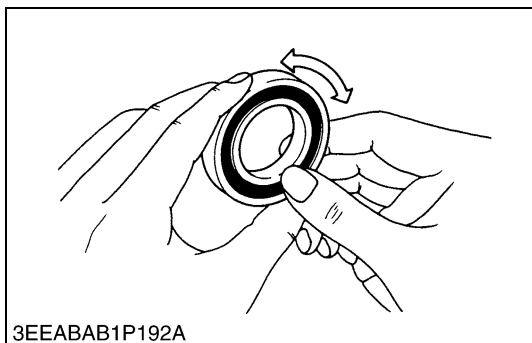
- (1) Lead
- (2) Brush
- (3) Yoke

9Y1210318ENS0130US0



3EEABAB1P191A

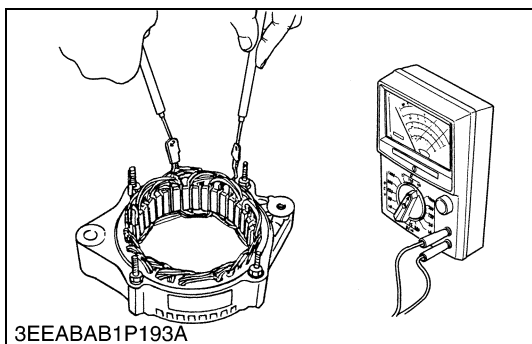
(8) Alternator



Bearing

1. Check the bearing for smooth rotation.
2. If it does not rotate smoothly, replace it.

9Y1210318ENS0131US0

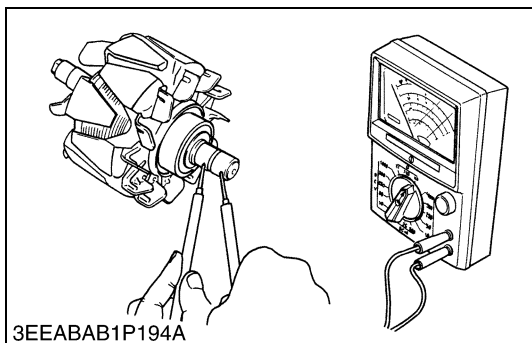


Stator

1. Measure the resistance across each lead of the stator coil with resistance range of circuit tester.
2. If the measurement is not within factory specification, replace it.
3. Check the continuity across each stator coil lead and core with resistance range of circuit tester.
4. If infinity is not indicated, replace it.

Resistance	Factory spec.	Less than 1.0 Ω
------------	---------------	-----------------

9Y1210318ENS0132US0

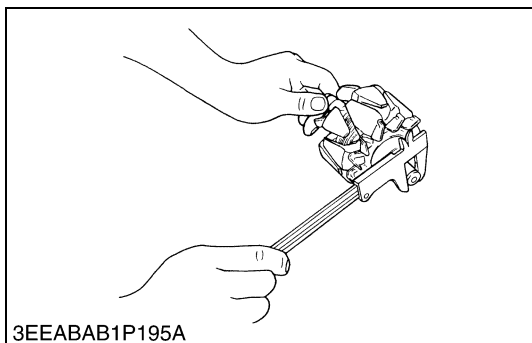


Rotor

1. Measure the resistance across the slip rings.
2. If the resistance is not the factory specification, replace it.
3. Check the continuity across the slip ring and core with resistance range of circuit tester.
4. If infinity is not indicated, replace it.

Resistance	Factory spec.	2.9 Ω
------------	---------------	-------

9Y1210318ENS0133US0

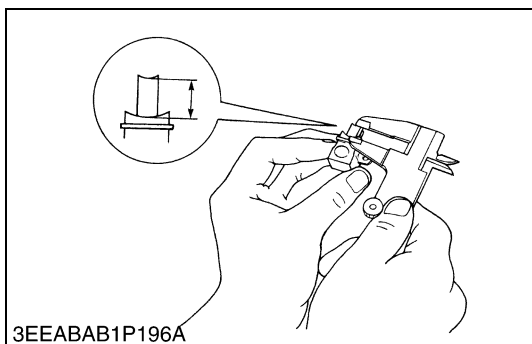


Slip Ring

1. Check the slip ring for score.
2. If scored, correct with an emery paper or on a lathe.
3. Measure the O.D. of slip ring with vernier calipers.
4. If the measurement is less than the allowable limit, replace it.

Slip ring O.D.	Factory spec.	14.4 mm 0.567 in.
	Allowable limit	14.0 mm 0.551 in.

9Y1210318ENS0134US0

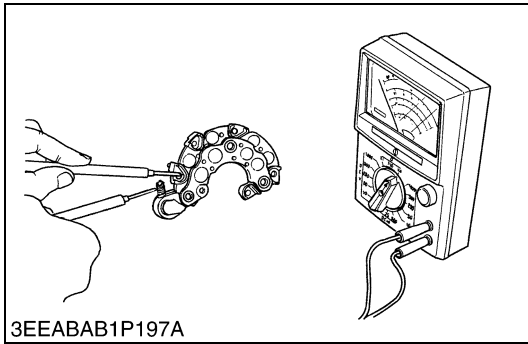


Brush Wear

1. Measure the brush length with vernier calipers.
2. If the measurement is less than allowable limit, replace it.
3. Make sure that the brush moves smoothly.
4. If the brush is defective, replace it.

Brush length	Factory spec.	10.5 mm 0.413 in.
	Allowable limit	8.4 mm 0.33 in.

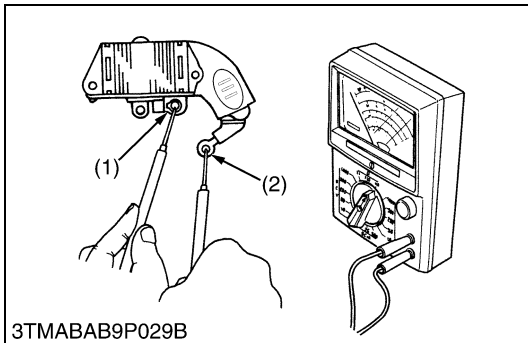
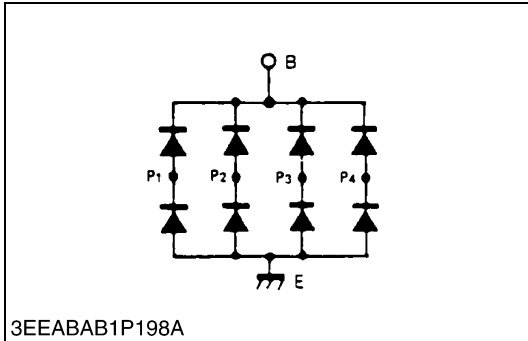
9Y1210318ENS0135US0



Rectifier

1. Check the continuity across each diode of rectifier with resistance range of circuit tester.
2. The rectifier is normal if the diode in the rectifier conducts in one direction and does not conduct in the reverse direction.

9Y1210318ENS0136US0



IC Regulator

1. Check the continuity across the **B** terminal (2) and the **F** terminal (1) of IC regulator with resistance range of circuit tester.
2. The IC regulator is normal if the conducts in one direction and does not conduct in the reverse direction.

(1) **F** Terminal

(2) **B** Terminal

9Y1210318ENS0137US0

EDITOR:

KUBOTA FARM & INDUSTRIAL MACHINERY SERVICE, LTD.

64, ISHIZU-KITAMACHI, SAKAI-KU, SAKAI-CITY, OSAKA, 590-0823, JAPAN

PHONE : (81)72-241-1129

FAX : (81)72-245-2484

E-mail : ksos-pub@kubota.co.jp
