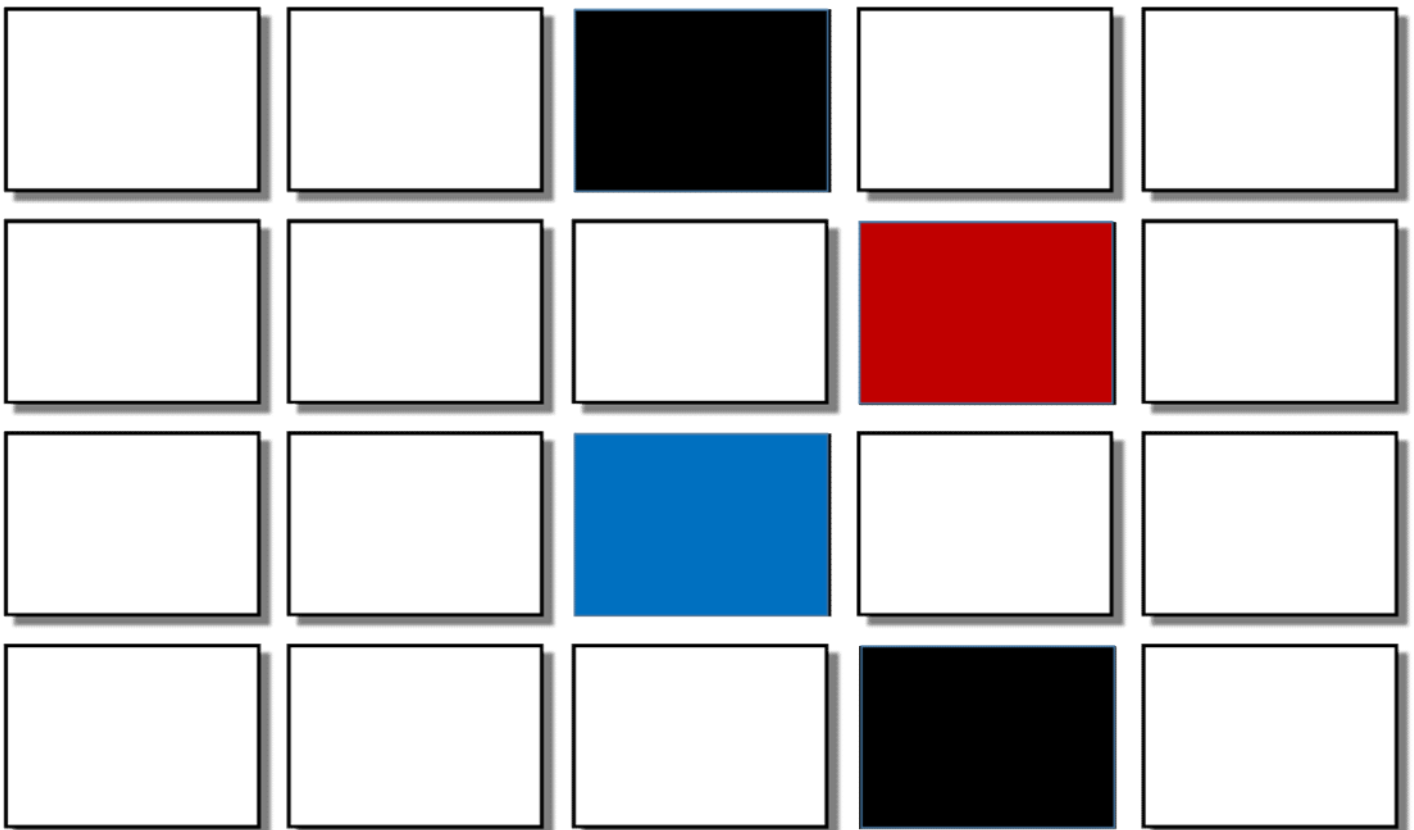


PARTS CATALOG

4Y Gas Engine

for **POLAR POWER**
part No. 17000-UB150



TOYOTA INDUSTRIES CORPORATION

FIG No. I N D E X

Fig No.	Figure Title	Page
1101	ENGINE ASSY	3
1103	CYLINDER HEAD COVER	4
1104	CYLINDER HEAD	5
1105	CYLINDER BLOCK	6
1106	TIMING GEAR COVER	7
1201	OIL PAN	8
1202	VENTILATION HOSE	9
1203	ENGINE HANGER	10
1301	PISTON & CONNECTING ROD	11
1302	CRANKSHAFT	12
1303	CAMSHAFT	13
1304	VALVE SYSTEM	14
1305	TIMING CHAIN	15
1501	OIL PUMP	16
1502	OIL FILTER	17
1503	OIL COOLER HOSE	18
1603	WATER OUTLET	19
1701	MANIFOLD	20
1901	IGNITION COIL & SPARK PLUG	21
2201	THROTTLE & MIXER	22
9001	LOOSE PARTS	23

PRODUCTION DATE

Engines produced in or before Sep. 2021

Engines produced in or after Sep. 2021

PROD. DATE	ENGINE No.
-2109	-3Y 2390259 -4Y 2826773
2109-	3Y 2390260- 4Y 2826774-

MODELS

Explanation on special parts

e.g. : Option Parts → 【OPT1】 【OPT2】

PART NUMBER	QTY	MODELS
28100-UB010	1	【OPT1】
28100-UB020	1	【OPT2】

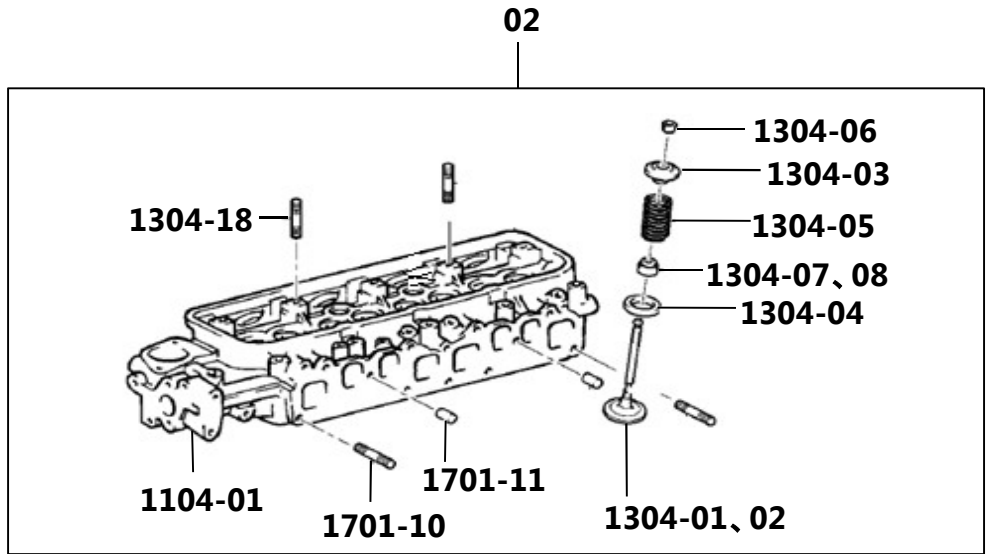
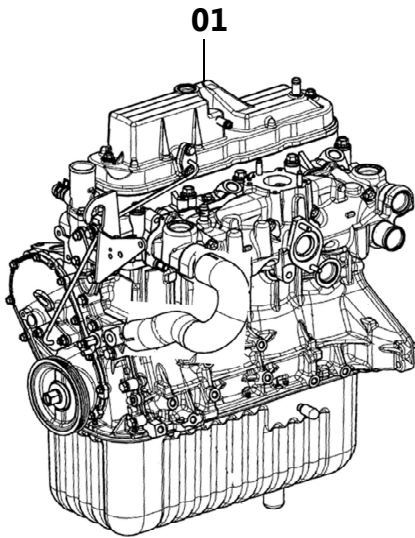
R/P (REPLACEMENT PARTS)

The old part number that has been replaced by the new part number.

It will be supplied by replacing it with the part number with () listed directly below.

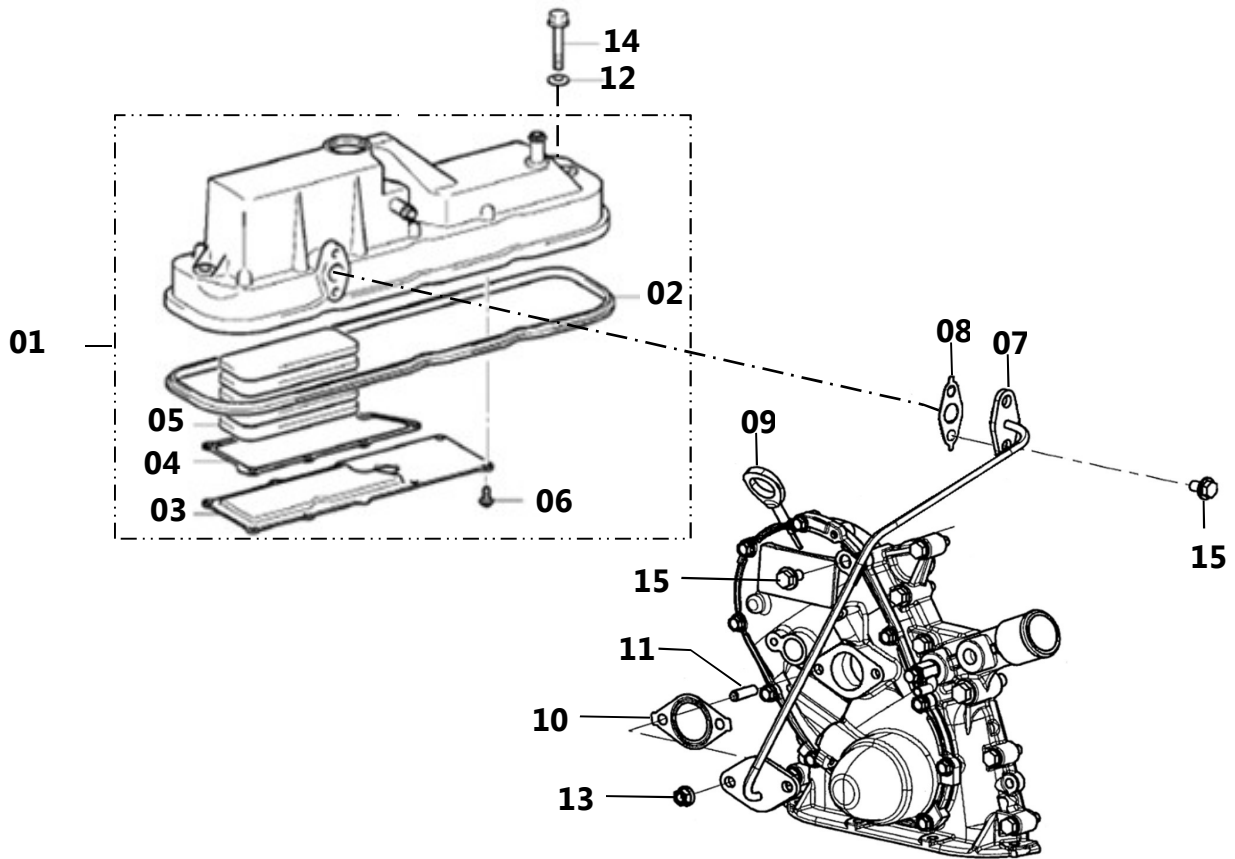
┌ Main part number for set replacement.

· Part number that should to be replaced as a set with the alternative main part number.

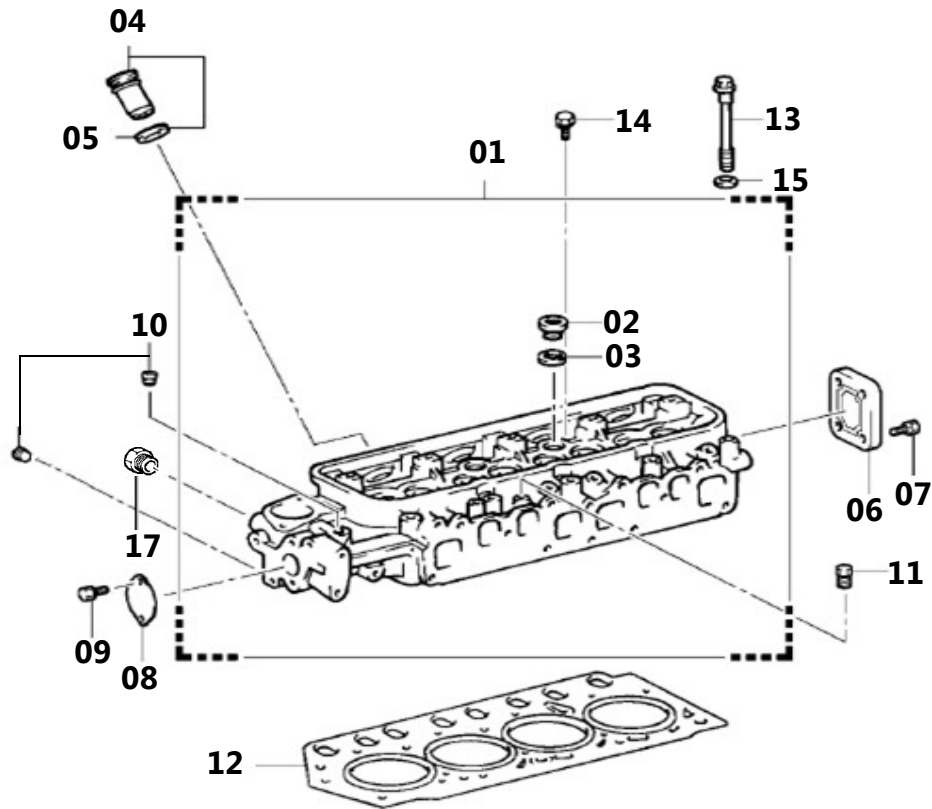


[P/N CODE]	PART NAME	R/P	PART NUMBER	QTY	MODELS	PROD. DATE	ENGINE No.
[1101-01]	ENGINE ASSY, L/FLYWHEEL		17000-UB150	1			
[1101-02]	HEAD ASSY, SHORT		11100-78150-71	1			

1103 CYLINDER HEAD COVER

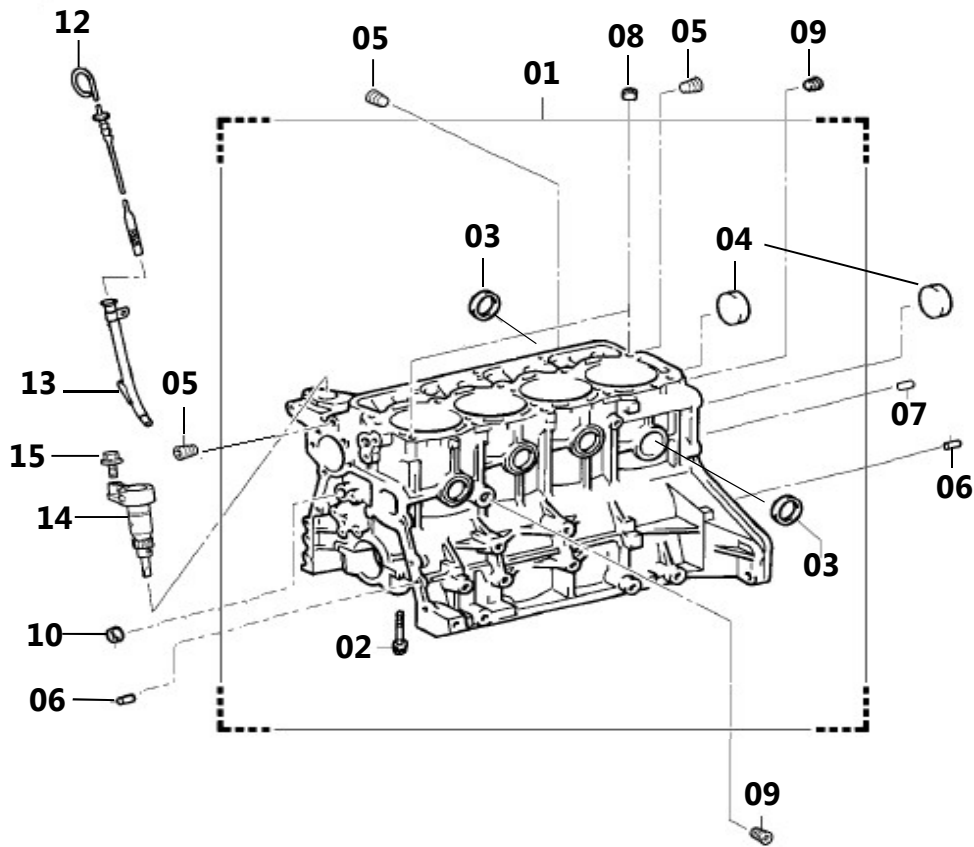


[P/N CODE]	PART NAME	R/P	PART NUMBER	QTY	MODELS	PROD. DATE	ENGINE No.
[1103-01]	COVER ASSY, CYLINDER HEAD		11210-UB010	1			
[1103-02]	GASKET, CYLINDER HEAD COVER		11213-71020	1			
[1103-03]	PLATE, VENTILATION BAFFLE		12216-UB020	1			
[1103-04]	GASKET, VENTILATION BAFFLE		12256-UB010	1			
[1103-05]	SCREEN, OIL SEPARATOR		12271-UB010	5			
[1103-06]	SCREW CROSSRECESS PAN		9001A-18001	9			
[1103-07]	PIPE SUB-ASSY, OIL RETURN		12209-UB010	1			
[1103-08]	GASKET, OIL RETURN PIPE		12269-UB010	1			
[1103-09]	GAGE SUB-ASSY, OIL LEVEL		15301-UB040	1			
[1103-10]	GASKET, WATER OUTLET		16341-73010	1			
[1103-11]	BOLT, STUD		9001A-15015	2			
[1103-12]	GASKET		9001A-45003	3			
[1103-13]	NUT		90179-08061	2			
[1103-14]	BOLT, FLANGE		91551-F0860	3			
[1103-15]	BOLT, W/WASHER		91621-60814	3			



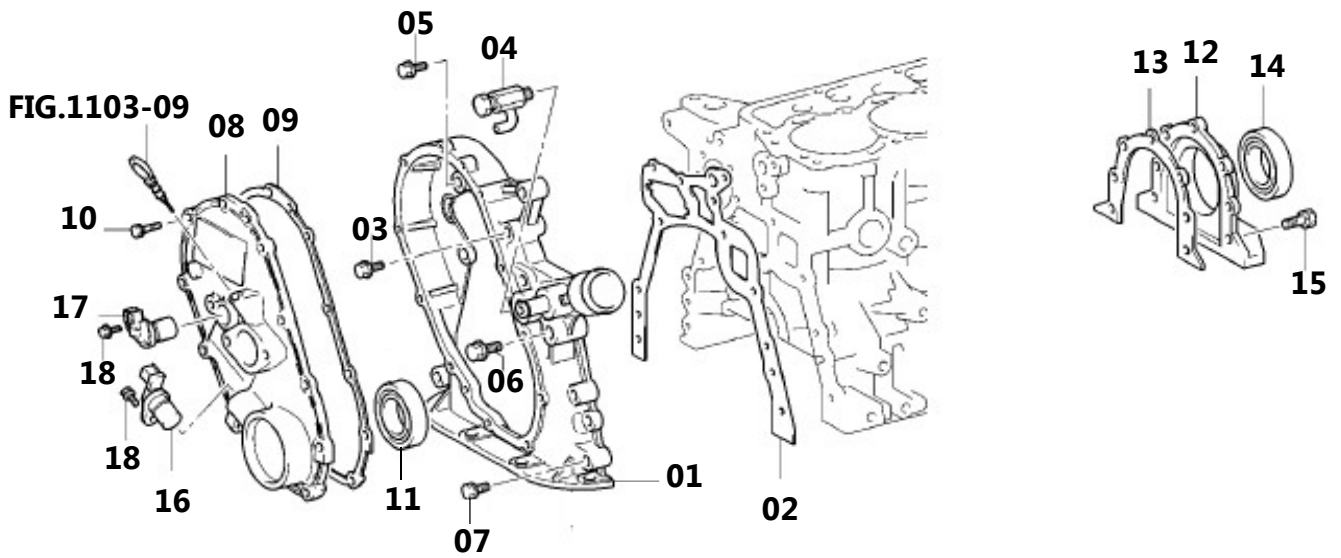
[P/N CODE]	PART NAME	R/P	PART NUMBER	QTY	MODELS	PROD. DATE	ENGINE No.
[1104-01]	HEAD SUB-ASSY, CYLINDER		11101-UB010	1			
[1104-02]	PLUG, W/HEAD STRAIGHT SCREW		90341-20002	1			
[1104-03]	GASKET		90430-20004	1			
[1104-04]	TUBE, SPARK PLUG		11191-UB010	4			
[1104-05]	GASKET		9001A-45012	4			
[1104-06]	PLATE, CYLINDER HEAD, RR		11181-71010	1			
[1104-07]	BOLT, W/WASHER		91611-40814	4			
[1104-08]	PLATE, WATER SEAL		11492-71010	1			
[1104-09]	BOLT, W/WASHER		9001A-16018	2			
[1104-10]	PLUG, TAPER SCREW		90344-53011	2			
[1104-11]	PLUG, INTAKE MANIFOLD SUCTION HOLE		90345-51005	1			
[1104-12]	GASKET, CYLINDER HEAD		11115-73030	1			
[1104-13]	BOLT, WASHER BASED HEAD HEXAGON		9001A-10006	10			
[1104-14]	BOLT, FLANGE		9001A-11008	3			
[1104-15]	WASHER, PLATE		9001A-20009	10			
[1104-17]	PLUG, STRAIGHT SCREW W/HEAD		9001A-36001	1			

1105 CYLINDER BLOCK



[P/N CODE]	PART NAME	R/P	PART NUMBER	QTY	MODELS	PROD. DATE	ENGINE No.
[1105-01]	BLOCK SUB-ASSY, CYLINDER		11401-UB010	1			
[1105-02]	BOLT		9001A-12002	10			
[1105-03]	PLUG, TIGHT		96411-43500	5			
[1105-04]	PLUG, TIGHT		96411-45000	2			
[1105-05]	PLUG, TAPER SCREW		9001A-37001	3			
[1105-06]	PIN, STRAIGHT		90250-08120	4			
[1105-07]	PIN, STRAIGHT		90250-10113	2			
[1105-08]	PIN, RING		90253-15016	2			
[1105-09]	PLUG, TAPER SCREW		90344-53011	1			
[1105-10]	PLUG, TIGHT		96411-01800	1			
[1105-12]	GUIDE, OIL LEVEL GAGE		11452-40010	1			
[1105-13]	GAGE SUB-ASSY, OIL LEVEL		15301-UB030	1			
[1105-14]	SHAFT ASSY, OIL PUMP DRIVE		38510-UB010	1			
[1105-15]	BOLT, W/WASHER		90119-08789	1			

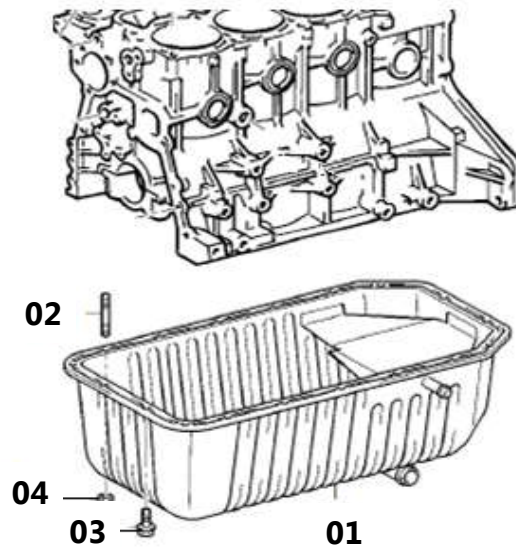
1106 TIMING GEAR COVER



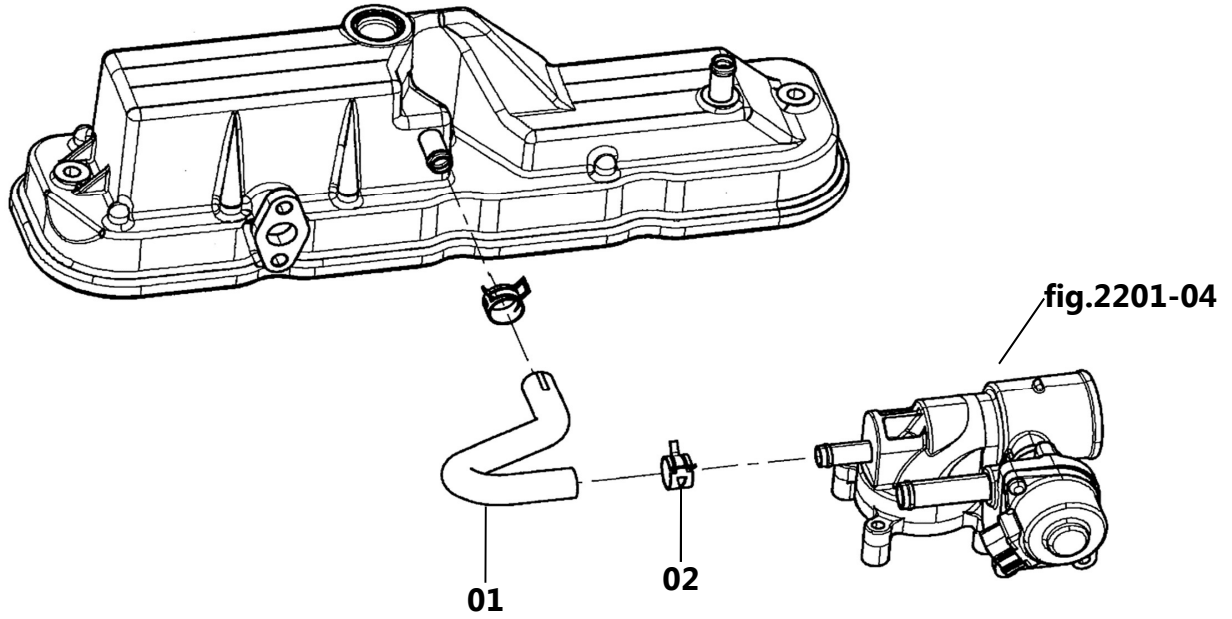
[P/N CODE]	PART NAME	R/P	PART NUMBER	QTY	MODELS	PROD. DATE	ENGINE No.
[1106-01]	CASE SUB-ASSY, TIMING GEAR		11301-UB020	1			
[1106-02]	GASKET, TIMING CHAIN CASE		11328-UB020	1			
[1106-03]	BOLT, FLANGE		9001A-11007	2			
[1106-04]	COCK ASSY, DRAIN		90910-09129	1			
[1106-05]	BOLT, FLANGE		91511-60814	3			
[1106-06]	BOLT, FLANGE		91512-61045	1			
[1106-07]	BOLT, W/WASHER		91611-60830	5			
[1106-08]	COVER, TIMING CHAIN		11321-UB030	1			
[1106-09]	GASKET, TIMING CHAIN COVER, NO.2		11329-73010	1			
[1106-10]	BOLT, FLANGE		9001A-11005	11			
[1106-11]	SEAL, TYPE T OIL		9001A-31006	1			
[1106-12]	RETAINER, OIL SEAL		11381-71010	1			
[1106-13]	GASKET, OIL SEAL RETAINER		11383-71010	1			
[1106-14]	SEAL, TYPE T OIL		9001A-31005	1			
[1106-15]	BOLT, W/WASHER		91611-40820	5			
[1106-16]	SENSOR, CRANK POSITION		19311-UB010	1			
[1106-17]	SENSOR, CRANK POSITION		19311-UB020	1			
[1106-18]	BOLT, FLANGE		9001A-11005	2			

1201

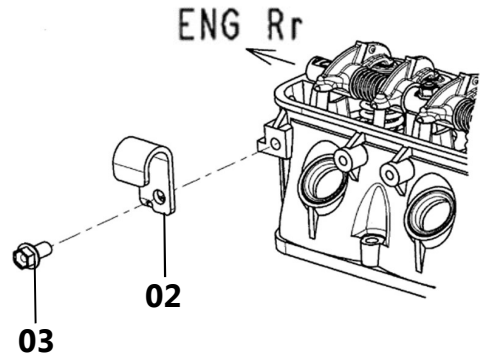
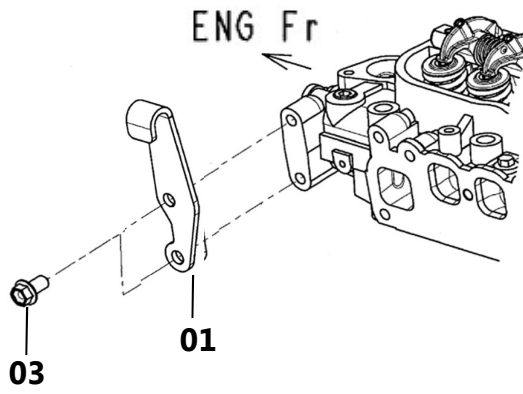
OIL PAN



[P/N CODE]	PART NAME	R/P	PART NUMBER	QTY	MODELS	PROD. DATE	ENGINE No.
[1201-01]	PAN SUB-ASSY, OIL		12101-UB020	1			
[1201-02]	BOLT, STUD		9001A-15015	2			
[1201-03]	BOLT, W/WASHER		9001A-16011	16			
[1201-04]	NUT		90179-08061	2			

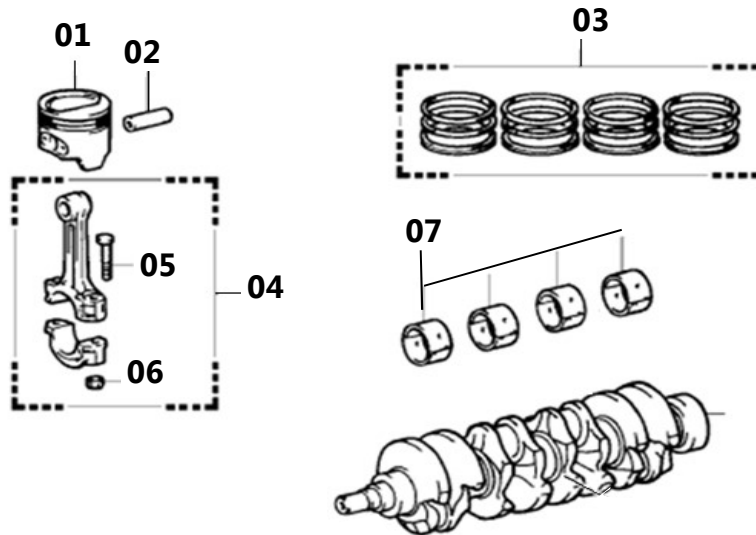


[P/N CODE]	PART NAME	R/P	PART NUMBER	QTY	MODELS	PROD. DATE	ENGINE No.
[1202-01]	HOSE, VENTILATION		12261-UB040	1			
[1202-02]	CLIP		90467-17002	2			



[P/N CODE]	PART NAME	R/P	PART NUMBER	QTY	MODELS	PROD. DATE	ENGINE No.
[1203-01]	HANGER, ENGINE, NO.1		12281-UB010	1			
[1203-02]	HANGER, ENGINE, NO.2		12282-UB010	1			
[1203-03]	BOLT, FLANGE		91552-81020	3			

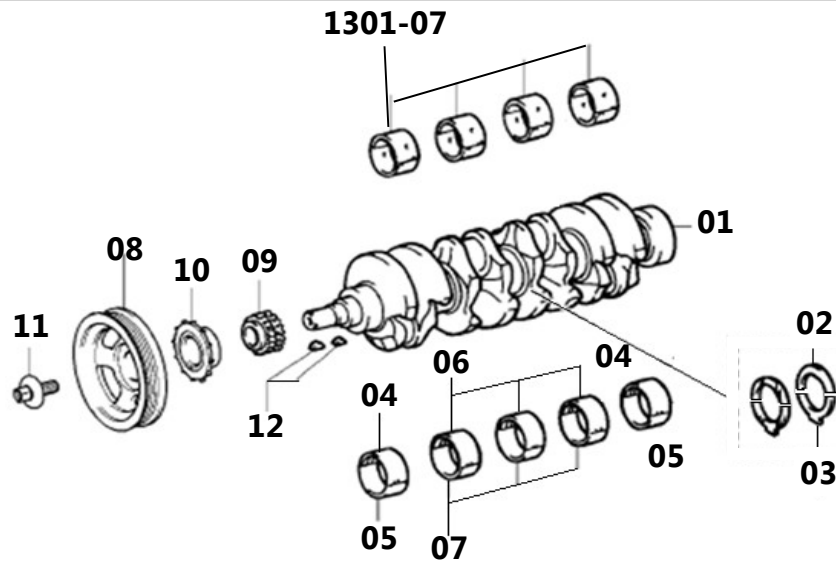
1301 PISTON & CONNECTING ROD



[P/N CODE]	PART NAME	R/P	PART NUMBER	QTY	MODELS	PROD. DATE	ENGINE No.
[1301-01]	PISTON		13211-UB020-01	4	1 [SIZE 1]		
			13211-UB020-02	4	1 [SIZE 2]		
			13211-UB020-03	4	1 [SIZE 3]		
[1301-02]	PIN, PISTON		13251-UB010	4			
[1301-03]	RING SET, PISTON		13011-UB010	1			
[1301-04]	ROD SUB-ASSY, CONNECTING		13201-UB010	4			
[1301-05]	BOLT, CONNECTING ROD		13265-UB010	2			
[1301-06]	NUT, HEXAGON		9001A-1A003	2			
[1301-07]	BEARING, CONNECTING ROD		13281-73010-06	8	[SIZE 6]		
			13281-73010-07	8	[SIZE 7]		
			13281-73010-08	8	[SIZE 8]		

1302

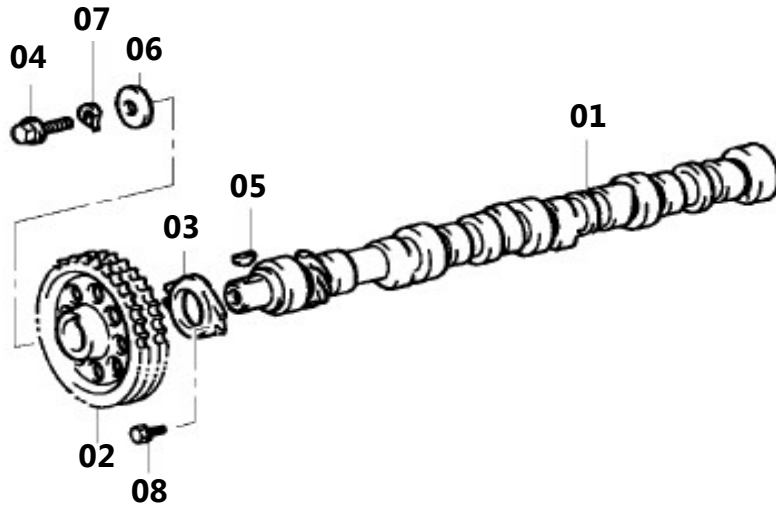
CRANKSHAFT



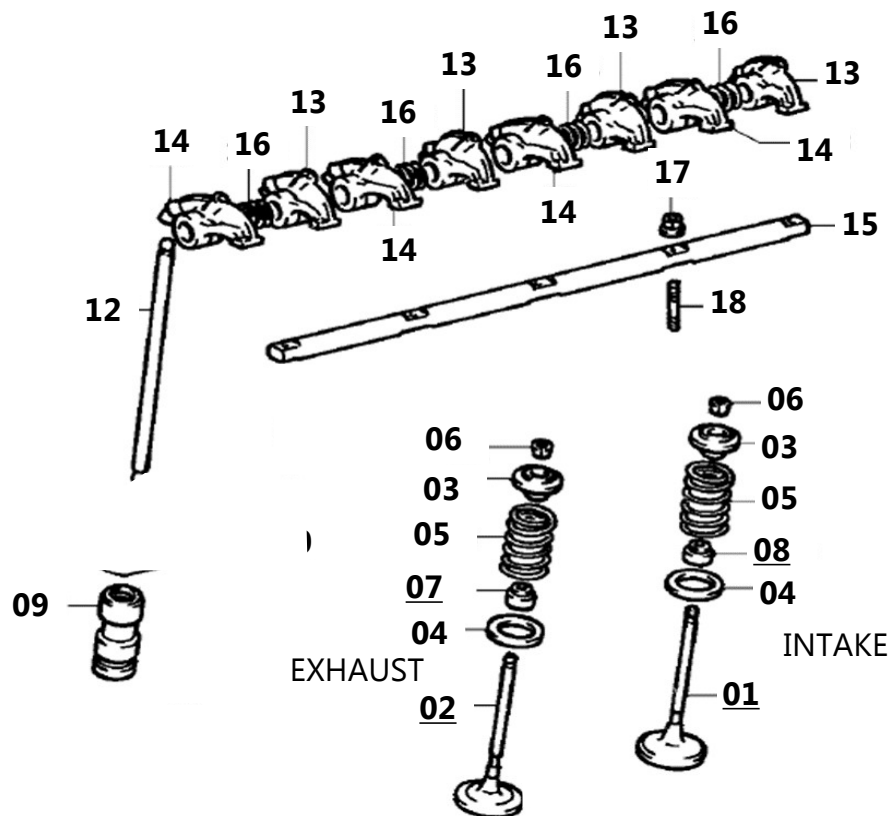
[P/N CODE]	PART NAME	R/P	PART NUMBER	QTY	MODELS	PROD. DATE	ENGINE No.
[1302-01]	CRANKSHAFT		13411-UB010	1			
[1302-02]	WASHER, CRANKSHAFT THRUST, UPR		11791-73010	2			
[1302-03]	WASHER, CRANKSHAFT THRUST, LWR		11795-73010	2			
[1302-04]	BEARING, CRANKSHAFT, NO.3		11731-73010-01	2	{ SIZE 1 }		
			11731-73010-02	2	{ SIZE 2 }		
			11731-73010-03	2	{ SIZE 3 }		
[1302-05]	BEARING, CRANKSHAFT, NO.4		11741-73010-01	2	{ SIZE 1 }		
			11741-73010-02	2	{ SIZE 2 }		
			11741-73010-03	2	{ SIZE 3 }		
[1302-06]	BEARING, CRANKSHAFT, NO.1		11711-73010-01	3	{ SIZE 1 }		
			11711-73010-02	3	{ SIZE 2 }		
			11711-73010-03	3	{ SIZE 3 }		
[1302-07]	BEARING, CRANKSHAFT, NO.2		11721-73010-01	3	{ SIZE 1 }		
			11721-73010-02	3	{ SIZE 2 }		
			11721-73010-03	3	{ SIZE 3 }		
[1302-08]	PULLEY, CRANKSHAFT		13471-UB030	1			
[1302-09]	SPROCKET, CRANKSHAFT TIMING		13521-UB010	1			
[1302-10]	ROTOR, CRANK POSITION SENSOR		19315-UB010	1			
[1302-11]	BOLT, WASHER BASED HEAD HEXAGON		9001A-10017	1			
[1302-12]	KEY, WOOD RUFF		90280-05005	2			

1303

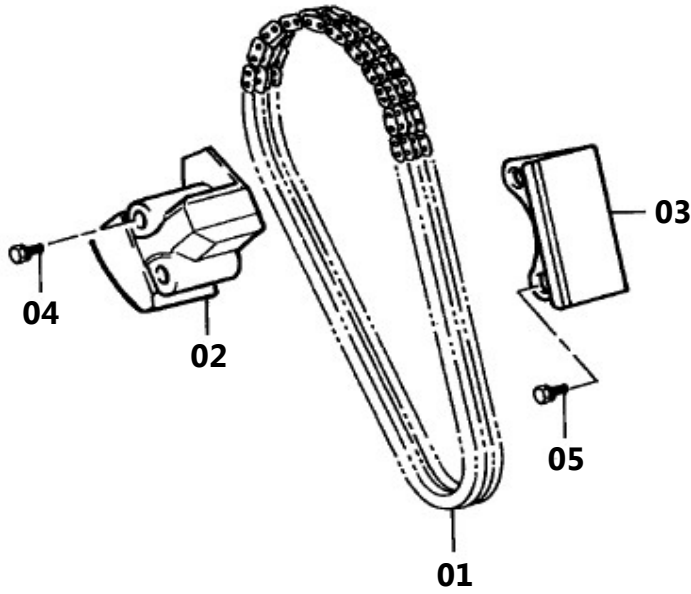
CAMSHAFT



[P/N CODE]	PART NAME	R/P	PART NUMBER	QTY	MODELS	PROD. DATE	ENGINE No.
[1303-01]	CAMSHAFT		13511-71011	1			
[1303-02]	SPROCKET, CAMSHAFT TIMING		13523-UB010	1			
[1303-03]	PLATE, CAMSHAFT THRUST		13571-71010	1			
[1303-04]	BOLT, HEXAGON		9001A-1C004	1			
[1303-05]	KEY, WOODRUFF		9001A-27002	1			
[1303-06]	WASHER, PLATE		90201-14293	1			
[1303-07]	WASHER, WAVE		90206-14048	1			
[1303-08]	BOLT, FLANGE		91511-60814	2			



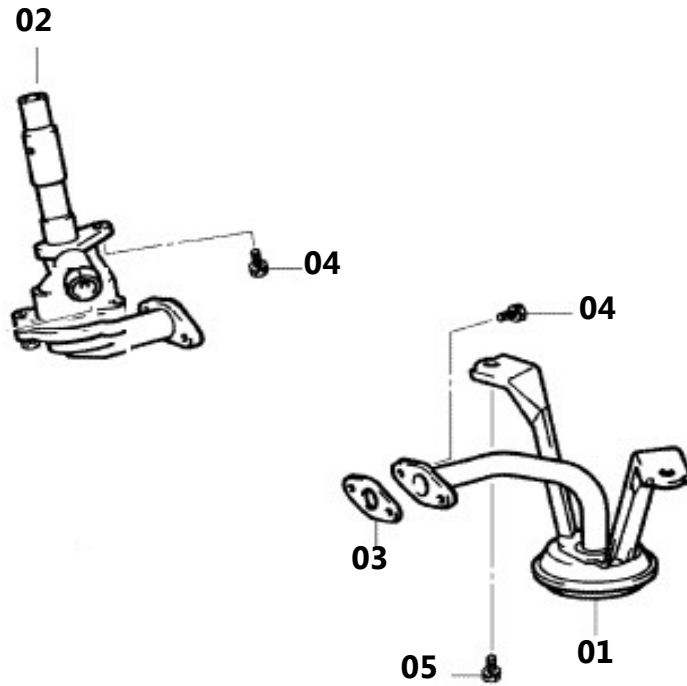
[P/N CODE]	PART NAME	R/P	PART NUMBER	QTY	MODELS	PROD. DATE	ENGINE No.
[1304-01]	VALVE, INTAKE		13711-UB010	4			
[1304-02]	VALVE, EXHAUST		13715-UB010	4			
[1304-03]	RETAINER, VALVE SPRING		13741-63010	8			
[1304-04]	WASHER, PLATE		9001A-20010	8			
[1304-05]	SPRING, COMPRESSION		9001A-50004	8			
[1304-06]	LOCK, VALVE SPRING RETAINER		90913-03014	16			
[1304-07]	SEAL, VALVE STEM OIL		9001A-91003	4	{ EXHAUST }		
[1304-08]	SEAL, VALVE STEM OIL		9001A-91004	4	{ INTAKE }		
[1304-09]	LIFTER ASSY, VALVE		13750-UB010	8			
[1304-12]	ROD, VALVE PUSH		13781-73010	8			
[1304-13]	ARM, VALVE ROCKER, NO.1		13811-71010	4	{ INTAKE }		
[1304-14]	ARM, VALVE ROCKER, NO.2		13812-71010	4	{ EXHAUST }		
[1304-15]	SHAFT SUB-ASSY, VALVE ROCKER		13901-71010	1			
[1304-16]	SPRING, COMPRESSION		90501-16068	4			
[1304-17]	NUT		9001A-1J001	2			
[1304-18]	BOLT, STUD		90116-08167	2			



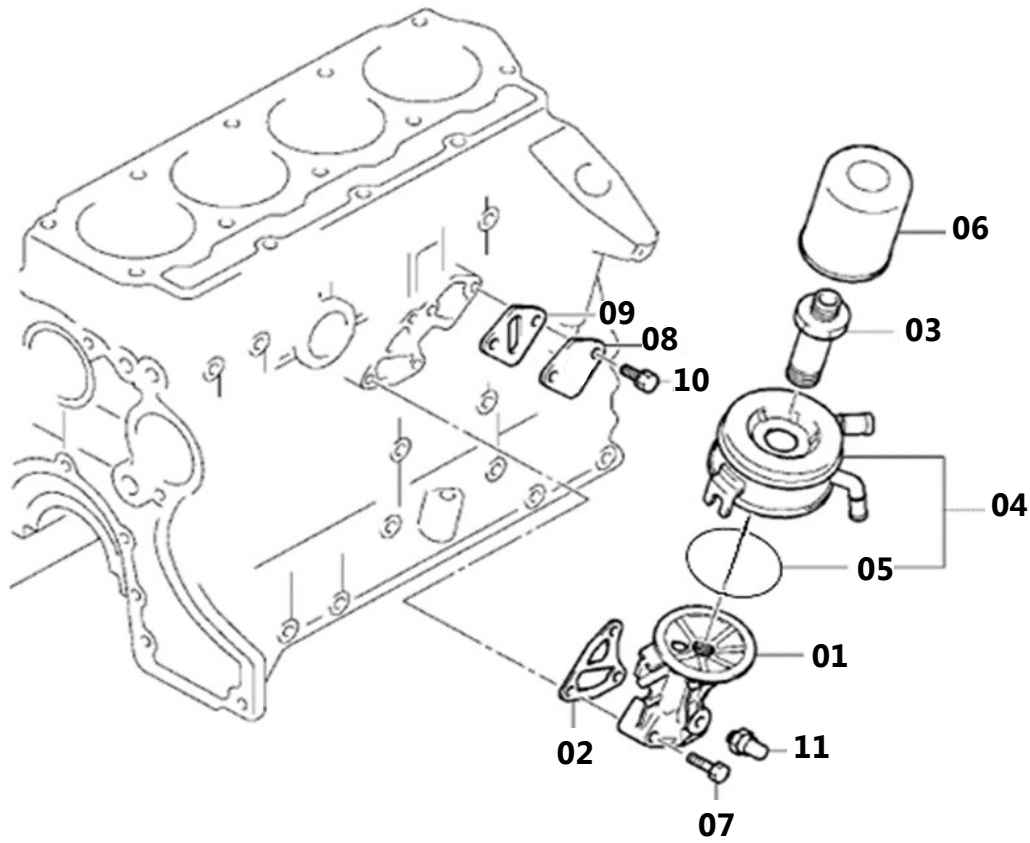
[P/N CODE]	PART NAME	R/P	PART NUMBER	QTY	MODELS	PROD. DATE	ENGINE No.
[1305-01]	CHAIN SUB-ASSY, TIMING		13506-UB021	1			
[1305-02]	TENSIONER ASSY, CHAIN, NO.1		13540-UB020	1			
[1305-03]	DAMPER, CHAIN VIBRATION, NO.1		13561-UB010	1			
[1305-04]	BOLT, WASHER BASED HEAD HEXAGON		90105-08166	2			
[1305-05]	BOLT, W/WASHER		91621-60814	2			

1501

OIL PUMP



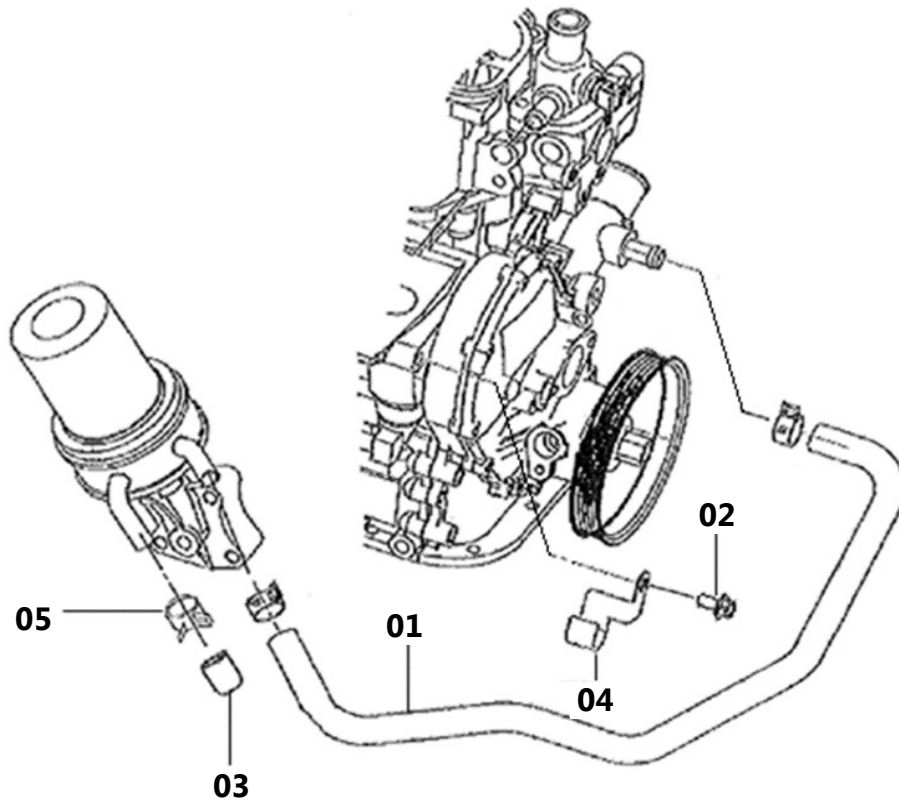
[P/N CODE]	PART NAME	R/P	PART NUMBER	QTY	MODELS	PROD. DATE	ENGINE No.
[1501-01]	STRAINER SUB-ASSY, OIL		15104-UB020	1			
[1501-02]	PUMP ASSY, OIL L/STRAINER		15110-71010	1			
[1501-03]	GASKET, OIL STRAINER		15147-38020	1			
[1501-04]	BOLT, W/WASHER		91611-60820	3			
[1501-05]	BOLT, W/WASHER		91651-40814	2			



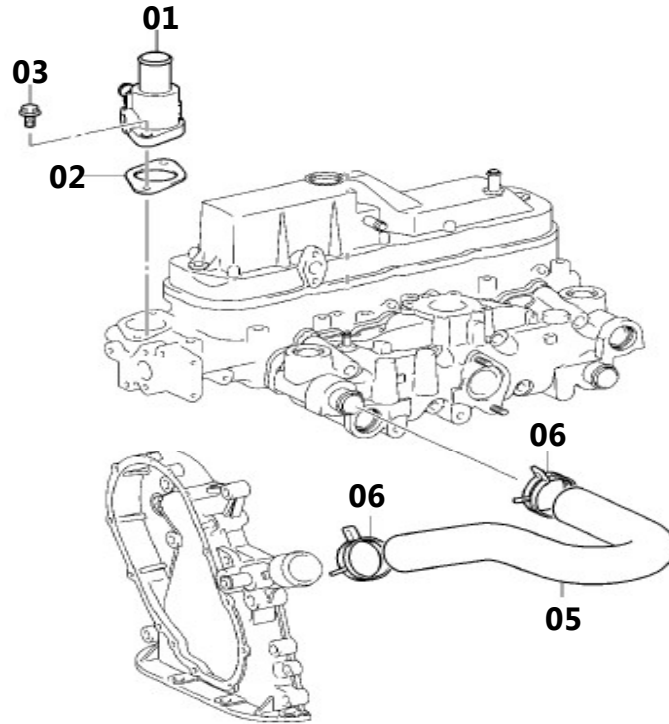
[P/N CODE]	PART NAME	R/P	PART NUMBER	QTY	MODELS	PROD. DATE	ENGINE No.
[1502-01]	BRACKET, OIL FILTER		15671-UB020	1			
[1502-02]	GASKET, OIL FILTER		15691-71011	1			
[1502-03]	BOLT, OIL COOLER UNION		15695-74010	1			
[1502-04]	COOLER ASSY, OIL		15710-UB010	1			
[1502-05]	PACKING		90301-67004	1			
[1502-06]	FILTER, OIL		90915-20004	1			
[1502-07]	BOLT, FLANGE		91551-80845	3			
[1502-08]	PLUG, PLATE		11495-40010	1			
[1502-09]	GASKET, FUEL PUMP		9001A-9A001	1			
[1502-10]	BOLT, W/WASHER		91611-40814	2			
[1502-11]	SWITCH ASSY, OIL PRESSURE		83530-UB010	1			

1503

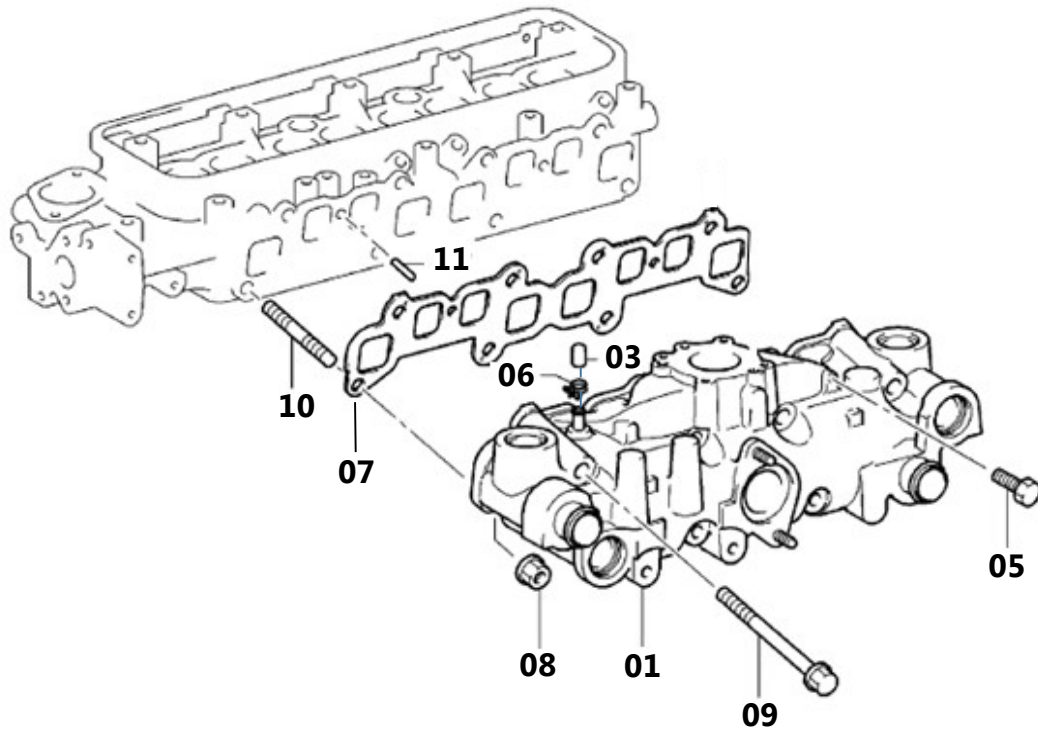
OIL COOLER HOSE



[P/N CODE]	PART NAME	R/P	PART NUMBER	QTY	MODELS	PROD. DATE	ENGINE No.
[1503-01]	HOSE, OIL COOLER, NO.1		15777-UB010	1			
[1503-02]	BOLT, W/WASHER		9001A-16023	1			
[1503-03]	PLUG		9001A-33003	1			
[1503-04]	CLAMP		9001A-48005	1			
[1503-05]	CLIP, HOSE		96136-42201	3			

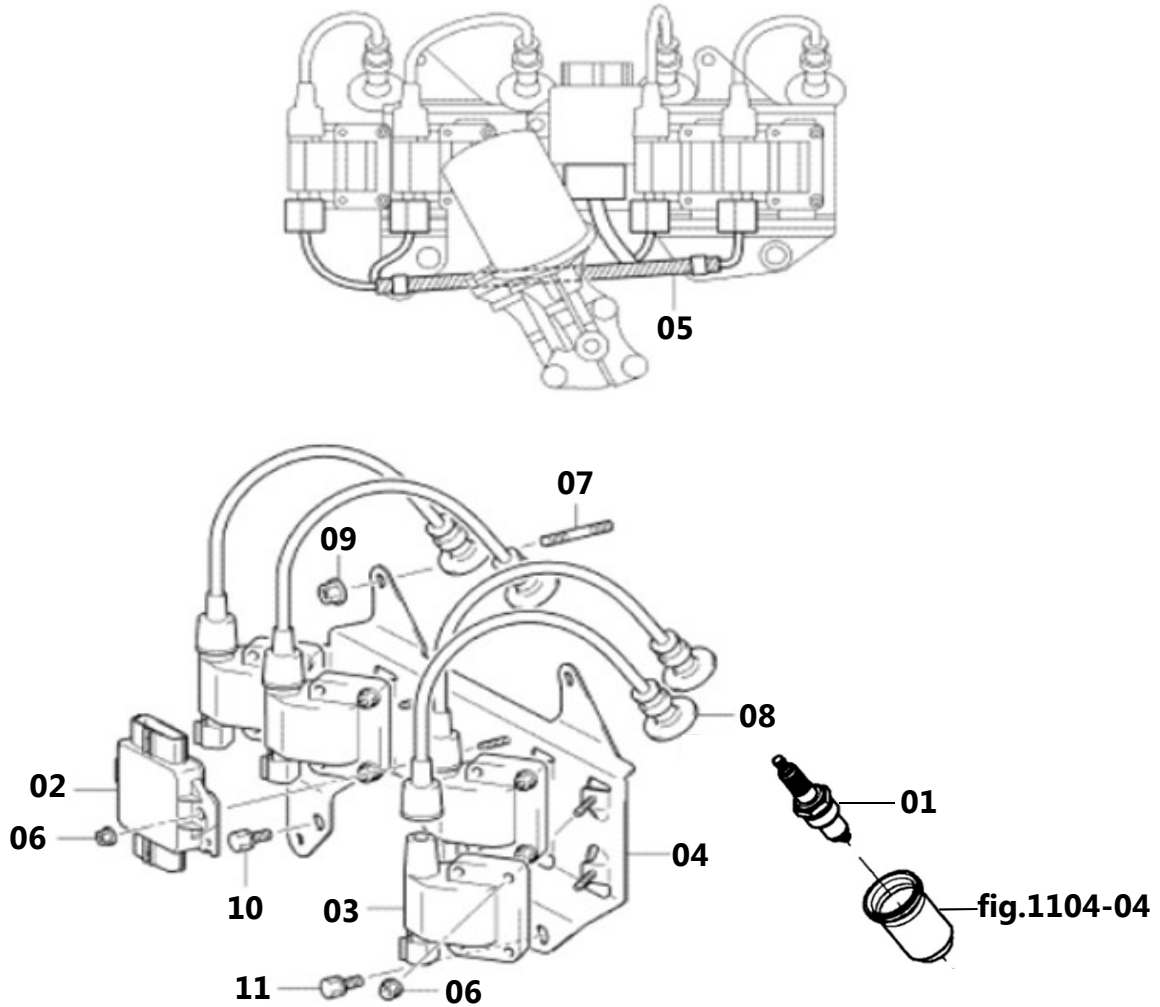


[P/N CODE]	PART NAME	R/P	PART NUMBER	QTY	MODELS	PROD. DATE	ENGINE No.
[1603-01]	OUTLET, WATER		16331-UB040	1			
[1603-02]	GASKET, WATER OUTLET		16341-73010	1			
[1603-03]	BOLT, FLANGE		9001A-11006	2			
[1603-05]	HOSE, WATER INLET		16262-UB020	1			
[1603-06]	CLIP		90467-41005	2			

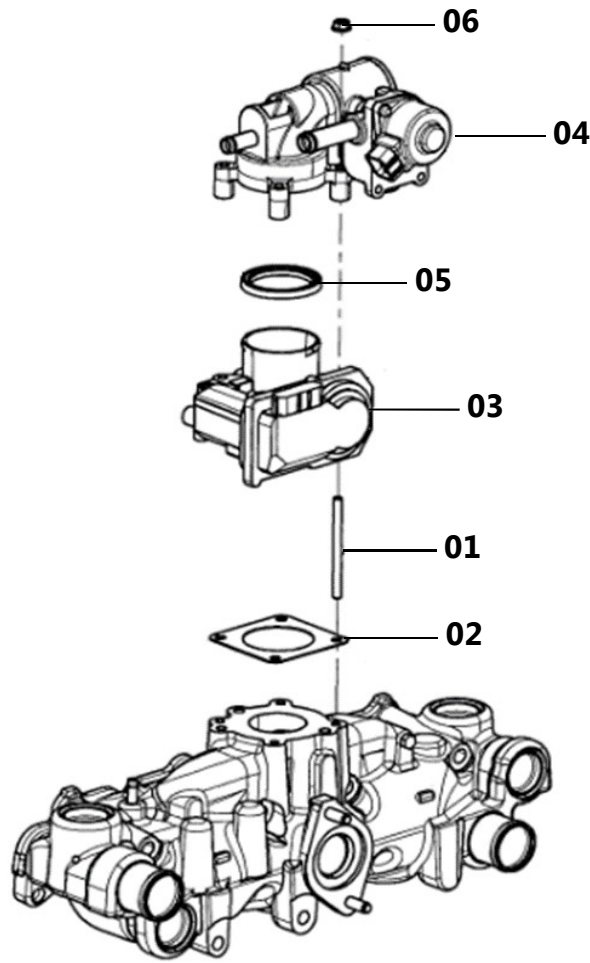


[P/N CODE]	PART NAME	R/P	PART NUMBER	QTY	MODELS	PROD. DATE	ENGINE No.
[1701-01]	MANIFOLD ASSY		17110-UB030	1			
[1701-03]	PLUG		9001A-33002	1			
[1701-05]	PLUG, INTAKE MANIFOLD SUCTION HOLE		90345-51005	1			
[1701-06]	CLIP, HOSE		96137-41301	1			
[1701-07]	GASKET, MANIFOLD TO CYLINDER HEAD		17172-73010	1			
[1701-08]	NUT		9001A-1J002	2			
[1701-09]	BOLT, WASHER BASED HEAD HEXAGON		9001A-10005	6			
[1701-10]	BOLT, STUD		9001A-15031	2			
[1701-11]	PIN, STRAIGHT		90250-08120	2			

1901 IGNITION COIL & SPARK PLUG

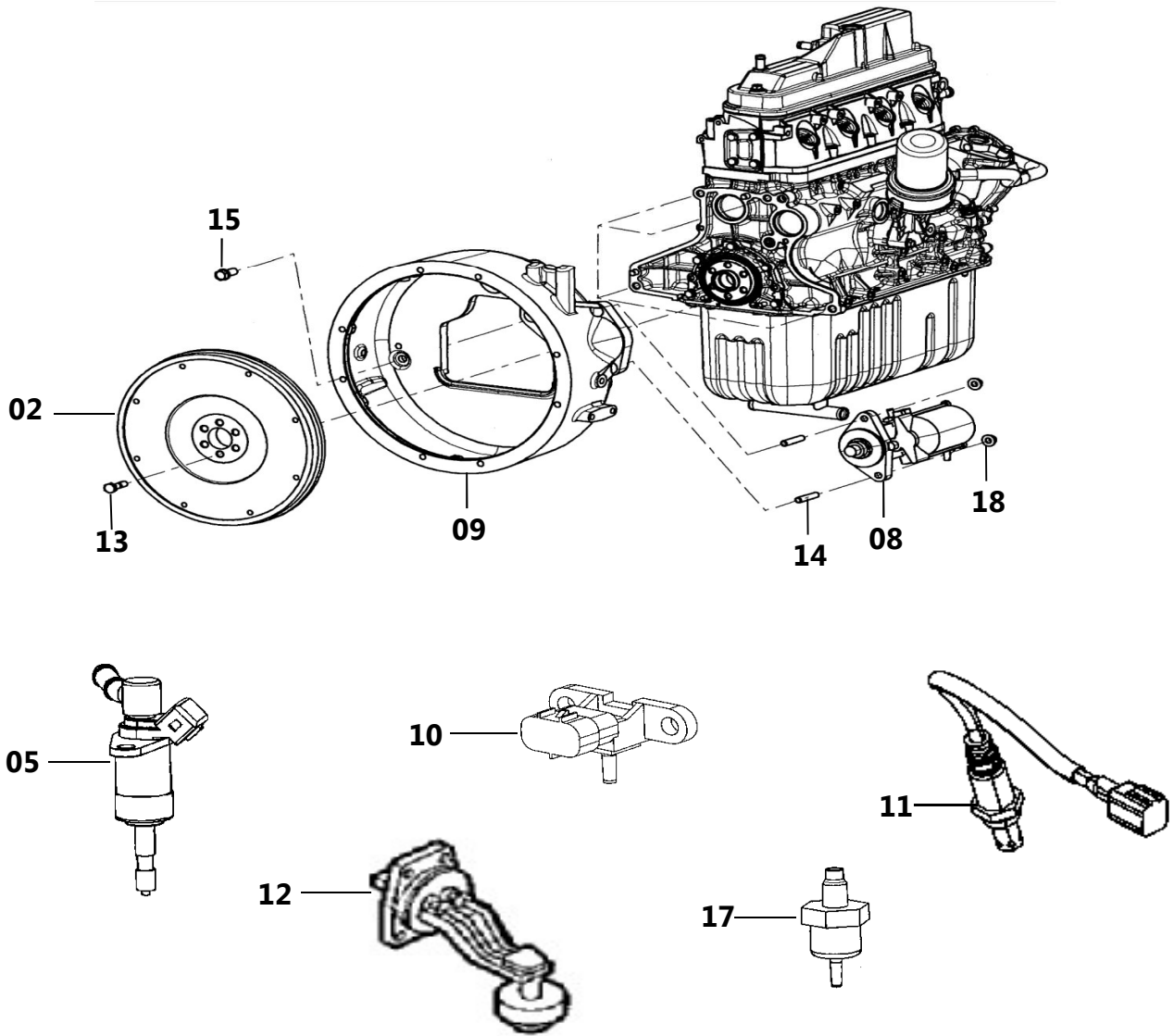


[P/N CODE]	PART NAME	R/P	PART NUMBER	QTY	MODELS	PROD. DATE	ENGINE No.
[1901-01]	PLUG, SPARK		9001A-98007	4			
[1901-02]	IGNITER ASSY		19200-UB010	1			
[1901-03]	COIL ASSY, IGNITION		19500-UB010	4			
[1901-04]	BRACKET, IGNITION COIL		19968-UB010	1			
[1901-05]	HARNESS		21368-UB010	1			
[1901-06]	NUT, FLANGE		9001A-1K001	10			
[1901-07]	BOLT, STUD		9001A-15015	2			
[1901-08]	CORD, SPARK PLUG RESISTIVE		9001A-99004	4			
[1901-09]	NUT		90179-08061	2			
[1901-10]	BOLT, W/WASHER		91621-60814	1			
[1901-11]	BOLT, W/WASHER		91622-61018	1			



[P/N CODE]	PART NAME	R/P	PART NUMBER	QTY	MODELS	PROD. DATE	ENGINE No.
[2201-01]	BOLT, STUD		9001A-15011	4			
[2201-02]	GASKET, THROTTLE BODY		22215-UB010	1			
[2201-03]	BODY ASSY, THROTTLE W/MOTOR		22030-UB010	1			
[2201-04]	ADAPTER SUB-ASSY, LPG		26021-UB050	1			
[2201-05]	GASKET		26256-UB010	1			
[2201-06]	NUT, FLANGE		9001A-1K002	4			

9001 LOOSE PARTS



[P/N CODE]	PART NAME	R/P	PART NUMBER	QTY	MODELS	PROD. DATE	ENGINE No.
[9001-02]	FLYWHEEL SUB-ASSY		13405-UB020	1			
[9001-05]	INJECTOR ASSY, LPG		23260-73050	1			
[9001-08]	STARTER ASSY		28100-UB020	1			
[9001-09]	HOUSING, CLUTCH		31111-UB030	1			
[9001-10]	SENSOR, VACUUM		89421-26030	1			
[9001-11]	SENSOR, OXYGEN		89465-UB010	2			
[9001-12]	SENSOR, ENGINE OIL LEVEL		89491-UB010	1			
[9001-13]	BOLT, FLYWHEEL		9001A-1F001	6			
[9001-14]	BOLT, STUD		9001A-15023	2			
[9001-15]	BOLT, W/WASHER		9001A-16026	4			
[9001-17]	FILTER, GAS		90917-11022	1			
[9001-18]	NUT, FLANGE		94151-81000	2			