

0CD50-M08970EN

Precautions

1. Some of the illustrations in this parts catalog are simplified.
2. Depending on the specifications of your product, the actual product and parts catalog may not match.
3. Please use genuine parts when repairing the product.
4. When ordering spare parts, please confirm the specifications (model name, serial number, part number, quantity, etc.) and confirm with your distributors or dealers.
5. Please refer to the user manual or service manual for information on how to replace parts, technical information, and other related details.
6. If you are using a booklet or PDF parts catalog, you must verify the latest information via the online parts catalog.

Disclaimer

1. Our company will not assume any responsibility for the matters stipulated in each of the following items.
 - 1) The contents provided in this parts catalog may not correspond with the latest products due to changes in regulations, product specifications, or other amendments.
 - 2) The illustrations of the products listed in this parts catalog (including 3D images) are for image purposes only and may differ from the actual product and specifications.
 - 3) This parts catalog does not guarantee conformity to the customer's requirements.
 - 4) In addition to the previous items, we do not guarantee the accuracy, completeness, assurance, applicability, usefulness, availability, safety or reliability of this parts catalog.
2. Our company assumes no responsibility whatsoever for any damage or disadvantage suffered by customers or others due to the addition, modification, suspension, cancellation, or discontinuation, etc., of the contents of this parts catalog. ("Damages" includes, but is not limited to, loss of opportunities for use of this parts catalog, as well as consequential damages, indirect damages, special damages, future damages and any loss of profits or any other disadvantages or damages.)
3. Customers are requested to use this parts catalog at their own risk. Our company assumes no responsibility whatsoever for any damages incurred by customers or other companies as a result of using or not using this parts catalog.
4. When using this parts catalog, you must comply with the laws and regulations applicable in the country or region in which you use it. Our company assumes no responsibility for any violations of laws and regulations by the customer.

P R E F A C E

This parts catalog is the 1st edition of 4TNV88-BDPP for Polar Power Inc.

Published : Jun, 2023

Contents

OCD50-M08970

Fig. No. Fig. Name

Fig. No. Fig. Name

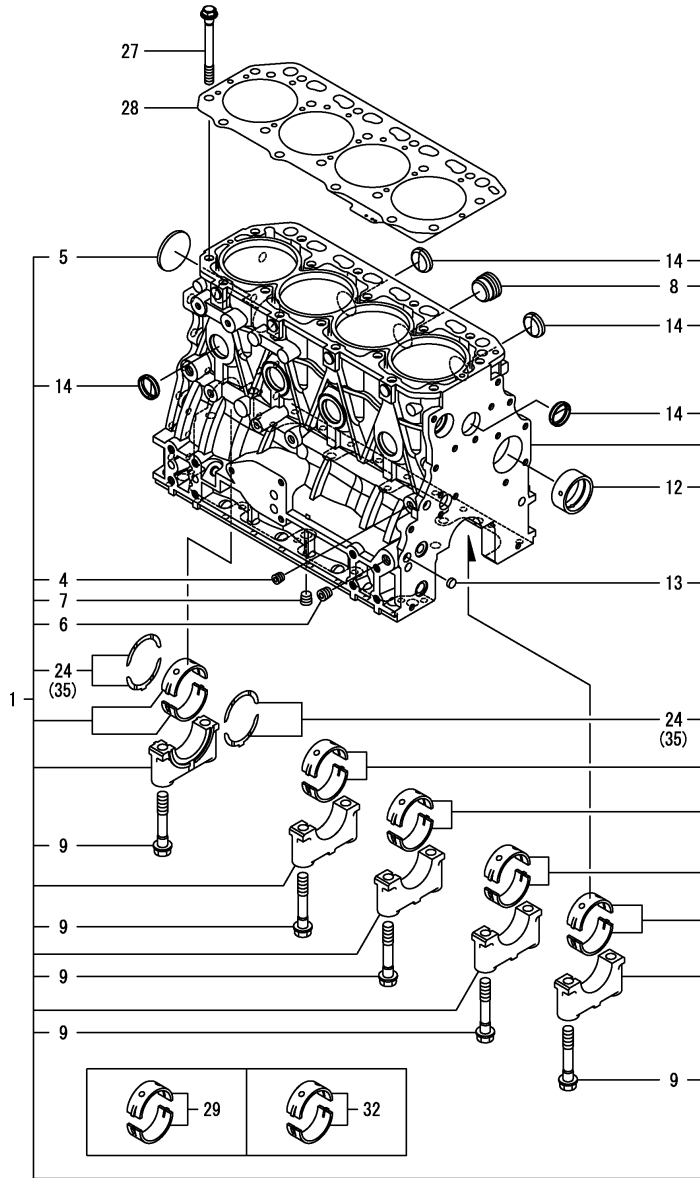
ENGINE

1. CYLINDER BLOCK
2. GEAR HOUSING
3. FLYWHEEL HOUSING & OIL SUMP
4. CYLINDER HEAD & BONNET
5. SUCTION MANIFOLD
6. EXHAUST MANIFOLD
7. CAMSHAFT & DRIVING GEAR
8. CRANKSHAFT & PISTON
9. LUB. OIL SYSTEM
10. COOLING WATER SYSTEM
11. FUEL INJECTION PUMP
12. GOVERNOR
13. FUEL INJECTION VALVE
14. FUEL PIPE
15. STARTER MOTOR
16. GENERATOR
17. ACCESSORY

Fig.1. CYLINDER BLOCK

(A)=4TNV88-BDPP
(B)=
(C)=

(D)=
(E)=
(F)=

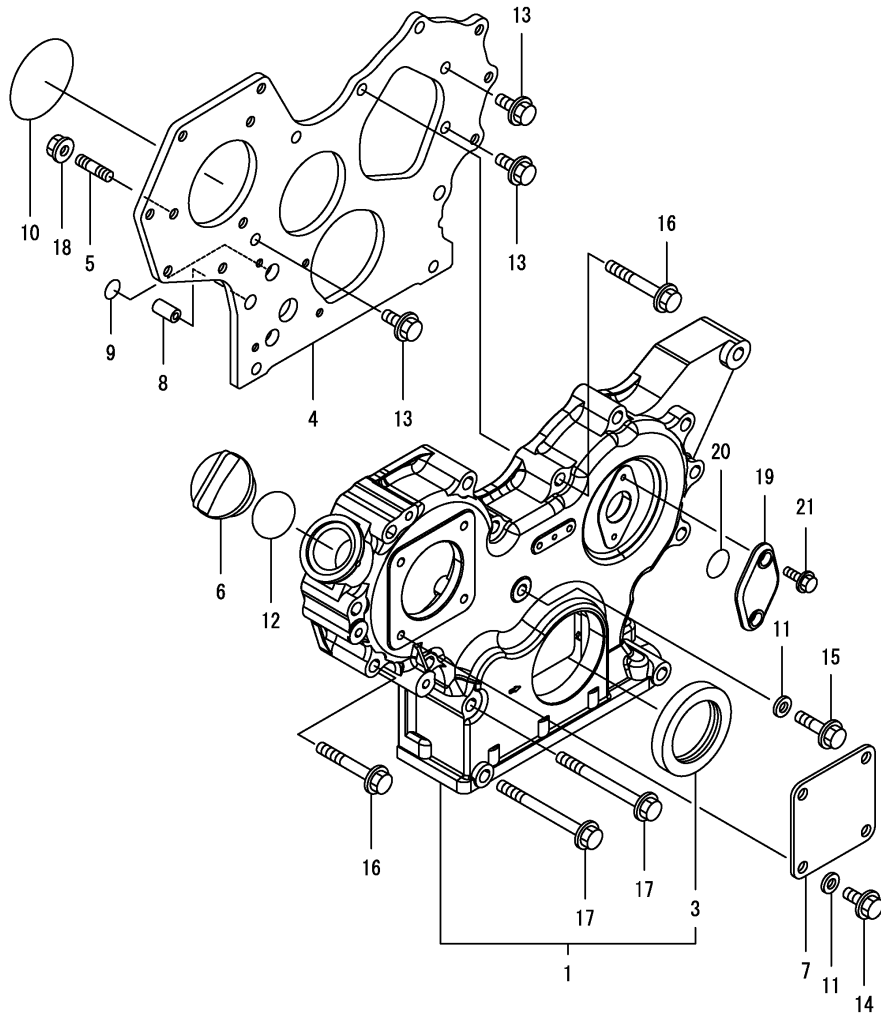


No.	Lev.	Parts No.	Description	Q'ty						I	R
				(A)	(B)	(C)	(D)	(E)	(F)		
1	1	729602-01560	BLOCK ASSY, CYLINDER	1							
4	2	124060-01050	PLUG, PT1/8	1							
5	2	129001-01250	PLUG, 50	1							
6	2	124160-01910	PLUG, PT1/4	2							
7	2	124160-01910	PLUG, PT1/4	1							
8	2	171051-01921	PLUG, NPTF1	1							
9	2	129150-02020	BOLT, METAL CAP	10							
12	2	129795-02412	BUSH, CAMSHAFT	1							
13	2	27241-120000	PLUG, 12	2							
14	2	27241-300000	PLUG(30	8							
24	2	129150-02931	METAL ASSY, THRUST	2							
27	1	129150-01200	BOLT, CYLINDER HEAD	18							
28	1	129407-01340	GASKET, HEAD	1							
29	1	129001-02931	METAL ASSY, MAIN	5							1
32	1	129150-02871	METAL ASSY, MAIN .25	5							2
35	1	129150-02941	METAL ASSY, 0.25 OS	1							3

Remarks

- (1) Spare parts.
- (2) Under-sized (U.S.=0.25) parts.
- (3) Over-sized (O.S.=0.25) parts.

Fig.2. GEAR HOUSING



(A)=4TNV88-BDPP
(B)=
(C)=

(D)=
(E)=
(F)=

No.	Lev.	Parts No.	Description	Q'ty						I	R
				(A)	(B)	(C)	(D)	(E)	(F)		
1	1	719803-01500	CASE ASSY, GEAR	1							
3	2	119934-01800	SEAL, OIL	1							
4	1	119803-01520	FLANGE, GEAR CASE	1							
5	1	119802-01561	STUD, M8X25	3							
6	1	124160-01751	CAP, FILLER	1							
7	1	124240-01871	COVER, HYDRAULIC PUMP	1							
8	1	129795-01950	PIPE, KNOCK L=18	2							
9	1	119609-32040	O-RING, P16	2							
10	1	121850-51960	O-RING, FUEL PUMP	1							
11	1	22190-080002	WASHER, SEAL 8	5							
12	1	24311-000320	O-RING, 1AP32.0	1							
13	1	26106-080162	BOLT, M8X 16 PLATED	3							
14	1	26106-080162	BOLT, M8X 16 PLATED	4							
15	1	26106-080302	BOLT, M8X 30 PLATED	1							
16	1	26106-080552	BOLT, M8X 55 PLATED	12							
17	1	26106-080852	BOLT, M8X 85 PLATED	3							
18	1	26306-080002	NUT, M8	3							
19	1	121023-01551	COVER, TACHOMETER	1							
20	1	24341-000240	O-RING, 1AS24.0	1							
21	1	26106-060162	BOLT, M6X 16 PLATED	2							

Fig.3. FLYWHEEL HOUSING & OIL SUMP

(A)=4TNV88-BDPP

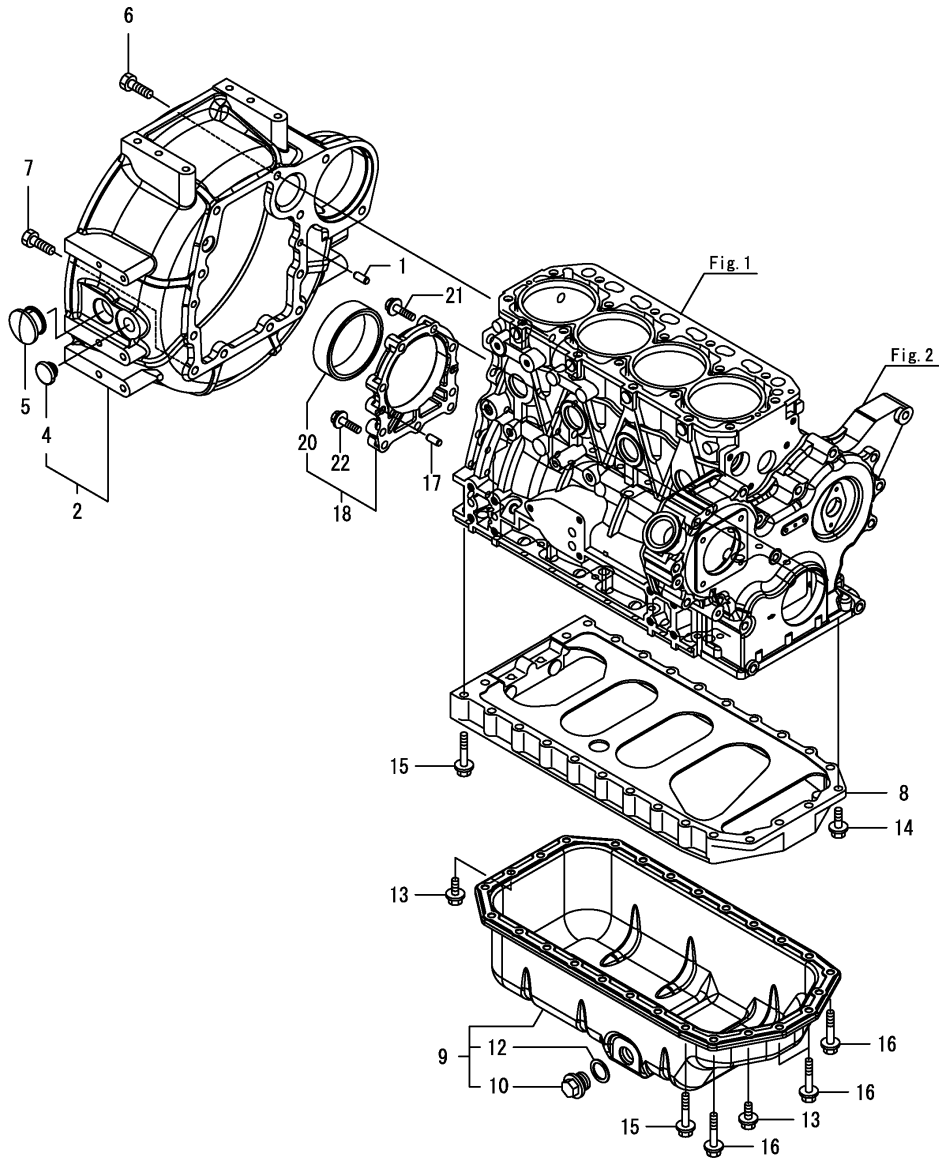
(B)=

(C)=

(D)=

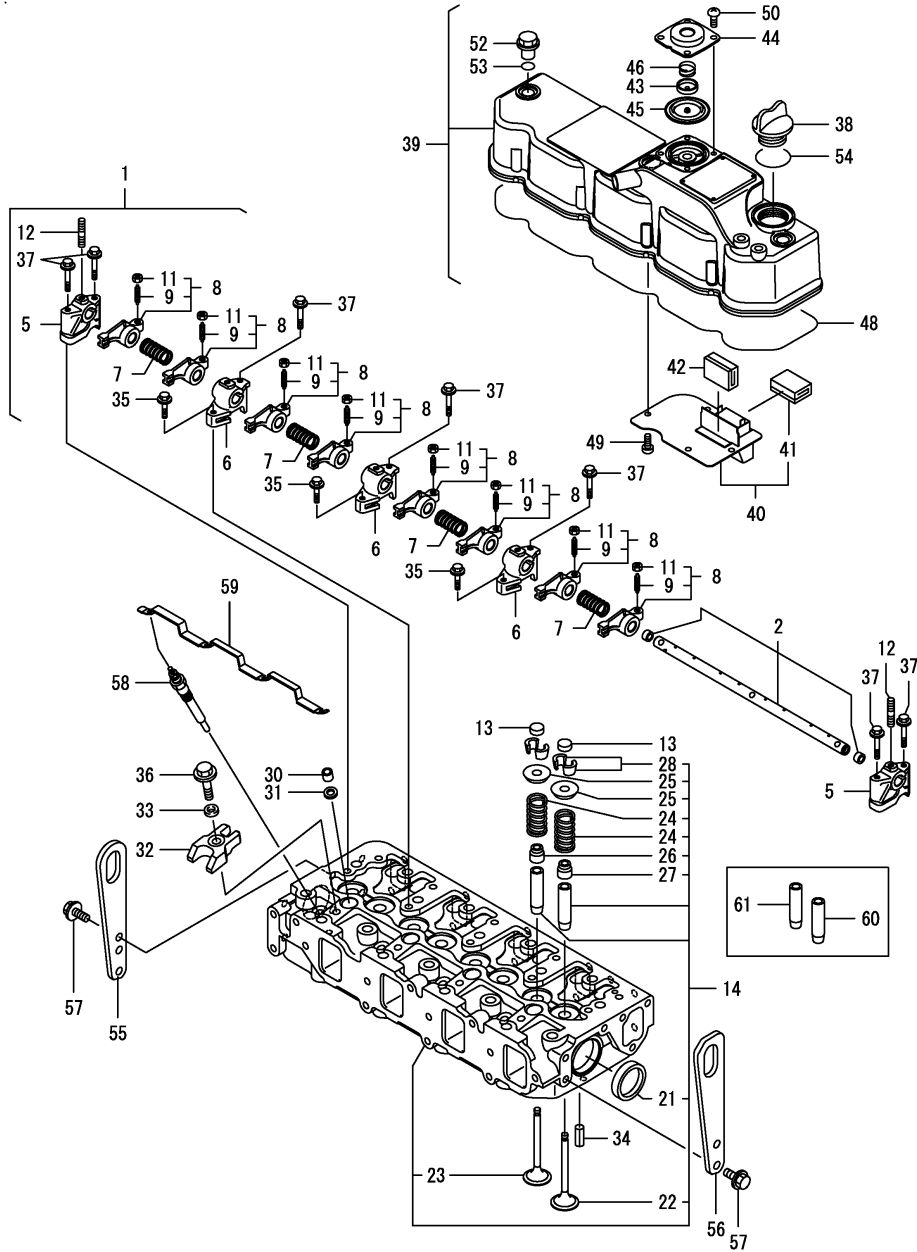
(E)=

(F)=



No.	Lev.	Parts No.	Description	Q'ty						I	R
				(A)	(B)	(C)	(D)	(E)	(F)		
1	1	129100-01580	PIN, PARALLEL 8X16	2							
2	1	119888-01601	HOUSING, FLYWHEEL	1							
4	2	119888-01850	PLUG, RUBBER 19	1							
5	1	119620-01750	CAP, WHEEL COVER	1							
6	1	26206-100252	BOLT, M10X 25 PLATED	6							
7	1	26206-100302	BOLT, M10X 30 PLATED	4							
8	1	129400-01730	SPACER, OIL PAN	1							
9	1	129688-01780	OIL PAN ASSY	1							
10	2	119640-01640	PLUG, DRAIN M22	1							
12	2	22190-220002	WASHER, SEAL 22	1							
13	1	26106-080162	BOLT, M8X 16 PLATED	4							
14	1	26106-080252	BOLT, M8X 25 PLATED	2							
15	1	26106-080452	BOLT, M8X 45 PLATED	20							
16	1	26106-080502	BOLT, M8X 50 PLATED	4							
17	1	129100-01580	PIN, PARALLEL 8X16	2							
18	1	129648-01600	CASE ASSY, OIL SEAL	1							
20	2	129648-01780	SEAL, OIL	1							
21	1	129486-01670	BOLT, M8X30	6							
22	1	26106-080352	BOLT, M8X 35 PLATED	3							

Fig.4. CYLINDER HEAD & BONNET



(A)=4TNV88-BDPP

(B)=

(C)=

(D)=

(E)=

(F)=

No.	Lev.	Parts No.	Description	Q'ty						I	R
				(A)	(B)	(C)	(D)	(E)	(F)		
1	1	129601-11241	SHAFT ASSY, ROCKER	1							
2	2	129601-11251	SHAFT, ROCKER ARM	1							
5	2	119802-11260	SUPPORT, ROCKER ARM	2							
6	2	119802-11270	SUPPORT, ROCKER ARM	3							
7	2	129150-11280	SPRING, SHAFT	4							
8	2	129004-11650	ARM ASSY, ROCKER	8							
9	3	129150-11230	SCREW, VALVE ADJUST	8							
11	3	129150-11750	NUT, M8XP1.0	8							
12	2	26226-080182	STUD, M8X 18	3							
13	1	129150-11370	CAP, VALVE	8							
14	1	129688-11700	HEAD ASSY, CYLINDER	1							
21	2	27241-400000	PLUG, 40	2							
22	2	129005-11100	VALVE, INTAKE	4							
23	2	129100-11112	VALVE, EXHAUST	4							
24	2	129795-11120	SPRING, VALVE	8							
25	2	129795-11180	RETAINER, SPRING	8							
26	2	121400-11340	SEAL, VALVE STEM	4							
27	2	124460-11340	SEAL, VALVE STEM	4							
28	2	27310-080001	COTTER, 8	8							
30	1	119802-11870	PROTECTOR, NOZZLE	4							
31	1	119625-11880	SEAT, NOZZLE	4							
32	1	129004-11900	RETAINER, NOZZLE	4							
33	1	120270-54410	WASHER, INJECTOR	4							
34	1	22351-060012	PIN, SPRING 6.0X12	2							
35	1	26106-080252	BOLT, M8X 25 PLATED	3							
36	1	26106-080352	BOLT, M8X 35 PLATED	4							
37	1	26106-080502	BOLT, M8X 50 PLATED	7							
38	1	124160-01751	CAP, FILLER	1							
39	1	129601-11350	BONNET ASSY, HEAD	1							
40	2	129004-03010	PLATE, BAFFLE	1							
41	3	119802-03070	BAFFLE, BREATHER	1							
42	2	129150-03070	BAFFLE, BREATHER	1							
43	2	119802-03110	PLATE, DIAPHRAGM	1							
44	2	119802-03121	COVER, DIAPHRAGM	1							
45	2	119802-03130	DIAPHRAGM, BREATHER	1							
46	2	119802-03141	SPRING, DIAPHRAGM	1							
48	2	129601-11310	GASKET, BONNET	1							
49	2	22857-500100	SCREW, 5X10	4							
50	2	22857-500100	SCREW, 5X10	4							
52	1	124160-11360	KNOB, BONNET	3							
53	1	24311-000120	O-RING, 1AP12.0	3							
54	1	24311-000320	O-RING, 1AP32.0	1							
55	1	129900-07900	LIFTER, ENGINE	1							
56	1	129900-07920	LIFTER, ENGINE	1							
57	1	26106-080162	BOLT, M8X 16 PLATED	4							
58	1	129008-77810	PLUG, GLOW	4							
59	1	129604-77821	CONNECTOR, GLOW PLUG	1							
60	1	120130-11860	GUIDE, VALVE	4							1
61	1	129150-11810	GUIDE, VALVE	4							1

Remarks

(1) Spare parts.

N:Old $\xrightarrow{\text{Yes}}$ New, Q:Old $\xrightarrow{\text{No}}$ New, R:Old $\xrightarrow{\text{Yes}}$ New, S:Old $\xrightarrow{\text{No}}$ New, W:Add, Z:Discontinued, F:Interchangeable by set, K:Q'ty Change

Fig.5. SUCTION MANIFOLD

(A)=4TNV88-BDPP
 (B)=
 (C)=

(D)=
 (E)=
 (F)=

No.	Lev.	Parts No.	Description	Q'ty						I	R
				(A)	(B)	(C)	(D)	(E)	(F)		
1	1	129601-03080	HOSE ASSY, BREATHER	1							
2	2	129410-03990	CLAMP, HOSE 21.5	2							
3	1	129601-12100	MANIFOLD, INTAKE	1							
4	1	129407-12110	GASKET, MANIFOLD	1							
5	1	26106-080202	BOLT, M8X 20 PLATED	6							
6	1	26106-080802	BOLT, M8X 80 PLATED	1							
7	1	129486-12581	JOINT, MANIFOLD	1							
8	1	129150-77511	GASKET, AIR HEATER	1							
9	1	26106-080202	BOLT, M8X 20 PLATED	4							

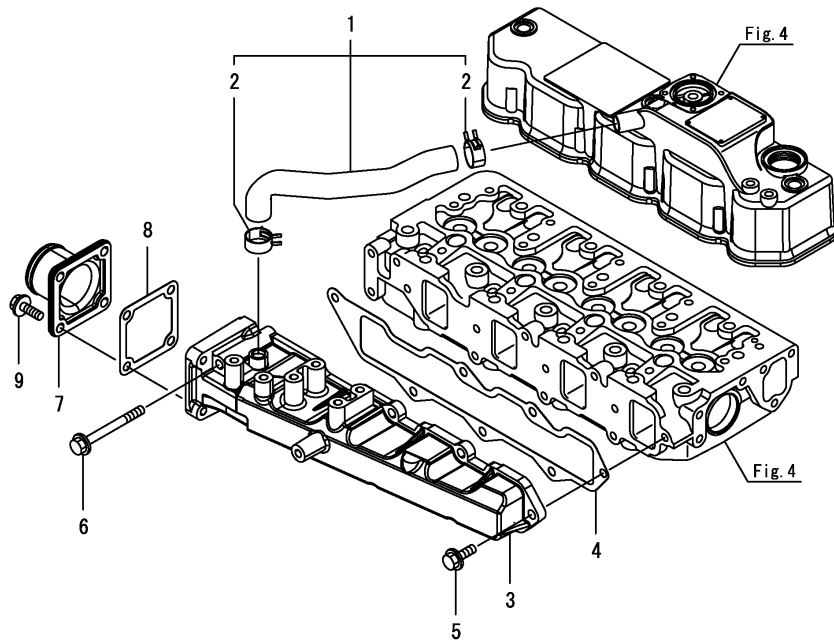
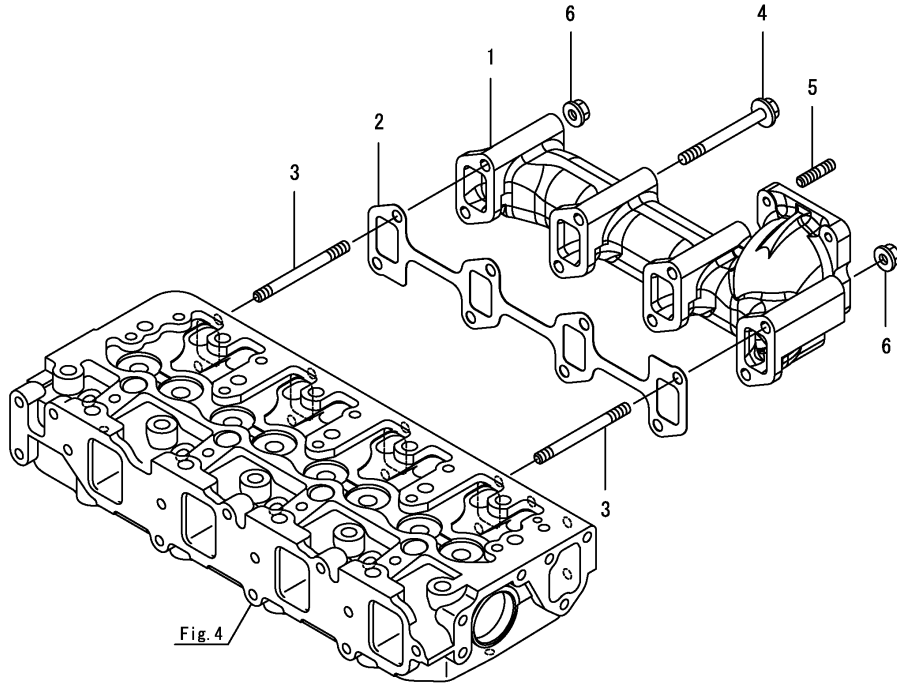


Fig.6. EXHAUST MANIFOLD

(A)=4TNV88-BDPP
(B)=
(C)=

(D)=
(E)=
(F)=



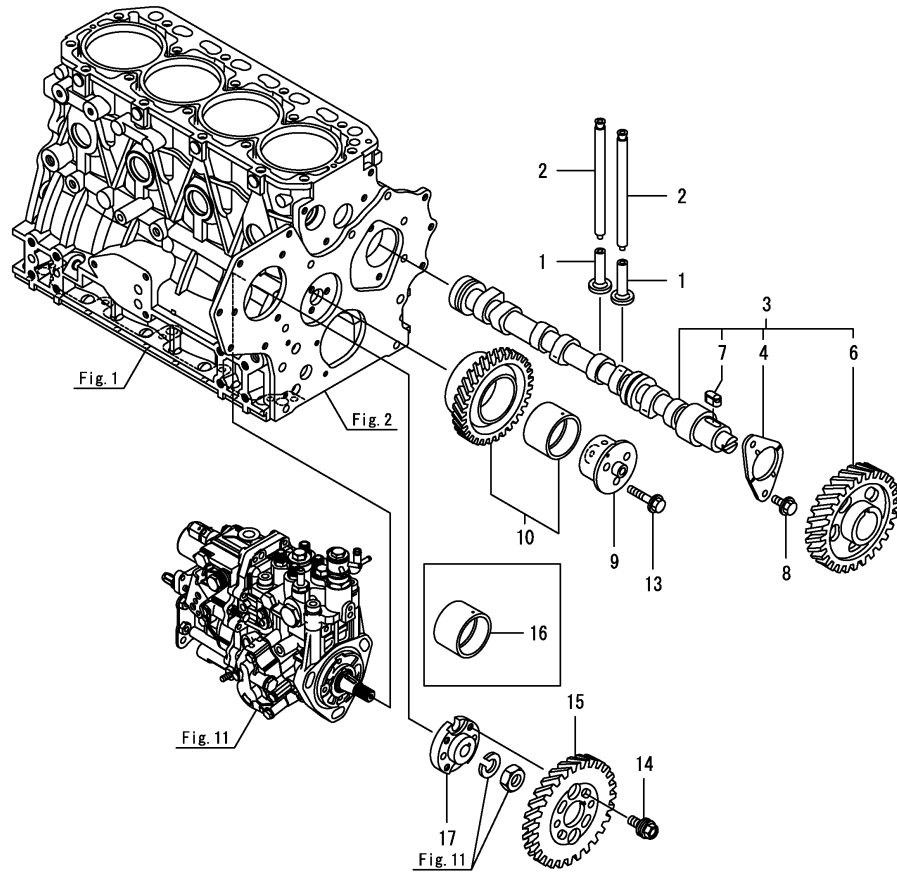
No.	Lev.	Parts No.	Description	Q'ty						I	R
				(A)	(B)	(C)	(D)	(E)	(F)		
1	1	129400-13101	MANIFOLD, EXHAUST	1							
2	1	129550-13110	GASKET, MANIFOLD	1							
3	1	123900-13610	STUD, M8X80	2							
4	1	129E00-13640	BOLT, M8X80 10.9T	6							
5	1	119131-18320	STUD, M8X22	4							
6	1	26306-080002	NUT, M8	2							

Fig.7. CAMSHAFT & DRIVING GEAR

(A)=4TNV88-BDPP
(B)=
(C)=

(D)=
(E)=
(F)=

No.	Lev.	Parts No.	Description	Q'ty						I	R
				(A)	(B)	(C)	(D)	(E)	(F)		
1	1	129150-14200	TAPPET	8							
2	1	129150-14400	ROD, PUSH L=178	8							
3	1	729402-14580	CAMSHAFT ASSY	1							
4	2	129150-02450	METAL, THRUST	1							
6	2	129150-14101	GEAR, CAMSHAFT	1							
7	2	22512-070140	KEY, 7X 14	1							
8	1	26106-080142	BOLT, M8X 14 PLATED	2							
9	1	119803-25050	SHAFT, IDLE GEAR	1							
10	1	119802-25101	GEAR ASSY, IDLE	1							
13	1	26106-080402	BOLT, M8X 40 PLATED	3							
14	1	129150-25301	BOLT, INJECTION PUMP	4							
15	1	119802-25901	GEAR, PUMP	1							
16	1	119802-25071	BUSH, IDLE GEAR	1							1
17	1	158552-51151	FLANGE, CAMSHAFT	1							



Remarks
(1)Spare parts.

Fig.8. CRANKSHAFT & PISTON

(A)=4TNV88-BDPP

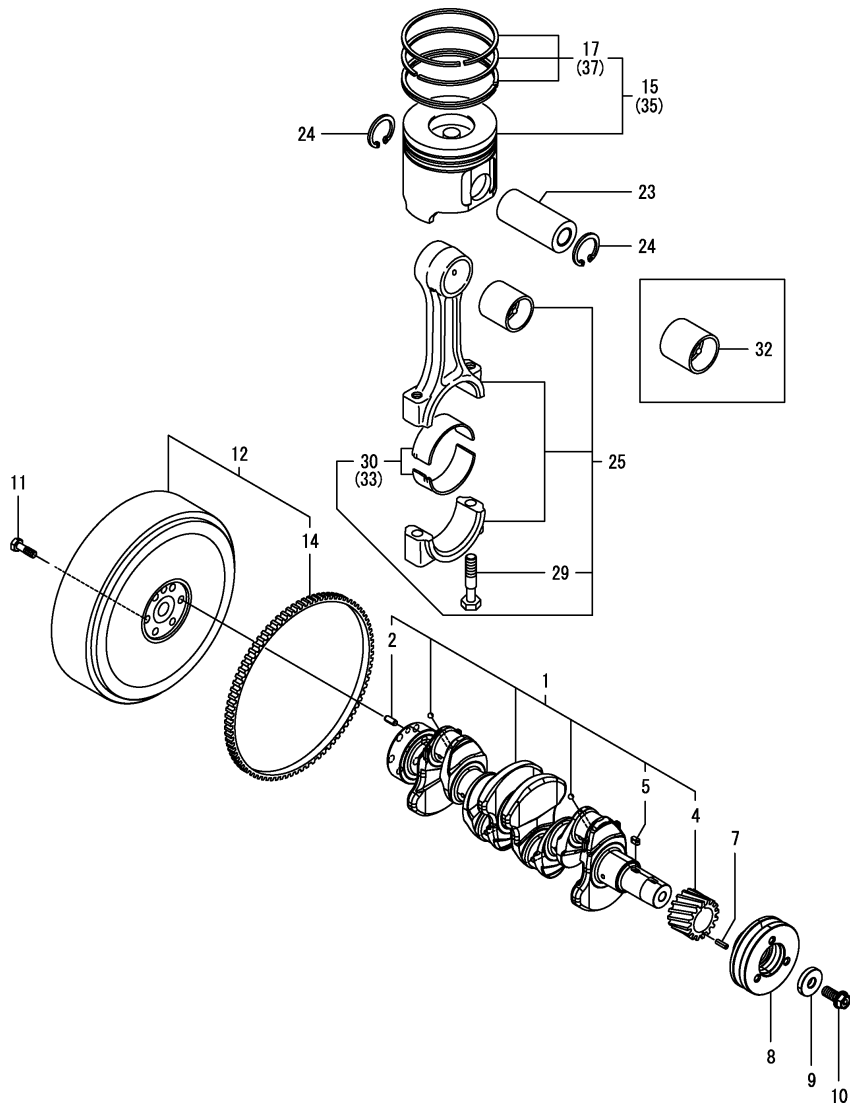
(B)=

(C)=

(D)=

(E)=

(F)=

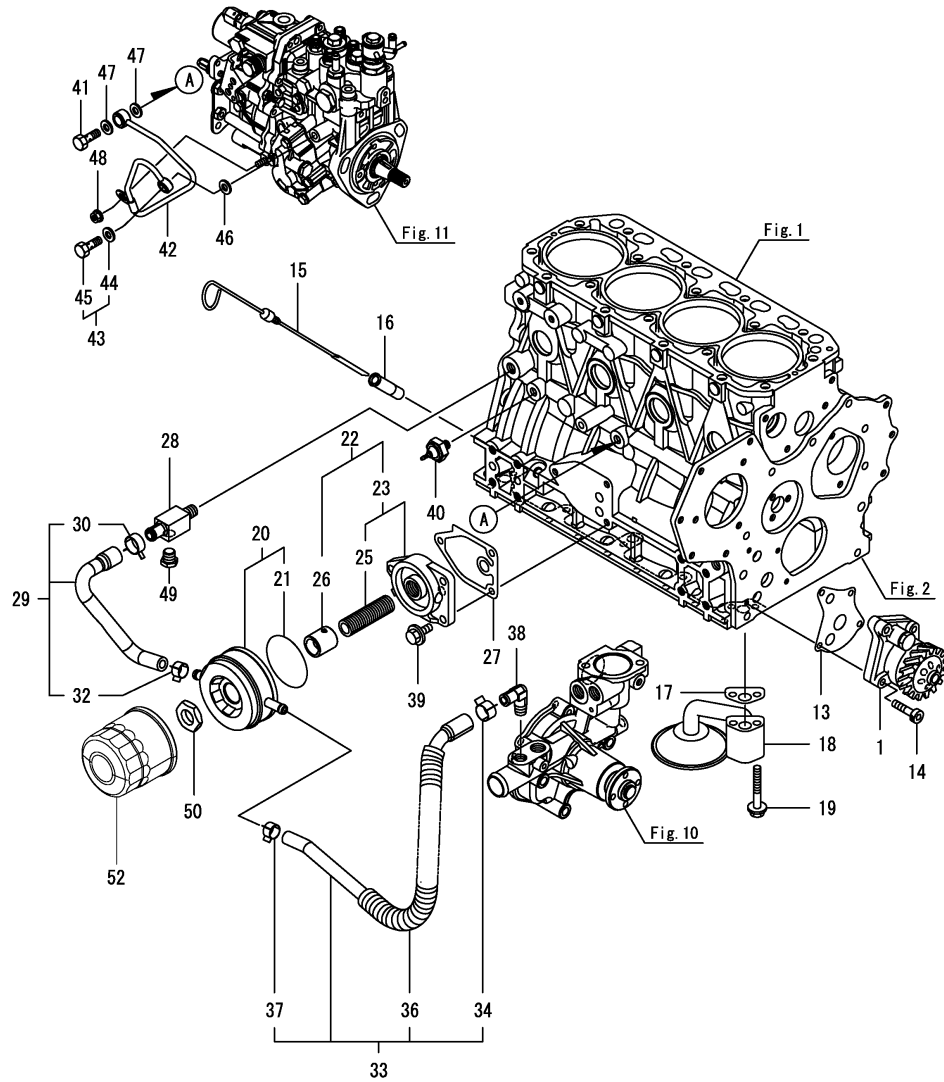


No.	Lev.	Parts No.	Description	Q'ty						I	R
				(A)	(B)	(C)	(D)	(E)	(F)		
1	1	129604-21000	CRANKSHAFT ASSY	1							
2	2	129100-01580	PIN, PARALLEL 8X16	1							
4	2	119803-21200	GEAR, CRANKSHAFT	1							
5	2	22512-070140	KEY, 7X 14	1							
7	1	22351-030010	PIN, SPRING 3.0X10	1							
8	1	119802-21650	V-PULLEY, CRANKSHAFT	1							
9	1	129795-21661	WASHER, 14	1							
10	1	121850-21680	BOLT, V-PULLEY	1							
11	1	121111-21501	BOLT, FLYWHEEL	6							
12	1	129488-21590	FLYWHEEL ASSY	1							
14	2	119865-21600	GEAR, RING Z=116	1							
15	1	129005-22080	PISTON ASSY	4							
17	2	129005-22500	RING SET, PISTON	4							
23	1	129202-22300	PIN, PISTON D26 L70	4							
24	1	22252-000260	RING, 26	8							
25	1	729402-23100	ROD ASSY, CONNECTING	4							
29	2	121550-23200	BOLT, CONNECTING ROD	8							
30	2	129150-23601	METAL ASSY,CRANK PIN	4							
32	1	129100-23910	METAL, PISTON PIN	4							1
33	1	129150-23611	METAL, CRANK PIN .25	4							2
35	1	129005-22900	PISTON ASSY, 0.25 OS	4							3
37	2	129005-22950	RING SET, PISTON .25	4							3

Remarks

- (1) Spare parts.
- (2) Under-sized (U.S.=0.25) parts.
- (3) Over-sized (O.S.=0.25) parts.

Fig.9. LUB. OIL SYSTEM



(A)=4TNV88-BDPP
(B)=
(C)=

(D)=
(E)=
(F)=

No.	Lev.	Parts No.	Description	Q'ty						I	R
				(A)	(B)	(C)	(D)	(E)	(F)		
1	1	129407-32001	PUMP ASSY, OIL	1							
13	1	129150-32020	GASKET, PUMP	1							
14	1	26450-060252	BOLT, M6X 25	4							
15	1	129004-34802	DIPSTICK, OIL	1							
16	1	121520-34810	GUIDE, DIPSTICK	1							
17	1	129150-35042	GASKET, INLET PIPE	1							
18	1	129436-35070	PIPE ASSY, OIL INLET	1							
19	1	26106-080552	BOLT, M8X 55 PLATED	2							
20	1	129508-33031	COOLER ASSY, OIL	1							
21	2	129508-33060	GASKET, COOLER	1							
22	1	129508-35100	BRACKET ASSY, LO FILT	1							
23	2	129006-35100	BRACKET ASSY, FILTER	1							
25	3	129417-35150	STUD, M20X67	1							
26	2	129508-35150	COLLAR, OIL-COOLER	1							
27	1	129150-35111	GASKET, BRACKET	1							
28	1	129006-44480	JOINT, R02	1							
29	1	129508-49030	HOSE ASSY, COOLER IN	1							
30	2	171008-03990	CLAMP, HOSE 18.5	1							
32	2	23080-015000	CLAMP, 15	1							
33	1	129508-49040	HOSE ASSY, COOLER OUT	1							
34	2	171008-03990	CLAMP, HOSE 18.5	1							
36	2	119940-59130	TUBE, CORRUGATED 19	1							
37	2	23080-015000	CLAMP, 15	1							
38	1	129103-49301	ELBOW, PT1/4	1							
39	1	26106-080202	BOLT, M8X 20 PLATED	3							
40	1	114250-39450	SWITCH, HYDRAULIC	1							
41	1	124160-39140	BOLT, PIPE JOINT M10	1							
42	1	119802-39450	PIPE ASSY, OIL	1							
43	1	129005-59830	BOLT ASSY, JOINT M8	1							
44	2	22190-080002	WASHER, SEAL 8	1							
45	2	23857-030000	BOLT, JOINT 3	1							
46	1	22190-080002	WASHER, SEAL 8	1							
47	1	22190-100002	WASHER, SEAL 10	2							
48	1	26366-060002	NUT, M6	1							
49	1	171056-49120	PLUG, DRAIN R1/4	1							
50	1	124085-35350	NUT, M20	1							
52	1	129150-35153	FILTER ASSY, D80X80L	1							1

Remarks

(1) Spare parts.

Fig.10. COOLING WATER SYSTEM

(A)=4TNV88-BDPP

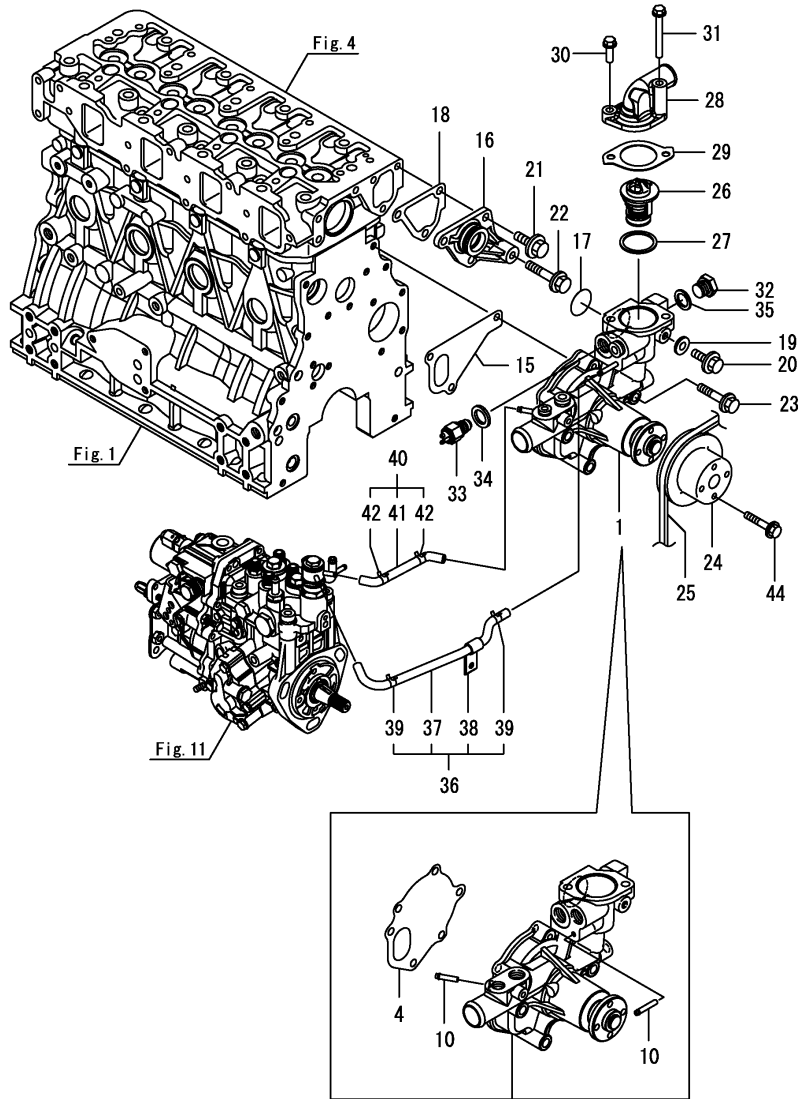
(B)=

(C)=

(D)=

(E)=

(F)=

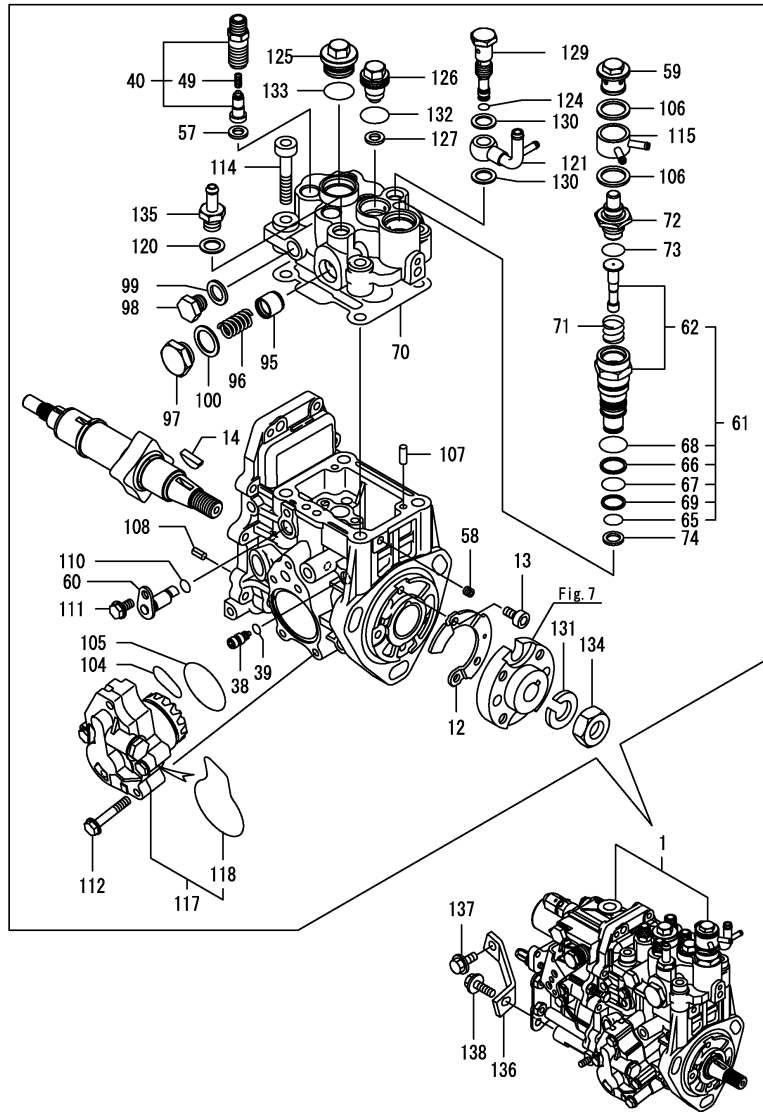


No.	Lev.	Parts No.	Description	Q'ty						I	R
				(A)	(B)	(C)	(D)	(E)	(F)		
1	1	129004-42002	PUMP ASSY, CW	1							
4	2	129100-42051	GASKET, WATER PUMP	1							
10	2	119802-49113	JOINT, PIPE	2							
15	1	129486-42021	GASKET, WATER PUMP	1							
16	1	129004-42040	JOINT, WATER PIPE	1							
17	1	129486-42140	O-RING, G30	1							
18	1	124395-49840	GASKET, THERMOSTAT	1							
19	1	23414-080000	GASKET, 8X1.0	1							
20	1	26106-080122	BOLT, M8X 12 PLATED	1							
21	1	26106-080162	BOLT, M8X 16 PLATED	3							
22	1	26106-080452	BOLT, M8X 45 PLATED	1							
23	1	26106-080602	BOLT, M8X 60 PLATED	3							
24	1	129403-42380	V-PULLEY, PUMP	1							
25	1	25152-003800	V-BELT, A38	1							
26	1	129155-49801	THERMOSTAT, 71C	1							
27	1	129150-49811	GASKET, THERMOSTAT	1							
28	1	124101-49531	COVER, THERMOSTAT	1							
29	1	129795-49551	GASKET, COVER	1							
30	1	26106-080282	BOLT, M8X 28 PLATED	1							
31	1	26106-080652	BOLT, M8X 65 PLATED	1							
32	1	121450-42450	PLUG, M16	1							
33	1	121250-44901	SWITCH, TEMPERATURE	1							
34	1	124465-44950	GASKET, 16	1							
35	1	124465-44950	GASKET, 16	1							
36	1	129004-49610	HOSE ASSY, WATER A	1							
37	2	129004-49711	HOSE, WATER A	1							
38	2	119802-49730	RETAINER, PIPE	1							
39	2	124722-59050	CLAMP, HOSE 9	2							
40	1	129004-49620	HOSE ASSY, WATER B	1							
41	2	129004-49721	HOSE, WATER B	1							
42	2	124722-59050	CLAMP, HOSE 9	2							
44	1	26106-060122	BOLT, M6X 12 PLATED	4							

Fig.11. FUEL INJECTION PUMP

(A)=4TNV88-BDPP
(B)=
(C)=

(D)=
(E)=
(F)=



No.	Lev.	Parts No.	Description	Q'ty						I	R
				(A)	(B)	(C)	(D)	(E)	(F)		
1	1	729688-51320	PUMP ASSY, INJECTION	1							1
12	2	129008-51900	COVER, PUMP	1							
13	2	129008-51920	BOLT, M6X10	2							
14	2	119802-51090	KEY, FEATHER 4X16	1							
38	2	158600-51270	STOPPER, TAPPET	1							
39	2	158563-51281	O-RING, 4D S6	1							
40	2	129008-51390	VALVE ASSY, DELIVERY	4							
49	3	158563-51330	SPRING, DELIVERY	4							
57	2	158552-51571	GASKET, BARREL PLUG	4							
58	2	158557-51570	PLUG, RACK	1							
59	2	158601-51570	PLUG	1							
60	2	158552-51580	LIFTER, LINK	1							
61	2	119802-51590	TIMER ASSY	1							
62	3	119802-51600	TIMER ASSY	1							
65	3	158553-51670	O-RING, PUMP TIMER	1							
66	3	119802-51680	RING, BACKUP	1							
67	3	119802-51690	O-RING, 1016	1							
68	3	24356-190200	O-RING, 4D19020	1							
69	3	24372-000150	RING, BACK UP T2P15	1							
70	2	158552-51600	GASKET, HEAD	1							
71	2	158553-51630	SPRING, TIMER	1							
72	2	158553-51650	ELEMENT, THERMOSTAT	1							
73	2	158553-51660	O-RING, P14	1							
74	2	158553-51680	GASKET, TIMER	1							
95	2	158601-51770	PISTON, ACCUMULATOR	1							
96	2	158552-51781	SPRING, ACCUMULATOR	1							
97	2	158601-51790	PLUG, ACCUMULATOR	1							
98	2	158553-51930	PLUG, M12	1							
99	2	22190-120002	WASHER, SEAL 12	1							
100	2	22190-180002	WASHER, SEAL 18	1							
104	2	158552-52311	O-RING, FEED PUMP	1							
105	2	158552-52400	O-RING, 4E S42	1							
106	2	22190-180002	WASHER, SEAL 18	2							
107	2	22312-050140	PIN, PARALLEL 5X14	2							
108	2	22351-050010	PIN, SPRING 5.0X10	2							
110	2	24311-000070	O-RING, 1AP7.0	1							
111	2	26106-060102	BOLT, M6X 10 PLATED	1							
112	2	26106-060352	BOLT, M6X 35 PLATED	4							
114	2	26450-080452	BOLT, M8X 45	4							
115	2	158553-51551	JOINT, COOLING WATER	1							
117	2	158552-52100	PUMP ASSY, FUEL FEED	1							
118	3	158552-52500	O-RING, PUMP INNER	1							
120	2	22190-120002	WASHER, SEAL 12	1							
121	2	158552-51670	JOINT, OVERFLOW	1							
124	2	158563-51281	O-RING, 4D S6	1							
125	2	158601-51550	PLUG, M22	1							
126	2	119802-51560	PLUG, BARREL M14	1							
127	2	158552-51571	GASKET, BARREL PLUG	1							
129	2	158601-51650	JOINT, OVERFLOW	1							
130	2	22190-120002	WASHER, SEAL 12	2							
131	2	22217-140000	WASHER, SPRING 14	1							

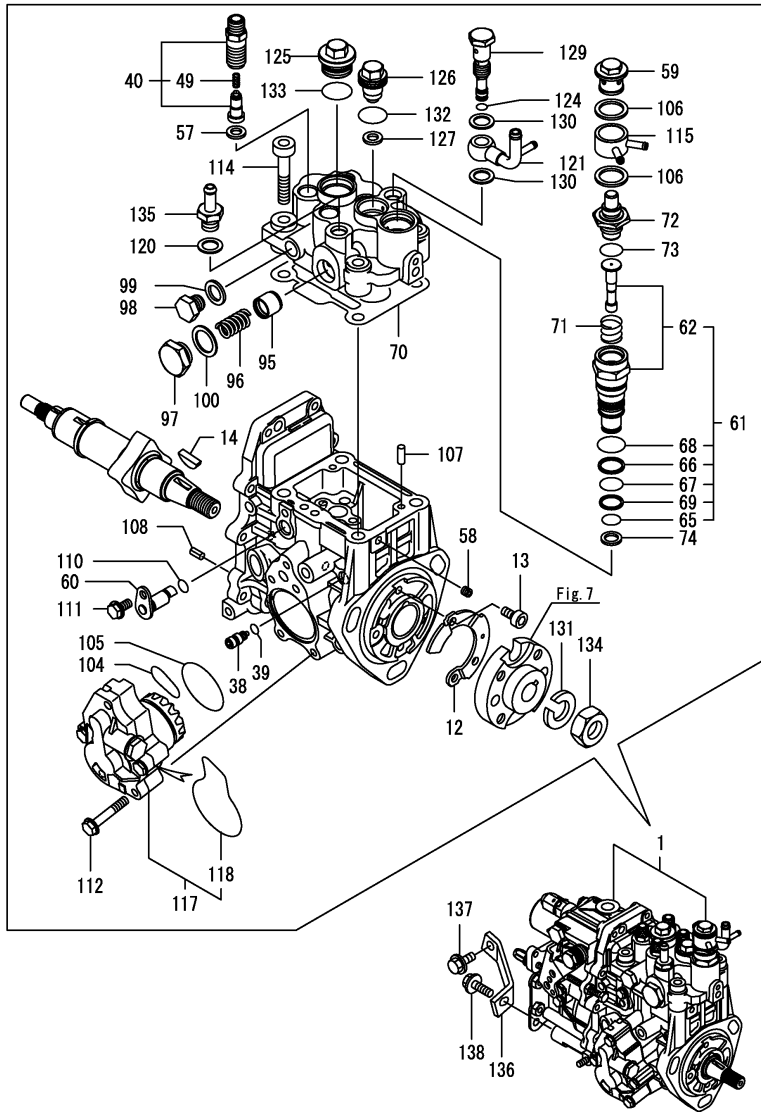
Remarks

(1)Governor(Fig.12) is incorporated in this Fuel Injection Pump(No.1).

Fig.11. FUEL INJECTION PUMP

(A)=4TNV88-BDPP
(B)=
(C)=

(D)=
(E)=
(F)=



No.	Lev.	Parts No.	Description	Q'ty						I	R
				(A)	(B)	(C)	(D)	(E)	(F)		
132	2	24356-190180	O-RING, 4D19018	1							
133	2	24356-190200	O-RING, 4D19020	1							
134	2	26776-140002	NUT, LOCK M14	1							
135	2	119934-59910	JOINT, PIPE	1							
136	1	129601-51250	RETAINER, FUEL PUMP	1							
137	1	26106-080162	BOLT, M8X 16 PLATED	1							
138	1	26106-080202	BOLT, M8X 20 PLATED	1							

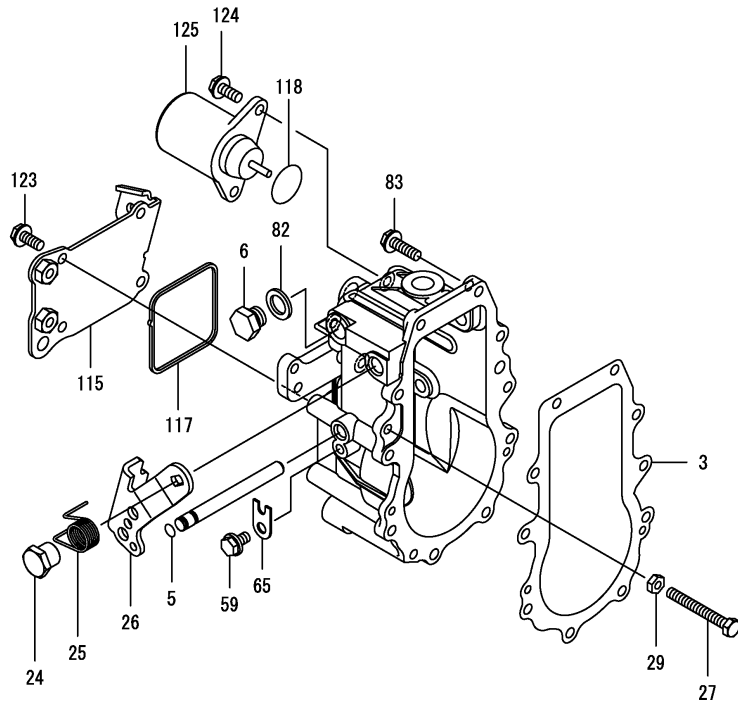
Remarks

(1)Governor(Fig.12) is incorporated in this Fuel Injection Pump(No.1).

Fig.12. GOVERNOR

(A)=4TNV88-BDPP
(B)=
(C)=

(D)=
(E)=
(F)=



No.	Lev.	Parts No.	Description	Q'ty						I	R
				(A)	(B)	(C)	(D)	(E)	(F)		
3	2	158553-61050	GASKET, CASE	1							
5	2	129155-51280	O-RING, S6	1							
6	2	158553-51930	PLUG, M12	1							
24	2	129255-61410	NUT, CONTROL LEVER	1							
25	2	119807-61420	SPRING, RETURN	1							
26	2	158552-61441	LEVER, REGULATOR	1							
27	2	129155-61461	BOLT, IDLE LIMIT	1							
29	2	119740-61470	NUT	1							
59	2	26106-060102	BOLT, M6X 10 PLATED	1							
65	2	119660-61901	STOPPER, SHAFT	1							
82	2	22190-120002	WASHER, SEAL 12	1							
83	2	26106-060202	BOLT, M6X 20 PLATED	10							
115	2	158552-61061	COVER, GOVERNOR CASE	1							
117	2	158553-61070	GASKET, CASE	1							
118	2	158552-61900	O-RING	1							
123	2	26106-060122	BOLT, M6X 12 PLATED	4							
124	2	26106-060122	BOLT, M6X 12 PLATED	2							
125	2	119653-77950	SOLENOID, STOP	1							

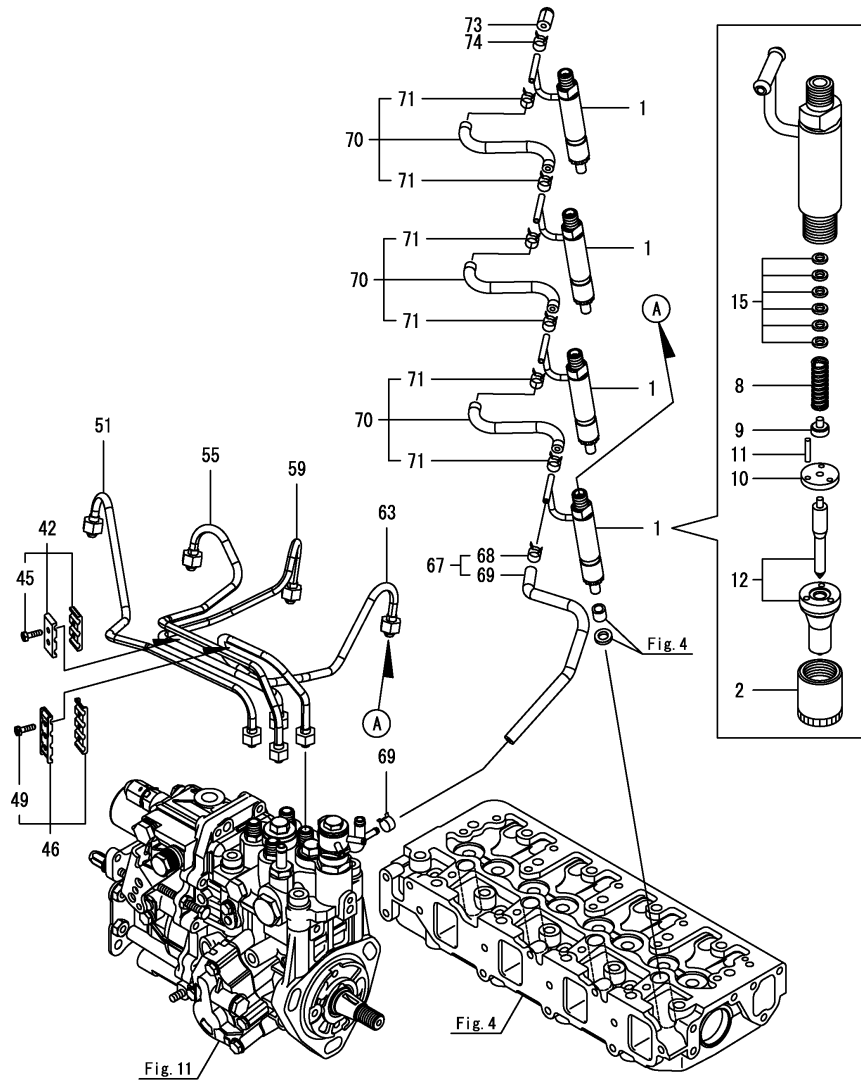
Remarks

* This figure(Governor) is incorporated in the Fuel Injection Pump(Fig.11).

Fig.13. FUEL INJECTION VALVE

(A)=4TNV88-BDPP
(B)=
(C)=

(D)=
(E)=
(F)=



No.	Lev.	Parts No.	Description	Q'ty						I	R
				(A)	(B)	(C)	(D)	(E)	(F)		
1	1	729604-53400	VALVE ASSY,INJECTION	4							
2	2	114250-53080	NUT, NOZZLE	4							
8	2	114250-53120	SPRING, NOZZLE	4							
9	2	114250-53130	SEAT, SPRING	4							
10	2	114250-53140	SPACER, VALVE STOP	4							
11	2	114250-53210	PIN, POSITIONING	8							
12	2	129604-53300	NOZZLE ASSY	4							
15	2	119803-53400	SHIM SET	4							1
42	1	129150-59120	RETAINER, PIPE	1							
45	2	129150-59131	BOLT, M4X14	2							
46	1	129550-59120	RETAINER, PIPE	1							
49	2	129150-59131	BOLT, M4X14	3							
51	1	129601-59810	PIPE ASSY, INJECTION	1							
55	1	129601-59820	PIPE ASSY, INJECTION	1							
59	1	129601-59830	PIPE ASSY, INJECTION	1							
63	1	129601-59840	PIPE ASSY, INJECTION	1							
67	1	119802-59550	HOSE ASSY, RETURN	1							
68	2	124722-59050	CLAMP, HOSE 9	2							
69	2	119802-59560	HOSE, FUEL RETURN	1							
70	1	129486-59551	HOSE ASSY, RETURN	3							
71	2	124722-59050	CLAMP, HOSE 9	6							
73	1	119593-59581	CAP, RETURN PIPE	1							
74	1	124060-77680	CLAMP, HOSE 10	1							

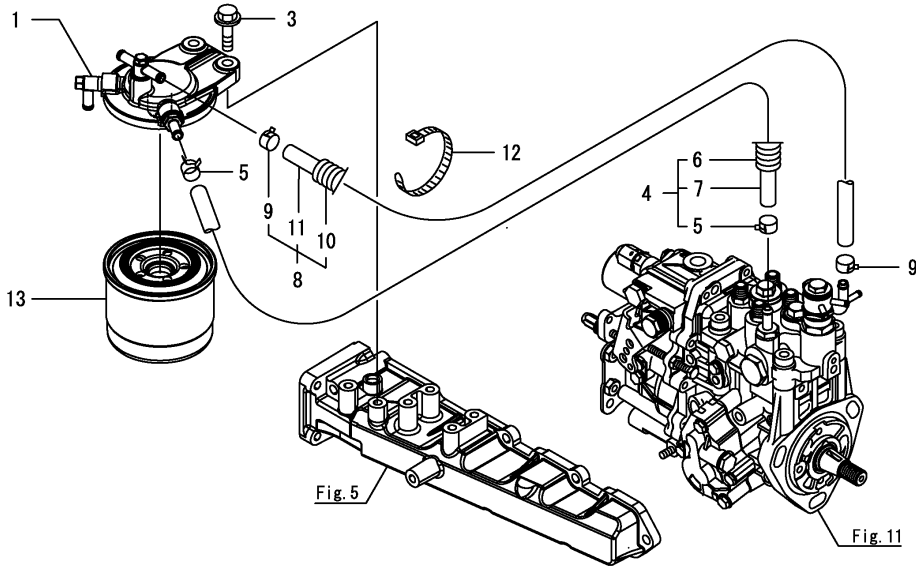
Remarks

(1)Spare parts.

Fig.14. FUEL PIPE

(A)=4TNV88-BDPP
(B)=
(C)=

(D)=
(E)=
(F)=



No.	Lev.	Parts No.	Description	Q'ty						I	R
				(A)	(B)	(C)	(D)	(E)	(F)		
1	1	129004-55612	BRACKET, FILTER	1							
3	1	26106-080302	BOLT, M8X 30 PLATED	2							
4	1	119546-59211	PIPE ASSY, FUEL	1							
5	2	114270-59010	CLAMP, HOSE 12	2							
6	2	129961-59110	TUBE, CORRUGATED 15	1							
7	2	119546-59511	PIPE, FUEL	1							
8	1	119546-59221	PIPE ASSY, FUEL	1							
9	2	114270-59010	CLAMP, HOSE 12	2							
10	2	129957-59101	TUBE, CORRUGATED 15	1							
11	2	119546-59521	PIPE, FUEL	1							
12	1	121750-59890	BAND, NYLON	1							
13	1	119802-55801	FILTER, FUEL	1							

Fig.15. STARTER MOTOR

(A)=4TNV88-BDPP

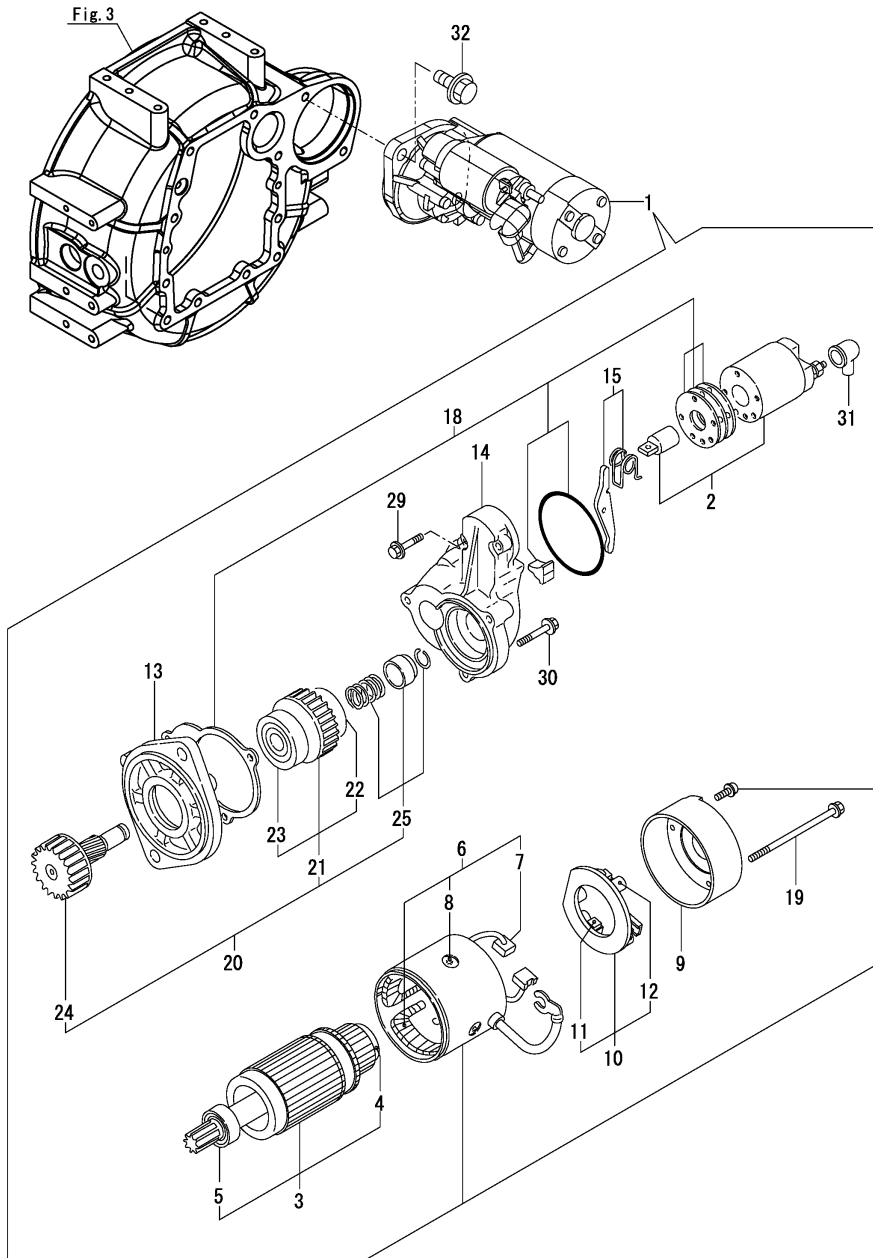
(B)=

(C)=

(D)=

(E)=

(F)=



No.	Lev.	Parts No.	Description	Q'ty						I	R
				(A)	(B)	(C)	(D)	(E)	(F)		
1	1	129136-77011	STARTER	1							
2	2	129136-77310	SWITCH ASSY, MAGNET	1							
3	2	129900-77400	ARMATURE ASSY	1							
4	3	X2130350900	BEARING, BALL	1							
5	3	X2114255110	BEARING, BALL	1							
6	2	129900-77440	COIL ASSY, FIELD	1							
7	3	129900-77450	BRUSH, +	2							
8	3	171008-77450	SCREW, CORE SET	4							
9	2	129900-77460	COVER, REAR	1							
10	2	129900-77480	HOLDER ASSY, BRUSH	1							
11	3	129900-77450	BRUSH, +	2							
12	3	129400-77490	SPRING, BRUSH	4							
13	2	171008-77510	CASE, GEAR	1							
14	2	129136-77520	HOUSING, STARTOR	1							
15	2	171008-77540	LEVER SET, SHIFT	1							
18	2	129400-77571	COVER KIT, DUST	1							
19	2	129900-77640	BOLT, THROUGH	2							
20	2	171008-77650	PINION ASSY,W/CLUTCH	1							
21	3	X2114555500	CLUTCH ASSY	1							
22	4	X2114955020	BEARING, BALL	1							
23	4	X2240410100	BEARING, BALL	1							
24	3	171008-77660	SHAFT, PINION	1							
25	3	171008-77670	STOPPER SET, PINION	1							
29	2	26106-060322	BOLT, M6X 32 PLATED	2							
30	2	26106-060402	BOLT, M6X 40 PLATED	3							
31	2	171008-77750	COVER, TERMINAL	1							
32	1	26106-120252	BOLT, M12X 25 PLATED	2							

Fig.16. GENERATOR

(A)=4TNV88-BDPP

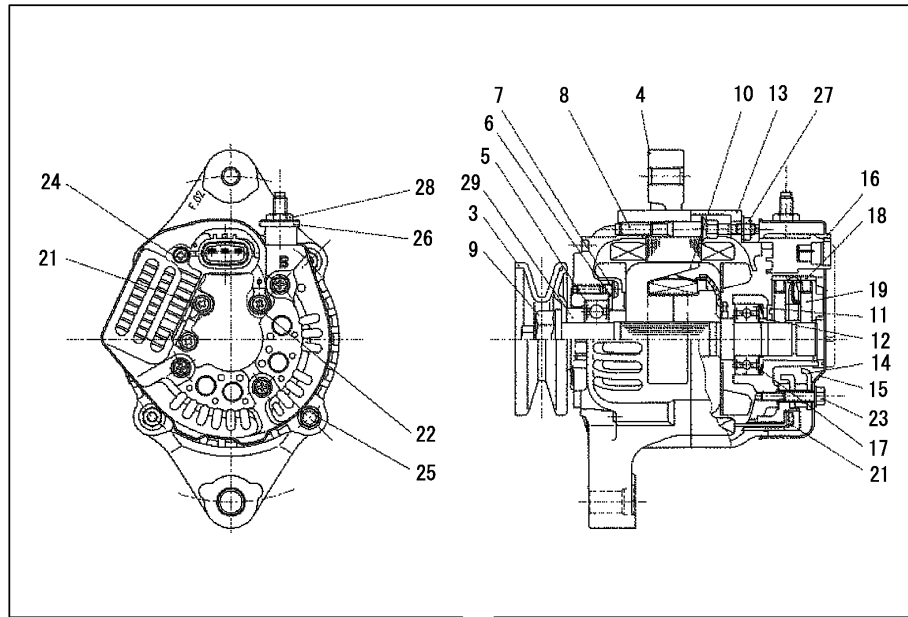
(B)=

(C)=

(D)=

(E)=

(F)=



No.	Lev.	Parts No.	Description	Q'ty						I	R
				(A)	(B)	(C)	(D)	(E)	(F)		
1	1	129795-01900	BOLT, M10X33	1							
2	1	129423-77220	ALTERNATOR, 12V-40A	1							
3	2	119254-77500	PULLEY, GENERATOR	1							
4	2	129423-77500	FRAME ASSY, DRIVE	1							
5	3	119254-77530	BEARING, BALL	1							
6	3	119254-77540	PLATE, RETAINER	1							
7	3	119254-77550	SCREW	4							
8	3	119254-77560	STUD	2							
9	2	119254-77510	NUT	1							
10	2	129423-77510	ROTOR ASSY	1							
11	3	119254-77580	BEARING, BALL	1							
12	3	119254-77590	COVER, BEARING	1							
13	2	129423-77520	FRAME, END RR	1							
14	2	129423-77530	HOLDER ASSY, RECTIFI	1							
15	2	129423-77560	COVER, END RR	1							
16	2	119626-77570	REGULATOR ASSY	1							
17	2	129423-77570	WASHER	1							
18	2	119254-77620	HOLDER ASSY, BRUSH	1							
19	3	129423-77540	BRUSH ASSY, SUB	2							
21	2	119254-77640	SCREW	6							
22	2	119254-77650	SCREW	1							
23	2	119254-77660	BOLT	3							
24	2	119254-77670	SCREW, W/WASHER	2							
25	2	119254-77680	BOLT	2							
26	2	119254-77700	BUSH, INSULATION	1							
27	2	119254-77710	NUT	2							
28	2	119254-77720	NUT	1							
29	2	119254-77730	COLLAR	1							
30	1	26306-100002	NUT, M10	1							
31	1	119940-77270	SPACER, GENERATOR	1							
32	1	119940-77330	ADJUSTER, BELT	1							
33	1	129972-77341	BOLT, ADJUSTER L=50	1							
34	1	26106-080452	BOLT, M8X 45 PLATED	1							

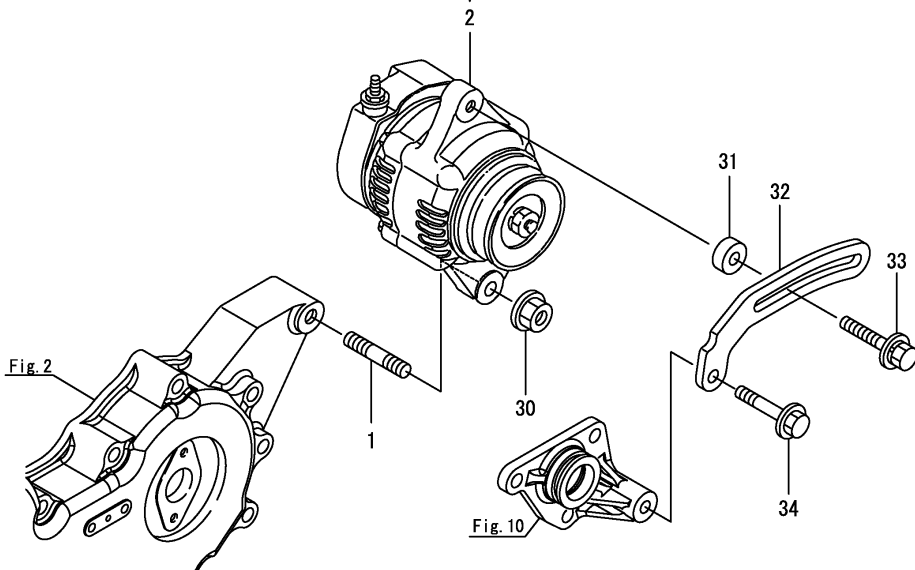
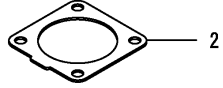
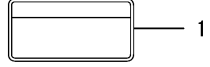


Fig.17. ACCESSORY

(A)=4TNV88-BDPP
(B)=
(C)=

(D)=
(E)=
(F)=

No.	Lev.	Parts No.	Description	Q'ty						I	R
				(A)	(B)	(C)	(D)	(E)	(F)		
1	1	114110-07761	LABEL, FUEL CAUTION	1							
2	1	129930-13201	GASKET, SILENCER	1							



Parts No. Index

Parts No.	Fig. No.	Ref. No.
114110-07761	17	1
114250-39450	9	40
114250-53080	13	2
114250-53120	13	8
114250-53130	13	9
114250-53140	13	10
114250-53210	13	11
114270-59010	14	5
		9
119131-18320	6	5
119254-77500	16	3
119254-77510	16	9
119254-77530	16	5
119254-77540	16	6
119254-77550	16	7
119254-77560	16	8
119254-77580	16	11
119254-77590	16	12
119254-77620	16	18
119254-77640	16	21
119254-77650	16	22
119254-77660	16	23
119254-77670	16	24
119254-77680	16	25
119254-77700	16	26
119254-77710	16	27
119254-77720	16	28
119254-77730	16	29
119546-59211	14	4
119546-59221	14	8
119546-59511	14	7
119546-59521	14	11
119593-59581	13	73
119609-32040	2	9
119620-01750	3	5
119625-11880	4	31
119626-77570	16	16
119640-01640	3	10
119653-77950	12	125
119660-61901	12	65
119740-61470	12	29
119802-01561	2	5
119802-03070	4	41
119802-03110	4	43
119802-03121	4	44
119802-03130	4	45
119802-03141	4	46
119802-11260	4	5
119802-11270	4	6
119802-11870	4	30

Parts No.	Fig. No.	Ref. No.
119802-21650	8	8
119802-25071	7	16
119802-25101	7	10
119802-25901	7	15
119802-39450	9	42
119802-49113	10	10
119802-49730	10	38
119802-51090	11	14
119802-51560	11	126
119802-51590	11	61
119802-51600	11	62
119802-51680	11	66
119802-51690	11	67
119802-55801	14	13
119802-59550	13	67
119802-59560	13	69
119803-01520	2	4
119803-21200	8	4
119803-25050	7	9
119803-53400	13	15
119807-61420	12	25
119865-21600	8	14
119888-01601	3	2
119888-01850	3	4
119934-01800	2	3
119934-59910	11	135
119940-59130	9	36
119940-77270	16	31
119940-77330	16	32
120130-11860	4	60
120270-54410	4	33
121023-01551	2	19
121111-21501	8	11
121250-44901	10	33
121400-11340	4	26
121450-42450	10	32
121520-34810	9	16
121550-23200	8	29
121750-59890	14	12
121850-21680	8	10
121850-51960	2	10
123900-13610	6	3
124060-01050	1	4
124060-77680	13	74
124085-35350	9	50
124101-49531	10	28
124160-01751	2	6
	4	38
124160-01910	1	6
		7

Parts No.	Fig. No.	Ref. No.
124160-11360	4	52
124160-39140	9	41
124240-01871	2	7
124395-49840	10	18
124460-11340	4	27
124465-44950	10	34
		35
124722-59050	10	39
		42
	13	68
		71
129001-01250	1	5
129001-02931	1	29
129004-03010	4	40
129004-11650	4	8
129004-11900	4	32
129004-34802	9	15
129004-42002	10	1
129004-42040	10	16
129004-49610	10	36
129004-49620	10	40
129004-49711	10	37
129004-49721	10	41
129004-55612	14	1
129005-11100	4	22
129005-22080	8	15
129005-22500	8	17
129005-22900	8	35
129005-22950	8	37
129005-59830	9	43
129006-35100	9	23
129006-44480	9	28
129008-51390	11	40
129008-51900	11	12
129008-51920	11	13
129008-77810	4	58
129100-01580	3	1
		17
	8	2
129100-11112	4	23
129100-23910	8	32
129100-42051	10	4
129103-49301	9	38
129136-77011	15	1
129136-77310	15	2
129136-77520	15	14
129150-01200	1	27
129150-02020	1	9
129150-02450	7	4
129150-02871	1	32

Parts No.	Fig. No.	Ref. No.
129150-02931	1	24
129150-02941	1	35
129150-03070	4	42
129150-11230	4	9
129150-11280	4	7
129150-11370	4	13
129150-11750	4	11
129150-11810	4	61
129150-14101	7	6
129150-14200	7	1
129150-14400	7	2
129150-23601	8	30
129150-23611	8	33
129150-25301	7	14
129150-32020	9	13
129150-35042	9	17
129150-35111	9	27
129150-35153	9	52
129150-49811	10	27
129150-59120	13	42
129150-59131	13	45
		49
129150-77511	5	8
129155-49801	10	26
129155-51280	12	5
129155-61461	12	27
129202-22300	8	23
129255-61410	12	24
129400-01730	3	8
129400-13101	6	1
129400-77490	15	12
129400-77571	15	18
129403-42380	10	24
129407-01340	1	28
129407-12110	5	4
129407-32001	9	1
129410-03990	5	2
129417-35150	9	25
129423-77220	16	2
129423-77500	16	4
129423-77510	16	10
129423-77520	16	13
129423-77530	16	14
129423-77540	16	19
129423-77560	16	15
129423-77570	16	17
129436-35070	9	18
129486-01670	3	21
129486-12581	5	7
129486-42021	10	15

Parts No. Index

Parts No.	Fig. No.	Ref. No.
129486-42140	10	17
129486-59551	13	70
129488-21590	8	12
129508-33031	9	20
129508-33060	9	21
129508-35100	9	22
129508-35150	9	26
129508-49030	9	29
129508-49040	9	33
129550-13110	6	2
129550-59120	13	46
129601-03080	5	1
129601-11241	4	1
129601-11251	4	2
129601-11310	4	48
129601-11350	4	39
129601-12100	5	3
129601-51250	11	136
129601-59810	13	51
129601-59820	13	55
129601-59830	13	59
129601-59840	13	63
129604-21000	8	1
129604-53300	13	12
129604-77821	4	59
129648-01600	3	18
129648-01780	3	20
129688-01780	3	9
129688-11700	4	14
129795-01900	16	1
129795-01950	2	8
129795-02412	1	12
129795-11120	4	24
129795-11180	4	25
129795-21661	8	9
129795-49551	10	29
129900-07900	4	55
129900-07920	4	56
129900-77400	15	3
129900-77440	15	6
129900-77450	15	7
		11
129900-77460	15	9
129900-77480	15	10
129900-77640	15	19
129930-13201	17	2
129957-59101	14	10
129961-59110	14	6
129972-77341	16	33
129E00-13640	6	4

Parts No.	Fig. No.	Ref. No.
158552-51151	7	17
158552-51571	11	57
		127
158552-51580	11	60
158552-51600	11	70
158552-51670	11	121
158552-51781	11	96
158552-52100	11	117
158552-52311	11	104
158552-52400	11	105
158552-52500	11	118
158552-61061	12	115
158552-61441	12	26
158552-61900	12	118
158553-51551	11	115
158553-51630	11	71
158553-51650	11	72
158553-51660	11	73
158553-51670	11	65
158553-51680	11	74
158553-51930	11	98
	12	6
158553-61050	12	3
158553-61070	12	117
158557-51570	11	58
158563-51281	11	39
		124
158563-51330	11	49
158600-51270	11	38
158601-51550	11	125
158601-51570	11	59
158601-51650	11	129
158601-51770	11	95
158601-51790	11	97
171008-03990	9	30
		34
171008-77450	15	8
171008-77510	15	13
171008-77540	15	15
171008-77650	15	20
171008-77660	15	24
171008-77670	15	25
171008-77750	15	31
171051-01921	1	8
171056-49120	9	49
22190-080002	2	11
	9	44
		46
22190-100002	9	47
22190-120002	11	99

Parts No.	Fig. No.	Ref. No.
22190-120002	11	120
		130
	12	82
22190-180002	11	100
		106
22190-220002	3	12
22217-140000	11	131
22252-000260	8	24
22312-050140	11	107
22351-030010	8	7
22351-050010	11	108
22351-060012	4	34
22512-070140	7	7
	8	5
22857-500100	4	49
		50
23080-015000	9	32
		37
23414-080000	10	19
23857-030000	9	45
24311-000070	11	110
24311-000120	4	53
24311-000320	2	12
	4	54
24341-000240	2	20
24356-190180	11	132
24356-190200	11	68
		133
24372-000150	11	69
25152-003800	10	25
26106-060102	11	111
	12	59
26106-060122	10	44
	12	123
		124
26106-060162	2	21
26106-060202	12	83
26106-060322	15	29
26106-060352	11	112
26106-060402	15	30
26106-080122	10	20
26106-080142	7	8
26106-080162	2	13
		14
	3	13
	4	57
	10	21
	11	137
26106-080202	5	5
		9

Parts No.	Fig. No.	Ref. No.
26106-080202	9	39
	11	138
26106-080252	3	14
	4	35
26106-080282	10	30
26106-080302	2	15
	14	3
26106-080352	3	22
	4	36
26106-080402	7	13
26106-080452	3	15
	10	22
	16	34
26106-080502	3	16
	4	37
26106-080552	2	16
	9	19
26106-080602	10	23
26106-080652	10	31
26106-080802	5	6
26106-080852	2	17
26106-120252	15	32
26206-100252	3	6
26206-100302	3	7
26226-080182	4	12
26306-080002	2	18
	6	6
26306-100002	16	30
26366-060002	9	48
26450-060252	9	14
26450-080452	11	114
26776-140002	11	134
27241-120000	1	13
27241-300000	1	14
27241-400000	4	21
27310-080001	4	28
719803-01500	2	1
729402-14580	7	3
729402-23100	8	25
729602-01560	1	1
729604-53400	13	1
729688-51320	11	1
X2114255110	15	5
X2114555500	15	21
X2114955020	15	22
X2130350900	15	4
X2240410100	15	23