

0CD50-M01370EN

Precautions

1. Some of the illustrations in this parts catalog are simplified.
2. Depending on the specifications of your product, the actual product and parts catalog may not match.
3. Please use genuine parts when repairing the product.
4. When ordering spare parts, please confirm the specifications (model name, serial number, part number, quantity, etc.) and confirm with your distributors or dealers.
5. Please refer to the user manual or service manual for information on how to replace parts, technical information, and other related details.
6. If you are using a booklet or PDF parts catalog, you must verify the latest information via the online parts catalog.

Disclaimer

1. Our company will not assume any responsibility for the matters stipulated in each of the following items.
 - 1) The contents provided in this parts catalog may not correspond with the latest products due to changes in regulations, product specifications, or other amendments.
 - 2) The illustrations of the products listed in this parts catalog (including 3D images) are for image purposes only and may differ from the actual product and specifications.
 - 3) This parts catalog does not guarantee conformity to the customer's requirements.
 - 4) In addition to the previous items, we do not guarantee the accuracy, completeness, assurance, applicability, usefulness, availability, safety or reliability of this parts catalog.
2. Our company assumes no responsibility whatsoever for any damage or disadvantage suffered by customers or others due to the addition, modification, suspension, cancellation, or discontinuation, etc., of the contents of this parts catalog. ("Damages" includes, but is not limited to, loss of opportunities for use of this parts catalog, as well as consequential damages, indirect damages, special damages, future damages and any loss of profits or any other disadvantages or damages.)
3. Customers are requested to use this parts catalog at their own risk. Our company assumes no responsibility whatsoever for any damages incurred by customers or other companies as a result of using or not using this parts catalog.
4. When using this parts catalog, you must comply with the laws and regulations applicable in the country or region in which you use it. Our company assumes no responsibility for any violations of laws and regulations by the customer.

P R E F A C E

This parts catalog is the 1st edition of 3TNV88-BDPP.

Published : June, 2015

Contents

OCD50-M01370

Fig. No. Fig. Name

3TNV88-BDPP

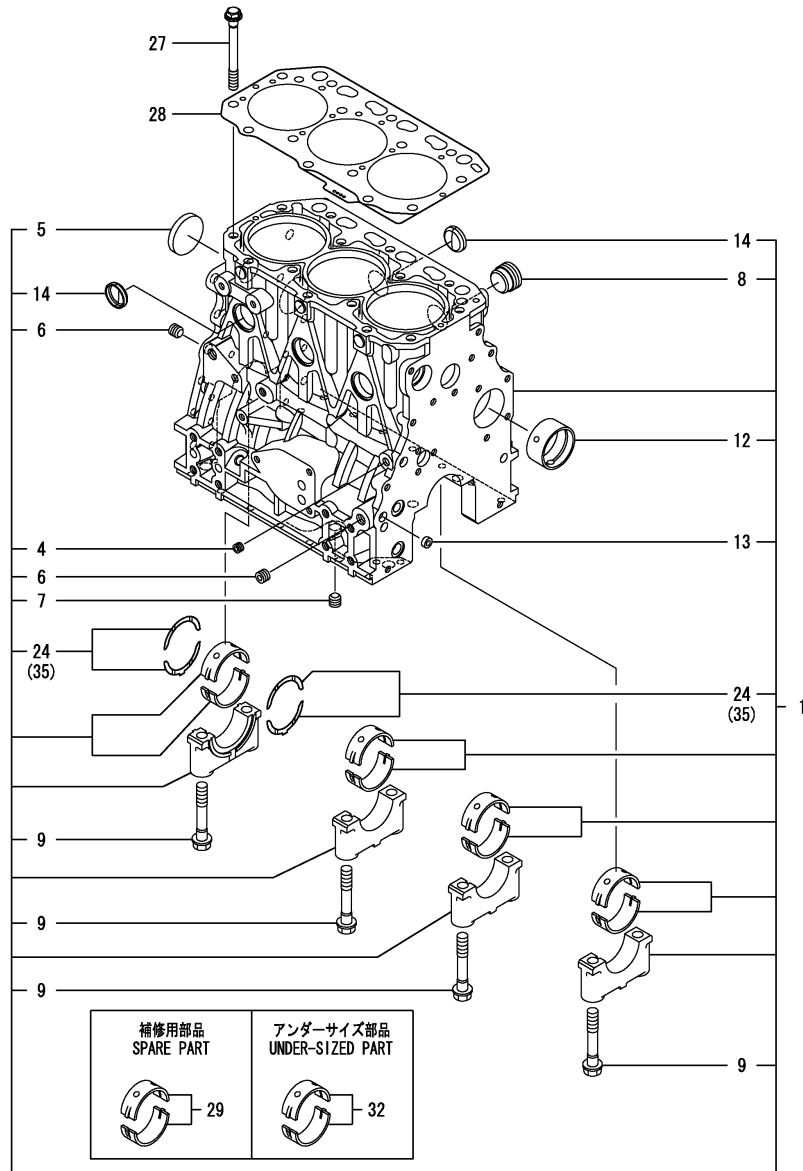
1. CYLINDER BLOCK
2. GEAR HOUSING
3. FLYWHEEL HOUSING & OIL SUMP
4. CYLINDER HEAD & BONNET
5. SUCTION MANIFOLD
6. EXHAUST MANIFOLD
7. CAMSHAFT & DRIVING GEAR
8. CRANKSHAFT & PISTON
9. LUB. OIL SYSTEM
10. COOLING WATER SYSTEM
11. FUEL INJECTION PUMP
12. GOVERNOR
13. FUEL INJECTION VALVE
14. FUEL PIPE
15. STARTER MOTOR
16. GENERATOR

Fig. No. Fig. Name

Fig.1. CYLINDER BLOCK

(A)=3TNV88-BDPP
(B)=
(C)=

(D)=
(E)=
(F)=



No.	Lev.	Parts No.	Description	Q'ty						I	R
				(A)	(B)	(C)	(D)	(E)	(F)		
1	1	729005-01560	BLOCK ASSY, CYLINDER	1							
4	2	124060-01050	PLUG, PT1/8	1							
5	2	129001-01250	PLUG, DISH TYPE 50	1							
6	2	124160-01910	PLUG, PT1/4	2							
7	2	124160-01910	PLUG, PT1/4	1							
8	2	171051-01921	PLUG, NPTF1	1							
9	2	129150-02020	BOLT, METAL CAP	8							
12	2	129795-02412	BUSH, CAMSHAFT	1							
13	2	27241-120000	PLUG, 12	2							
14	2	27241-300000	PLUG 30	6							
24	2	129150-02931	BEARING ASSY, THRUST	2							
27	1	129150-01200	BOLT, CYLINDER HEAD	14							
28	1	129001-01340	GASKET, HEAD	1							
29	1	129001-02931	BEARING ASSY, MAIN	4							1
32	1	129150-02871	BEARING ASSY, MAIN	4							2
35	1	129150-02941	BEARING, THRUST 0.25	1							3

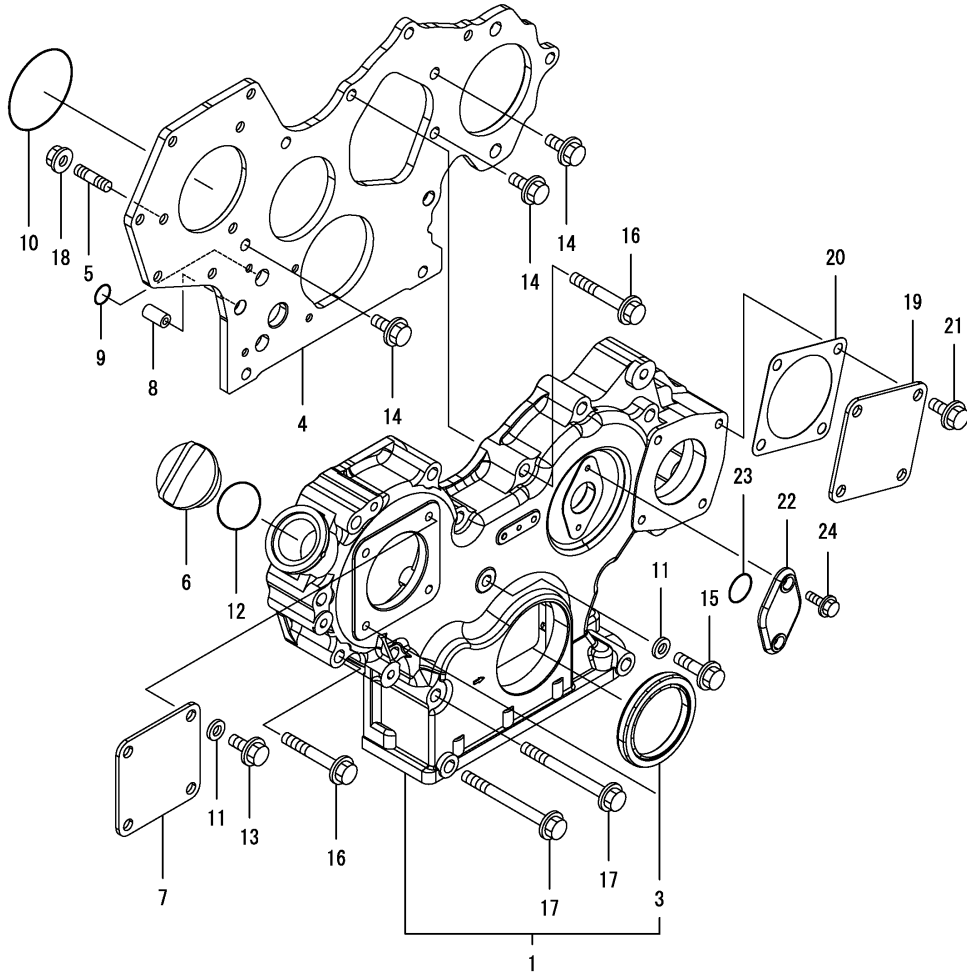
Remarks

- (1) Spare parts.
- (2) Under-sized (U.S.=0.25) parts.
- (3) Over-sized (O.S.=0.25) parts.

Fig.2. GEAR HOUSING

(A)=3TNV88-BDPP
(B)=
(C)=

(D)=
(E)=
(F)=



No.	Lev.	Parts No.	Description	Q'ty						I	R
				(A)	(B)	(C)	(D)	(E)	(F)		
1	1	729652-01500	CASE ASSY, GEAR	1							
3	2	119934-01800	SEAL, OIL	1							
4	1	129604-01520	FLANGE, GEAR CASE	1							
5	1	119802-01561	BOLT, STUD M8X25	3							
6	1	124160-01751	CAP, FILLER	1							
7	1	124240-01871	COVER, PUMP	1							
8	1	129795-01950	PIPE, DOWEL L=18	2							
9	1	119609-32040	O-RING, P16	2							
10	1	121850-51960	O-RING	1							
11	1	22190-080002	WASHER, SEAL 8	5							
12	1	24311-000320	O-RING, 1AP32.0	1							
13	1	26106-080162	BOLT, M8X 16 PLATED	4							
14	1	26106-080162	BOLT, M8X 16 PLATED	3							
15	1	26106-080302	BOLT, M8X 30 PLATED	1							
16	1	26106-080552	BOLT, M8X 55 PLATED	10							
17	1	26106-080852	BOLT, M8X 85 PLATED	3							
18	1	26306-080002	NUT, M8	3							
19	1	124240-01871	COVER, PUMP	1							
20	1	129C26-01890	GASKET, HO-P	1							
21	1	26106-080162	BOLT, M8X 16 PLATED	4							
22	1	121023-01551	COVER	1							
23	1	24341-000240	O-RING, 1AS24.0	1							
24	1	26106-060162	BOLT, M6X 16 PLATED	2							

Fig.3. FLYWHEEL HOUSING & OIL SUMP

(A)=3TNV88-BDPP

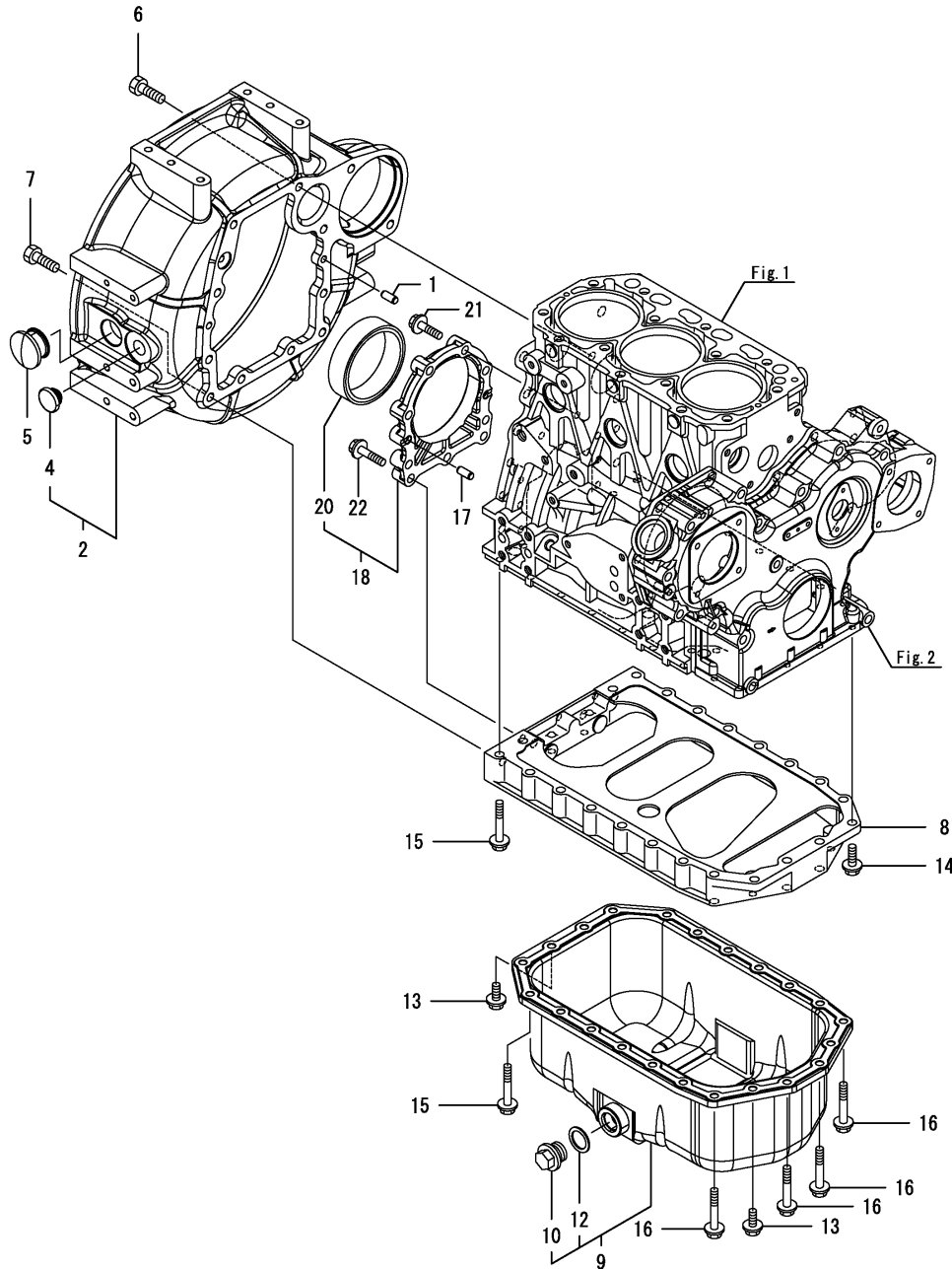
(B)=

(C)=

(D)=

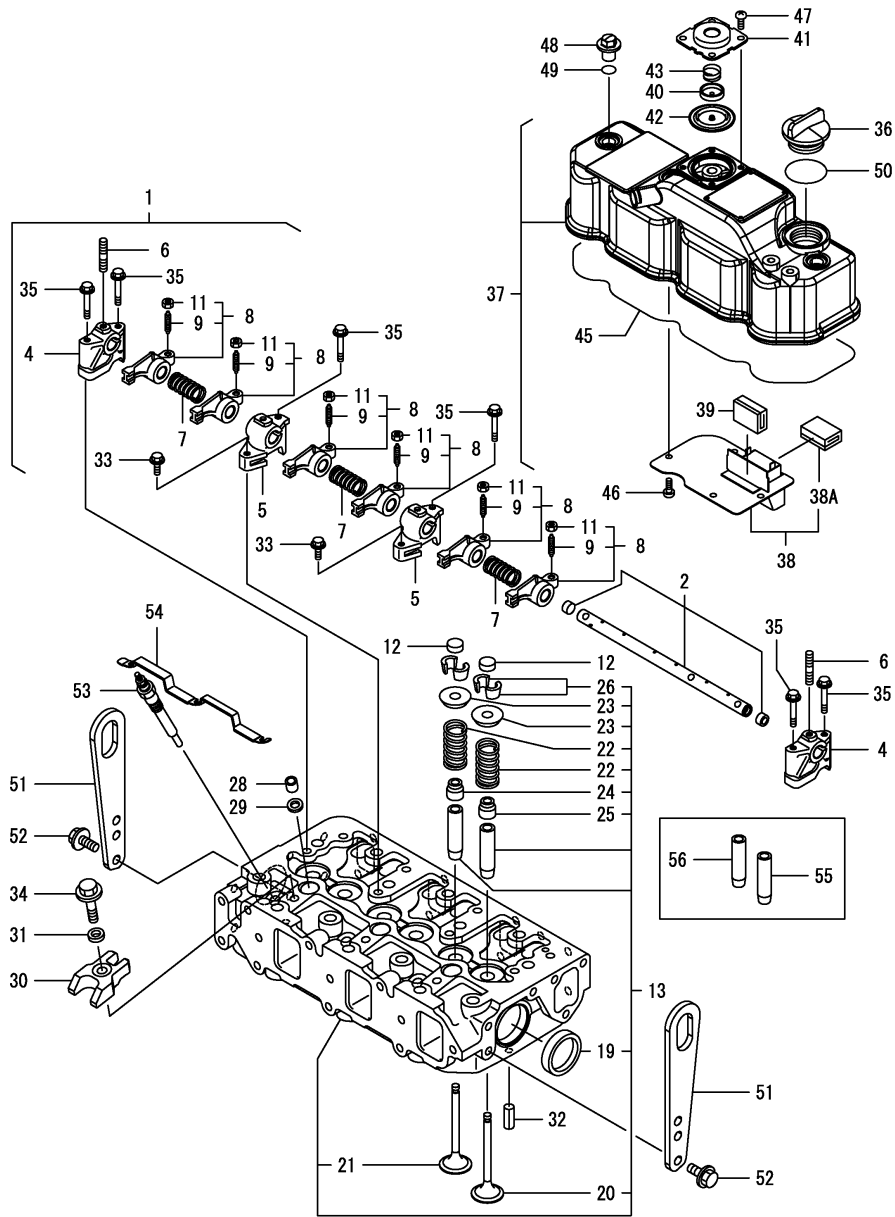
(E)=

(F)=



No.	Lev.	Parts No.	Description	Q'ty						I	R
				(A)	(B)	(C)	(D)	(E)	(F)		
1	1	129100-01580	PIN, PARALLEL 8X16	2							
2	1	119888-01601	HOUSING, FLYWHEEL	1							
4	2	119888-01850	PLUG, RUBBER	1							
5	1	119620-01750	CAP	1							
6	1	26206-100252	BOLT, M10X 25 PLATED	6							
7	1	26206-100302	BOLT, M10X 30 PLATED	4							
8	1	129100-01730	SPACER, OIL-PAN	1							
9	1	129100-01760	OIL PAN ASSY	1							
10	2	119640-01640	PLUG, DRAIN M22	1							
12	2	22190-220002	WASHER, SEAL 22	1							
13	1	26106-080162	BOLT, M8X 16 PLATED	4							
14	1	26106-080252	BOLT, M8X 25 PLATED	2							
15	1	26106-080452	BOLT, M8X 45 PLATED	16							
16	1	26106-080502	BOLT, M8X 50 PLATED	4							
17	1	129100-01580	PIN, PARALLEL 8X16	2							
18	1	129100-01640	CASE ASSY, OIL SEAL	1							
20	2	129795-01780	SEAL, OIL	1							
21	1	129486-01670	BOLT, M8X30	6							
22	1	26106-080352	BOLT, M8X 35 PLATED	3							

Fig.4. CYLINDER HEAD & BONNET



(A)=3TNV88-BDPP

(B)=

(C)=

(D)=

(E)=

(F)=

No.	Lev.	Parts No.	Description	Q'ty						I	R
				(A)	(B)	(C)	(D)	(E)	(F)		
1	1	129004-11241	SHAFT ASSY, ROCKER	1							
2	2	129004-11251	SHAFT, ROCKER ARM	1							
4	2	119802-11260	SUPPORT, ROCKER ARM	2							
5	2	119802-11270	SUPPORT, ROCKER ARM	2							
6	2	26226-080182	STUD, M8X 18	3							
7	2	129150-11280	SPRING, SHAFT	3							
8	2	129004-11650	ARM ASSY, ROCKER	6							
9	3	129150-11230	SCREW, VALVE ADJUST	6							
11	3	129150-11750	NUT, M8XP1.0	6							
12	1	129150-11370	CAP, VALVE	6							
13	1	129008-11710	HEAD ASSY, CYLINDER	1							
19	2	27241-400000	PLUG, 40	2							
20	2	129005-11100	VALVE, INTAKE	3							
21	2	129100-11112	VALVE, EXHAUST	3							
22	2	129795-11120	SPRING, VALVE	6							
23	2	129795-11180	RETAINER, SPRING	6							
24	2	121400-11340	SEAL, VALVE STEM	3							
25	2	124460-11340	SEAL, VALVE STEM	3							
26	2	27310-080001	COTTER, 8	6							
28	1	119802-11870	PROTECTOR, NOZZLE	3							
29	1	119625-11880	SEAT, NOZZLE	3							
30	1	129004-11900	RETAINER, NOZZLE	3							
31	1	120270-54410	WASHER, INJECTOR	3							
32	1	22351-060012	PIN, SPRING 6.0X12	2							
33	1	26106-080252	BOLT, M8X 25 PLATED	2							
34	1	26106-080352	BOLT, M8X 35 PLATED	3							
35	1	26106-080502	BOLT, M8X 50 PLATED	6							
36	1	124160-01751	CAP, FILLER	1							
37	1	129004-11350	BONNET ASSY, HEAD	1							
38	2	129004-03010	PLATE, BAFFLE	1							
38A	3	119802-03070	BAFFLE, BREATHER	1							
39	2	129150-03070	BAFFLE, BREATHER	1							
40	2	119802-03110	PLATE, DIAPHRAGM	1							
41	2	119802-03121	COVER, DIAPHRAGM	1							
42	2	119802-03130	DIAPHRAGM, BREATHER	1							
43	2	119802-03141	SPRING, DIAPHRAGM	1							
45	2	129004-11310	GASKET, BONNET	1							
46	2	22857-500100	SCREW, 5X10	4							
47	2	22857-500100	SCREW, 5X10	4							
48	1	124160-11360	KNOB, BONNET	3							
49	1	24311-000120	O-RING, 1AP12.0	3							
50	1	24311-000320	O-RING, 1AP32.0	1							
51	1	129900-07900	LIFTER, ENGINE	2							
52	1	26106-080162	BOLT, M8X 16 PLATED	4							
53	1	129008-77800	PLUG, GLOW	3							
54	1	129008-77820	CONNECTOR, GLOW PLUG	1							
55	1	120130-11860	GUIDE, VALVE	3							1
56	1	129150-11810	GUIDE, VALVE	3							1

Remarks

(1)Spare parts.

N:Old $\begin{matrix} \leftarrow \text{Yes} \\ \text{No} \end{matrix}$ New, Q:Old $\begin{matrix} \leftarrow \text{No} \\ \text{Yes} \end{matrix}$ New, R:Old $\begin{matrix} \leftarrow \text{Yes} \\ \text{Yes} \end{matrix}$ New, S:Old $\begin{matrix} \leftarrow \text{No} \\ \text{No} \end{matrix}$ New, W:Add, Z:Discontinued, F:Interchangeable by set, K:Q'ty Change

Fig.5. SUCTION MANIFOLD

(A)=3TNV88-BDPP
(B)=
(C)=

(D)=
(E)=
(F)=

No.	Lev.	Parts No.	Description	Q'ty						I	R
				(A)	(B)	(C)	(D)	(E)	(F)		
1	1	129004-03080	HOSE ASSY, BREATHER	1							
2	2	129410-03990	CLAMP, HOSE 21.5	2							
3	1	129004-12101	MANIFOLD, AIR INTAKE	1							
4	1	129001-12110	GASKET, MANIFOLD	1							
5	1	26106-080202	BOLT, M8X 20 PLATED	4							
6	1	26106-080802	BOLT, M8X 80 PLATED	1							
7	1	129486-12581	JOINT, MANIFOLD	1							
8	1	129150-77511	GASKET, AIR HEATER	1							
9	1	26106-080202	BOLT, M8X 20 PLATED	4							

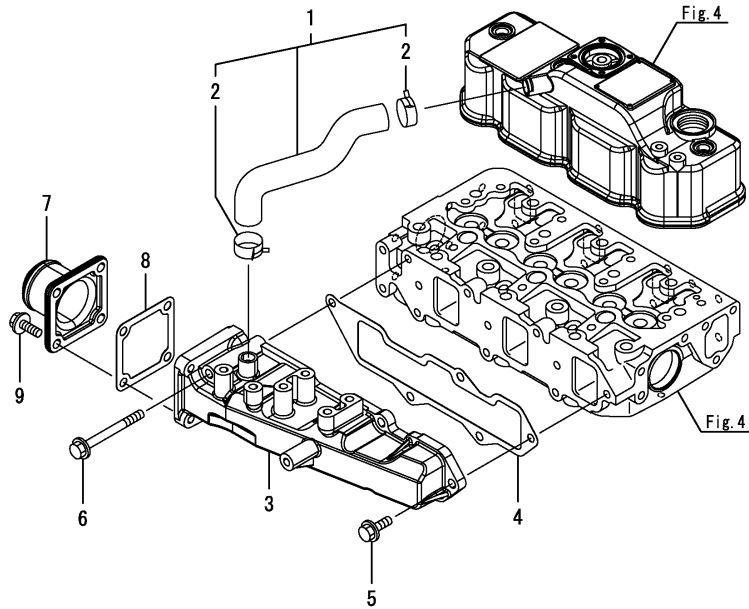


Fig.6. EXHAUST MANIFOLD

(A)=3TNV88-BDPP
(B)=
(C)=

(D)=
(E)=
(F)=

No.	Lev.	Parts No.	Description	Q'ty						I	R
				(A)	(B)	(C)	(D)	(E)	(F)		
1	1	129100-13110	MANIFOLD, EXHAUST	1							
2	1	129150-13110	GASKET, EXH.MANIFOLD	1							
3	1	123900-13610	BOLT, STUD M8X80	2							
4	1	129E00-13640	BOLT, M8X80 10.9T	4							
5	1	119131-18320	BOLT, STUD M8X22	4							
6	1	26306-080002	NUT, M8	2							
7	1	129004-13200	GASKET, SILENCER	1							

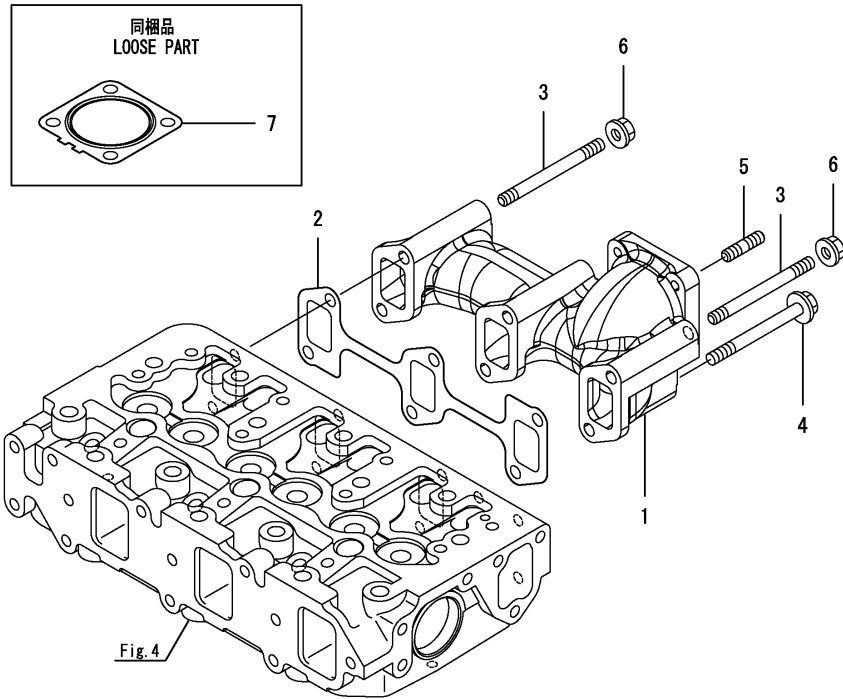


Fig. 4

Fig.7. CAMSHAFT & DRIVING GEAR

(A)=3TNV88-BDPP

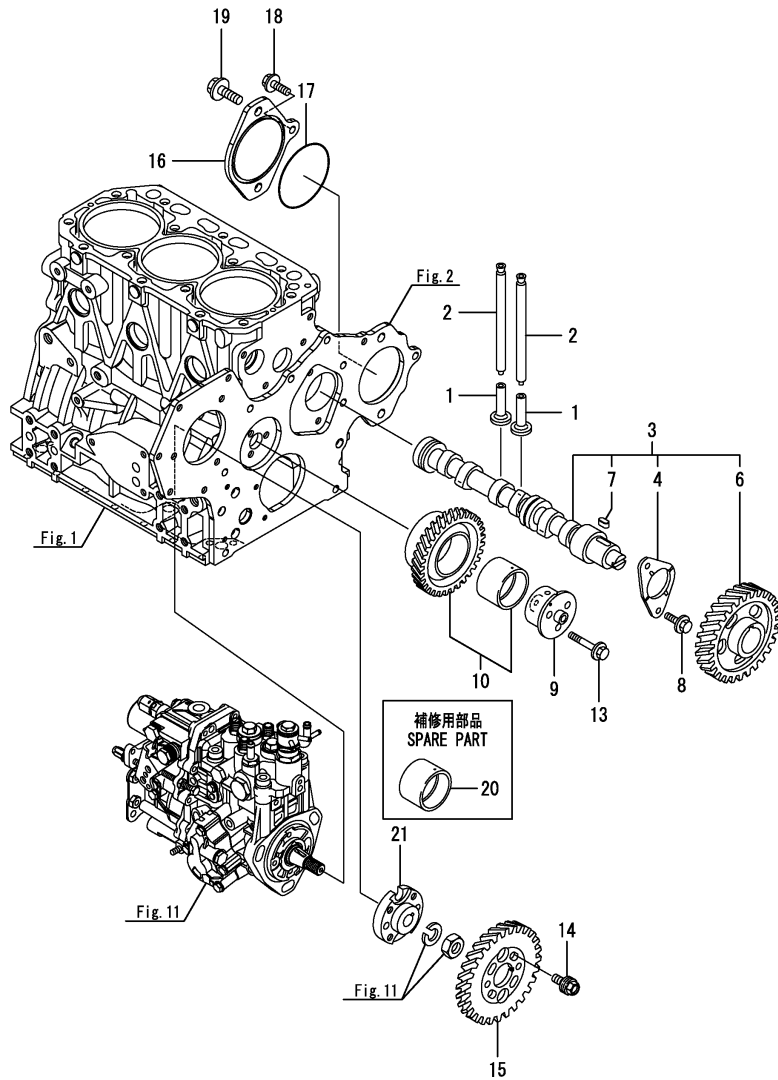
(B)=

(C)=

(D)=

(E)=

(F)=

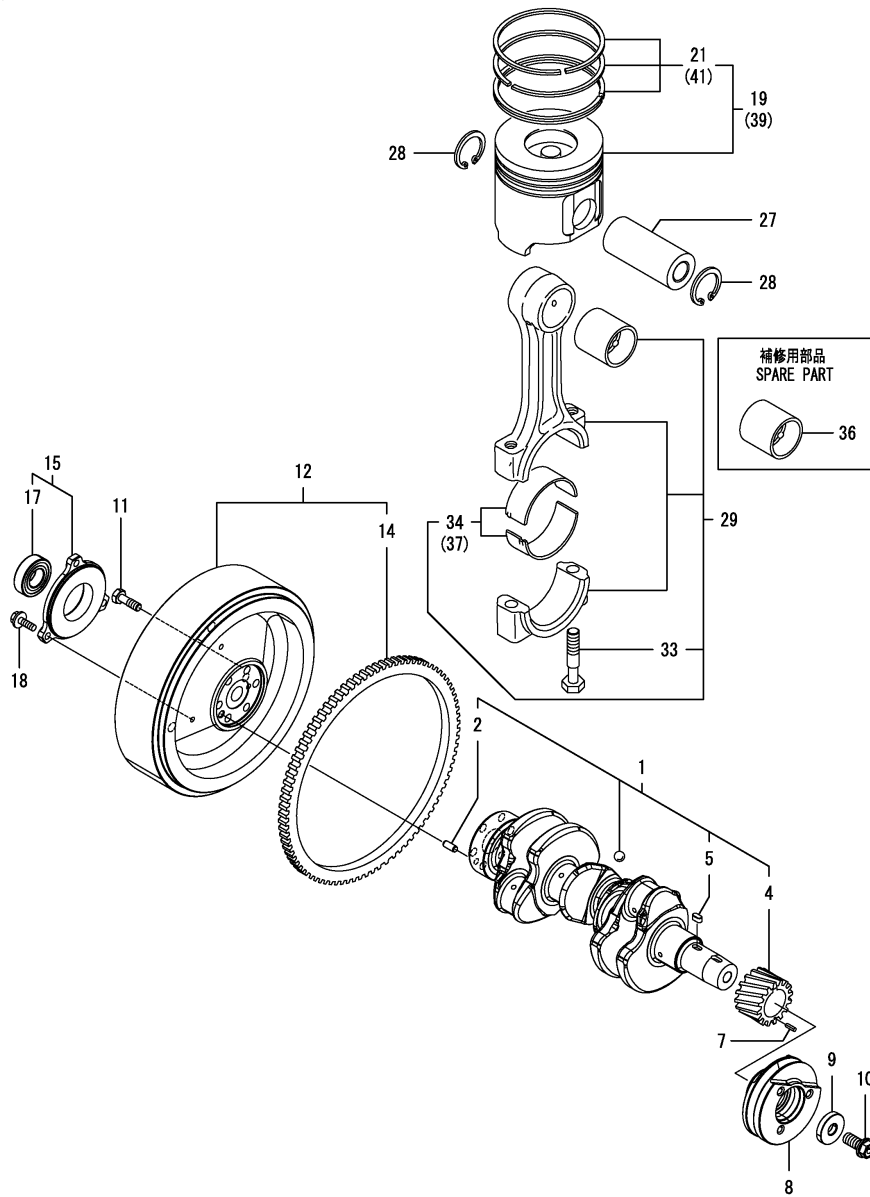


No.	Lev.	Parts No.	Description	Q'ty						I	R
				(A)	(B)	(C)	(D)	(E)	(F)		
1	1	129150-14200	TAPPET	6							
2	1	129150-14400	PUSH-ROD, L=178	6							
3	1	129129-14580	CAMSHAFT ASSY	1							
4	2	129150-02450	BEARING, THRUST	1							
6	2	129150-14101	GEAR, CAMSHAFT	1							
7	2	22512-070140	KEY, 7X 14	1							
8	1	26106-080142	BOLT, M8X 14 PLATED	2							
9	1	119803-25050	SHAFT, IDLE	1							
10	1	119802-25101	GEAR ASSY, IDLE	1							
13	1	26106-080402	BOLT, M8X 40 PLATED	3							
14	1	129150-25301	BOLT	4							
15	1	119802-25901	GEAR, PUMP	1							
16	1	129430-26071	COVER	1							
17	1	24321-000800	O-RING, 1AG80.0	1							
18	1	26106-080252	BOLT, M8X 25 PLATED	1							
19	1	26106-100302	BOLT, M10X 30 PLATED	2							
20	1	119802-25071	BUSH, IDLE GEAR	1							1
21	1	158552-51151	FLANGE	1							

Remarks

(1) Spare parts.

Fig.8. CRANKSHAFT & PISTON



(A)=3TNV88-BDPP
(B)=
(C)=

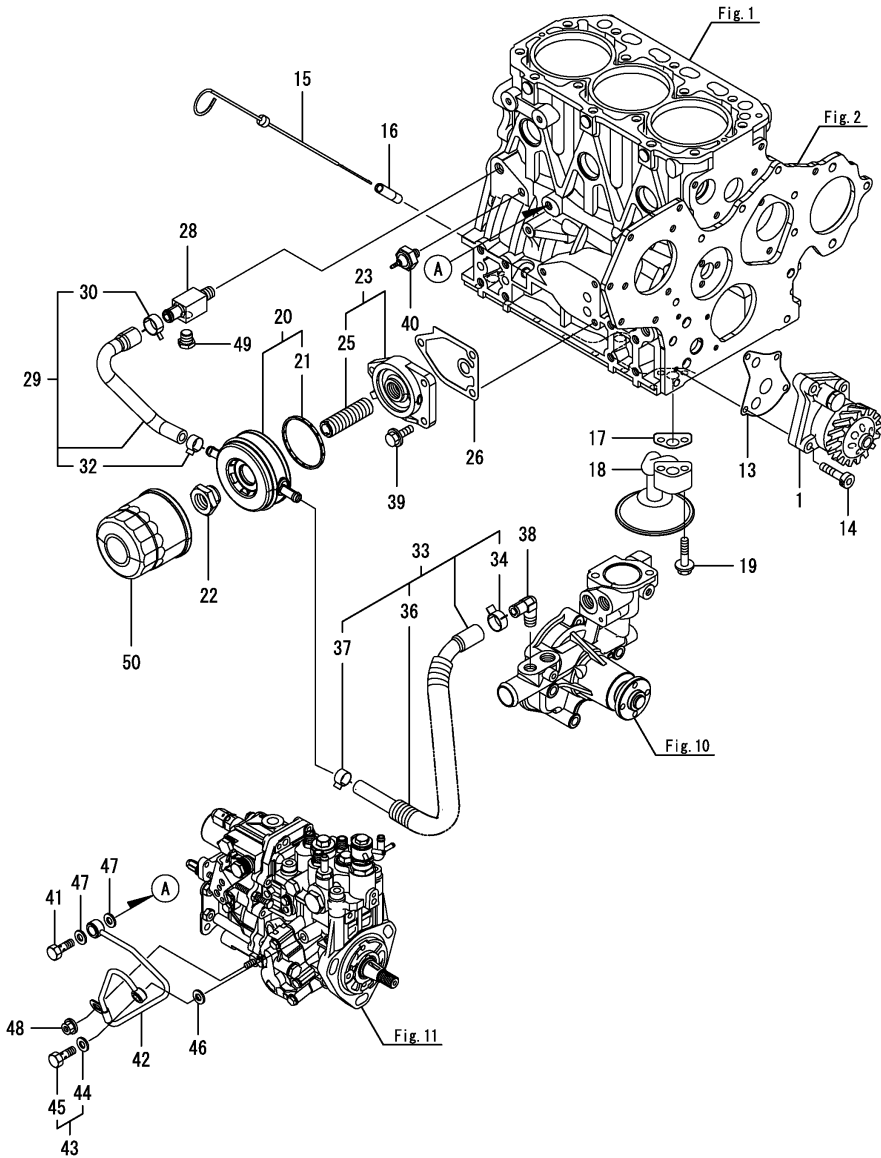
(D)=
(E)=
(F)=

No.	Lev.	Parts No.	Description	Q'ty						I	R
				(A)	(B)	(C)	(D)	(E)	(F)		
1	1	129008-21000	CRANKSHAFT ASSY	1							
2	2	129100-01580	PIN, PARALLEL 8X16	1							
4	2	119803-21200	GEAR, CRANKSHAFT	1							
5	2	22512-070140	KEY, 7X 14	1							
7	1	22351-030010	PIN, SPRING 3.0X10	1							
8	1	129004-21650	V-PULLEY, CRANK 110	1							
9	1	129795-21661	WASHER	1							
10	1	121850-21680	BOLT	1							
11	1	121111-21501	BOLT, FLYWHEEL	6							
12	1	129188-21590	FLYWHEEL ASSY	1							
14	2	119865-21600	GEAR, RING Z=116	1							
15	1	119888-21450	RETAINER, BEARING	1							
17	2	24104-062054	BEARING, BALL 6205UU	1							
18	1	26106-080222	BOLT, M8X 22 PLATED	3							
19	1	129005-22080	PISTON ASSY	3							
21	2	129005-22500	RING SET, PISTON	3							
27	1	129202-22300	PIN, PISTON D26 L70	3							
28	1	22252-000260	RING, 26	6							
29	1	729402-23100	ROD ASSY, CONNECTING	3							
33	2	121550-23200	BOLT, CONNECTING ROD	6							
34	2	129150-23601	BEARING, CRANK PIN	3							
36	1	129100-23910	BEARING, PISTON PIN	3							1
37	1	129150-23611	BEARING, 0.25 US	3							2
39	1	129005-22900	PISTON ASSY, 0.25 OS	3							3
41	2	129005-22950	RING SET, 0.25 OS	3							3

Remarks

- (1) Spare parts.
- (2) Under-sized (U.S.=0.25) parts.
- (3) Over-sized (O.S.=0.25) parts.

Fig.9. LUB. OIL SYSTEM



(A)=3TNV88-BDPP
(B)=
(C)=

(D)=
(E)=
(F)=

No.	Lev.	Parts No.	Description	Q'ty						I	R
				(A)	(B)	(C)	(D)	(E)	(F)		
1	1	129001-32002	PUMP ASSY, OIL	1							
13	1	129150-32020	GASKET, PUMP	1							
14	1	26450-060252	BOLT, M6X 25	4							
15	1	129004-34802	DIPSTICK	1							
16	1	121520-34810	GUIDE, DIPSTICK	1							
17	1	129150-35042	GASKET	1							
18	1	129100-35301	PIPE ASSY, OIL INLET	1							
19	1	26106-080352	BOLT, M8X 35 PLATED	2							
20	1	129508-33031	COOLER ASSY, OIL	1							
21	2	129508-33060	PACKING, OIL COOLER	1							
22	1	129417-33111	NUT, OIL COOLER	1							
23	1	129006-35100	BRACKET ASSY, FILTER	1							
25	2	129417-35150	BOLT, STUD M20X67	1							
26	1	129150-35111	GASKET	1							
28	1	129006-44480	JOINT	1							
29	1	129508-49030	HOSE ASSY, WATER	1							
30	2	171008-03990	CLAMP, HOSE 18.5	1							
32	2	23080-015000	CLAMP, 15	1							
33	1	129006-49040	HOSE ASSY, WATER	1							
34	2	171008-03990	CLAMP, HOSE 18.5	1							
36	2	129642-49180	TUBE, CORRUGATED 19	1							
37	2	23080-015000	CLAMP, 15	1							
38	1	129103-49301	ELBOW, PT1/4	1							
39	1	26106-080202	BOLT, M8X 20 PLATED	3							
40	1	114250-39450	SWITCH, HYDRAULIC	1							
41	1	124160-39140	BOLT, PIPE JOINT M10	1							
42	1	119802-39450	PIPE ASSY, OIL	1							
43	1	129005-59830	BOLT ASSY, JOINT M8	1							
44	2	22190-080002	WASHER, SEAL 8	1							
45	2	23857-030000	BOLT, JOINT 3	1							
46	1	22190-080002	WASHER, SEAL 8	1							
47	1	22190-100002	WASHER, SEAL 10	2							
48	1	26366-060002	NUT, M6	1							
49	1	171056-49120	PLUG, DRAIN R1/4	1							
50	1	129150-35153	FILTER ASSY, D80X80L	1							1

Remarks

(1) Spare parts.

Fig.10. COOLING WATER SYSTEM

(A)=3TNV88-BDPP

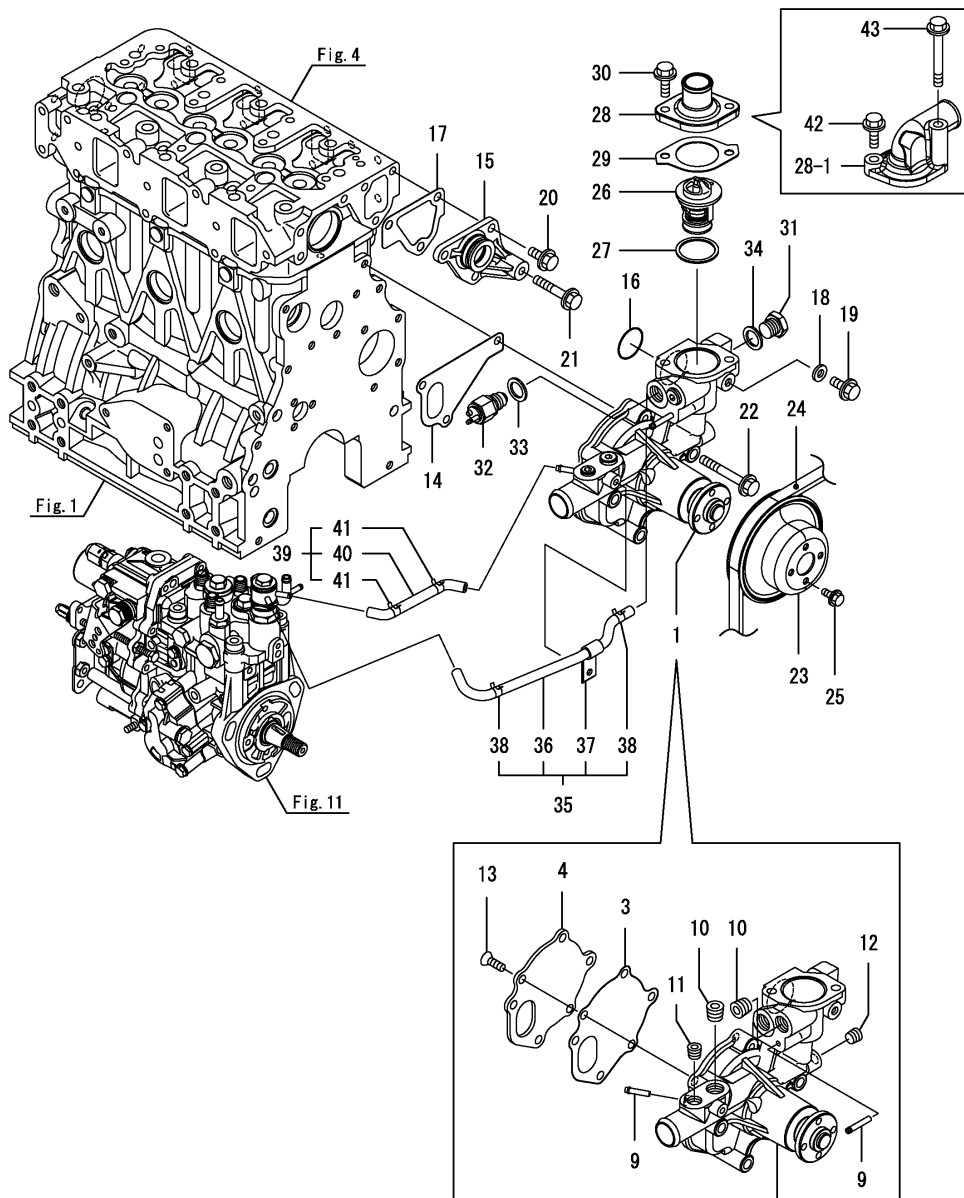
(B)=

(C)=

(D)=

(E)=

(F)=

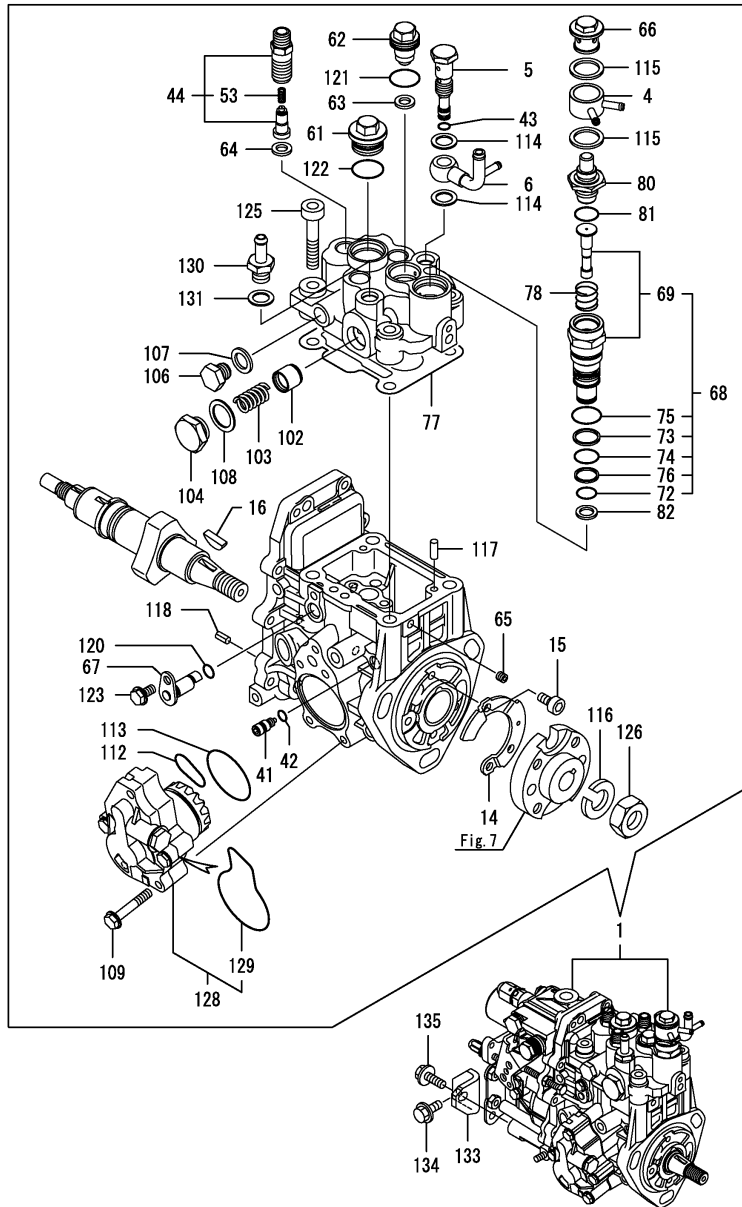


No.	Lev.	Parts No.	Description	Q'ty						I	R
				(A)	(B)	(C)	(D)	(E)	(F)		
1	1	129004-42001	PUMP ASSY, WATER	1							
3	2	129100-42051	GASKET, WATER PUMP	1							
4	2	129100-42121	PLATE, PUMP	1							
9	2	119802-49113	JOINT, PIPE	2							
10	2	129916-49740	PLUG, R3/8	2							
11	2	23875-020000	PLUG, R02	1							
12	2	23876-010000	PLUG, R01	1							
13	2	26577-060142	SCREW M 6X 14	3							
14	1	129486-42021	GASKET, WATER PUMP	1							
15	1	129004-42040	JOINT, WATER PIPE	1							
16	1	129486-42140	O-RING, G30	1							
17	1	124395-49840	GASKET, THERMOSTAT	1							
18	1	23414-080000	GASKET, 8X1.0	1							
19	1	26106-080122	BOLT, M8X 12 PLATED	1							
20	1	26106-080162	BOLT, M8X 16 PLATED	3							
21	1	26106-080452	BOLT, M8X 45 PLATED	1							
22	1	26106-080602	BOLT, M8X 60 PLATED	3							
23	1	129403-42380	V-PULLEY, PUMP	1							
24	1	25152-003600	V-BELT, A36	1							
25	1	26106-060122	BOLT, M6X 12 PLATED	4							
26	1	129155-49801	THERMOSTAT, 71C	1							
27	1	129150-49811	GASKET, THERMOSTAT	1							
28	1	129350-49530	COVER, THERMOSTAT	1							
28-1	1	124101-49531	COVER, THERMOSTAT	1							S
(A=EU5753)											
29	1	129795-49551	GASKET, COVER	1							
30	1	26106-080222	BOLT, M8X 22 PLATED	2							Z
(A=EU5753)											
31	1	121450-42450	PLUG, M16	1							
32	1	121250-44901	SWITCH, TEMPERATURE	1							
33	1	124465-44950	GASKET, 16	1							
34	1	124465-44950	GASKET, 16	1							
35	1	129004-49610	HOSE ASSY, WATER A	1							
36	2	129004-49711	HOSE, WATER A	1							
37	2	119802-49730	RETAINER, PIPE	1							
38	2	124722-59050	CLAMP, HOSE 9	2							
39	1	129004-49620	HOSE ASSY, WATER B	1							
40	2	129004-49721	HOSE, WATER B	1							
41	2	124722-59050	CLAMP, HOSE 9	2							
42	1	26106-080282	BOLT, M8X 28 PLATED	1							W
(A=EU5753)											
43	1	26106-080652	BOLT, M8X 65 PLATED	1							W
(A=EU5753)											

Fig.11. FUEL INJECTION PUMP

(A)=3TNV88-BDPP
(B)=
(C)=

(D)=
(E)=
(F)=



No.	Lev.	Parts No.	Description	Q'ty						I	R
				(A)	(B)	(C)	(D)	(E)	(F)		
1	1	729285-51400	PUMP ASSY, INJECTION	1							1
4	2	158553-51551	JOINT, COOLING WATER	1							
5	2	158601-51650	JOINT, OVER FLOW	1							
6	2	158552-51670	JOINT, OVER FLOW	1							
14	2	129008-51900	COVER, PUMP	1							
15	2	129008-51920	BOLT, SOCKET M6X10	2							
16	2	119802-51090	FEATHER KEY, 4X16	1							
41	2	158600-51270	STOPPER, TAPPET	1							
42	2	158563-51281	O-RING, 4D S6	1							
43	2	158563-51281	O-RING, 4D S6	1							
44	2	129008-51390	VALVE ASSY, DELIVERY	3							
53	3	158563-51330	SPRING, DELIVERY	3							
61	2	158601-51550	PLUG, M22	1							
62	2	119802-51560	PLUG, M14	1							
63	2	158552-51571	GASKET, PLUG	1							
64	2	158552-51571	GASKET, PLUG	3							
65	2	158557-51570	PLUG, RACK	1							
66	2	158601-51570	PLUG	1							
67	2	158552-51580	LIFTER, LINK	1							
68	2	119802-51590	TIMER ASSY	1							
69	3	119802-51600	TIMER ASSY	1							
72	3	158553-51670	O-RING	1							
73	3	119802-51680	RING, BACKUP	1							
74	3	119802-51690	O-RING	1							
75	3	24356-190200	O-RING, 4D19020	1							
76	3	24372-000150	RING, BACK UP T2P15	1							
77	2	158552-51600	GASKET	1							
78	2	158553-51630	SPRING, TIMER	1							
80	2	158553-51650	THERMOELEMENT	1							
81	2	158553-51660	O-RING, P14	1							
82	2	158553-51680	GASKET, TIMER	1							
102	2	158601-51770	PISTON, ACCUMULATOR	1							
103	2	158552-51781	SPRING, ACCUMULATOR	1							
104	2	158601-51790	PLUG	1							
106	2	158553-51930	PLUG, M12	1							
107	2	22190-120002	WASHER, SEAL 12	1							
108	2	22190-180002	WASHER, SEAL 18	1							
109	2	158553-51770	BOLT	4							
112	2	158552-52311	O-RING	1							
113	2	158552-52400	O-RING, 4E S42	1							
114	2	22190-120002	WASHER, SEAL 12	2							
115	2	22190-180002	WASHER, SEAL 18	2							
116	2	22217-140000	WASHER, SPRING 14	1							
117	2	22312-050140	PIN, PARALLEL 5X14	2							
118	2	22351-050010	PIN, SPRING 5.0X10	2							
120	2	24311-000070	O-RING, 1AP7.0	1							
121	2	24356-190180	O-RING, 4D19018	1							
122	2	24356-190200	O-RING, 4D19020	1							
123	2	26106-060102	BOLT, M6X 10 PLATED	1							
125	2	26450-080452	BOLT, M8X 45	4							
126	2	26776-140002	NUT, LOCK M14	1							

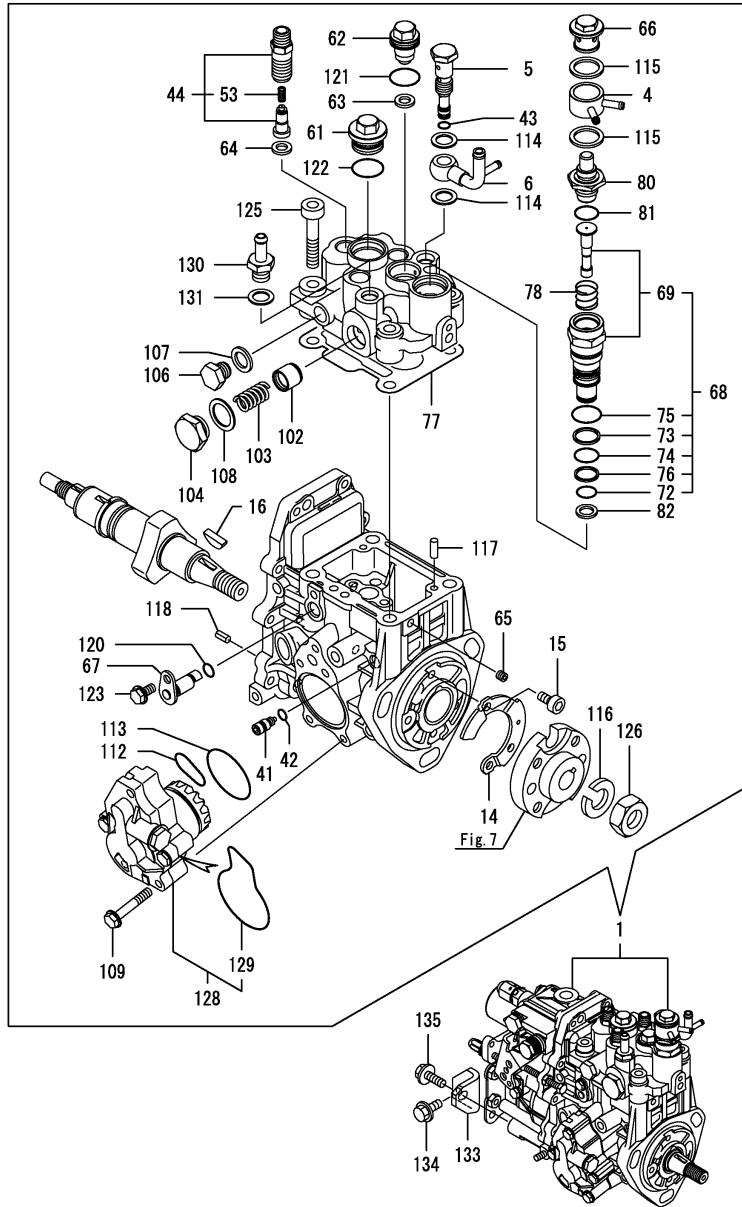
Remarks

(1)Governor(Fig.12) is incorporated in this Fuel Injection Pump(No.1).

Fig.11. FUEL INJECTION PUMP

(A)=3TNV88-BDPP
(B)=
(C)=

(D)=
(E)=
(F)=



No.	Lev.	Parts No.	Description	Q'ty						I	R
				(A)	(B)	(C)	(D)	(E)	(F)		
128	2	158552-52100	PUMP ASSY, FUEL FEED	1							
129	3	158552-52500	O-RING	1							
130	2	119934-59910	JOINT, PIPE	1							
131	2	22190-120002	WASHER, SEAL 12	1							
133	1	119802-51250	RETAINER, PUMP	1							
134	1	26106-080162	BOLT, M8X 16 PLATED	1							
135	1	26106-080202	BOLT, M8X 20 PLATED	1							

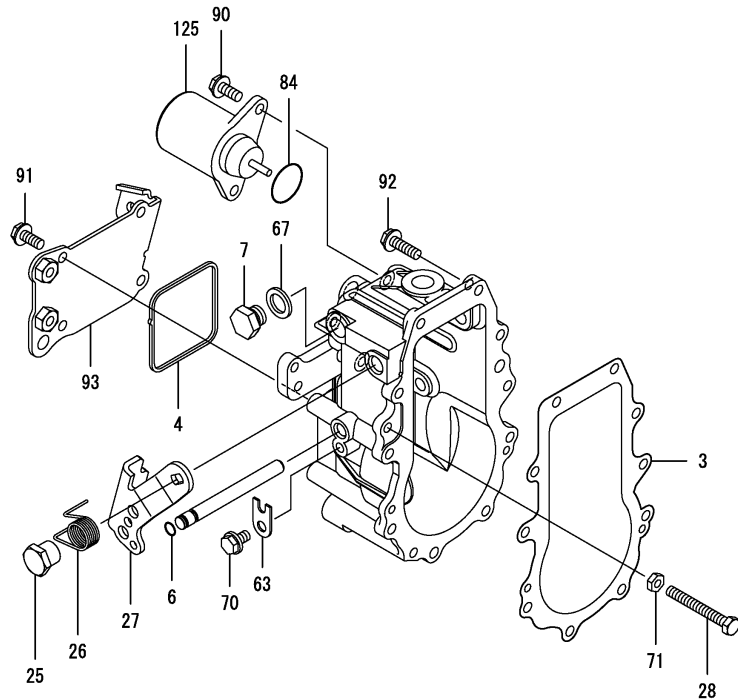
Remarks

(1)Governor(Fig.12) is incorporated in this Fuel Injection Pump(No.1).

Fig.12. GOVERNOR

(A)=3TNV88-BDPP
(B)=
(C)=

(D)=
(E)=
(F)=



No.	Lev.	Parts No.	Description	Q'ty						I	R
				(A)	(B)	(C)	(D)	(E)	(F)		
3	2	158553-61050	GASKET	1							
4	2	158553-61070	GASKET	1							
6	2	129155-51280	O-RING, S6	1							
7	2	158553-51930	PLUG, M12	1							
25	2	129255-61410	NUT, M8	1							
26	2	119807-61420	SPRING, RETURN	1							
27	2	158552-61441	LEVER, REGULATOR	1							
28	2	129155-61460	BOLT, LIMITING	1							
63	2	119660-61901	STOPPER, SHAFT	1							
67	2	22190-120002	WASHER, SEAL 12	1							
70	2	26106-060102	BOLT, M6X 10 PLATED	1							
71	2	26756-060002	NUT, LOCK M6	1							
84	2	158552-61900	O-RING	1							
90	2	26106-060142	BOLT, M6X 14 PLATED	2							
91	2	26106-060142	BOLT, M6X 14 PLATED	4							
92	2	26106-060202	BOLT, M6X 20 PLATED	10							
93	2	158552-61061	COVER, GOVERNOR CASE	1							
125	2	119653-77950	SOLENOID, STOP	1							

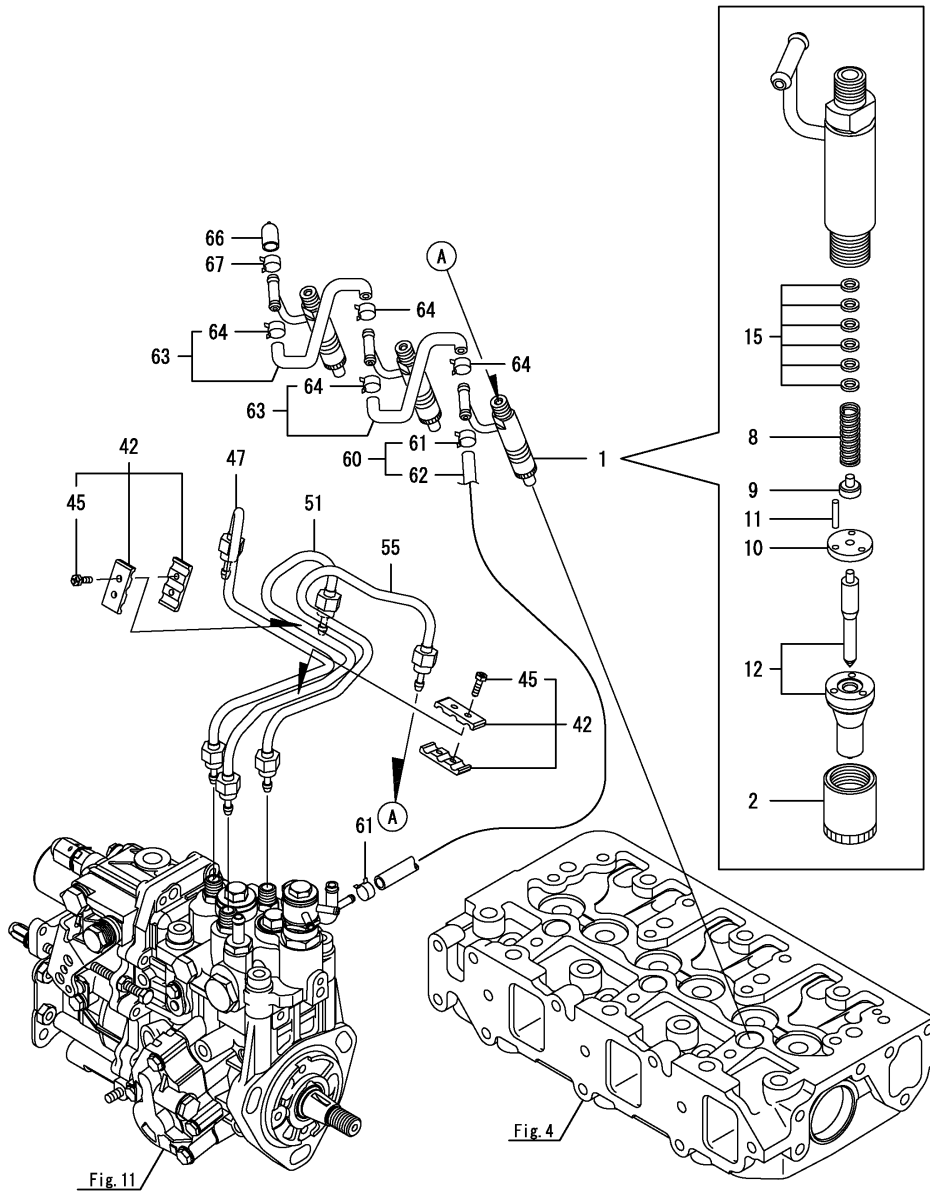
Remarks

* This figure(Governor) is incorporated in the Fuel Injection Pump(Fig.11).

Fig.13. FUEL INJECTION VALVE

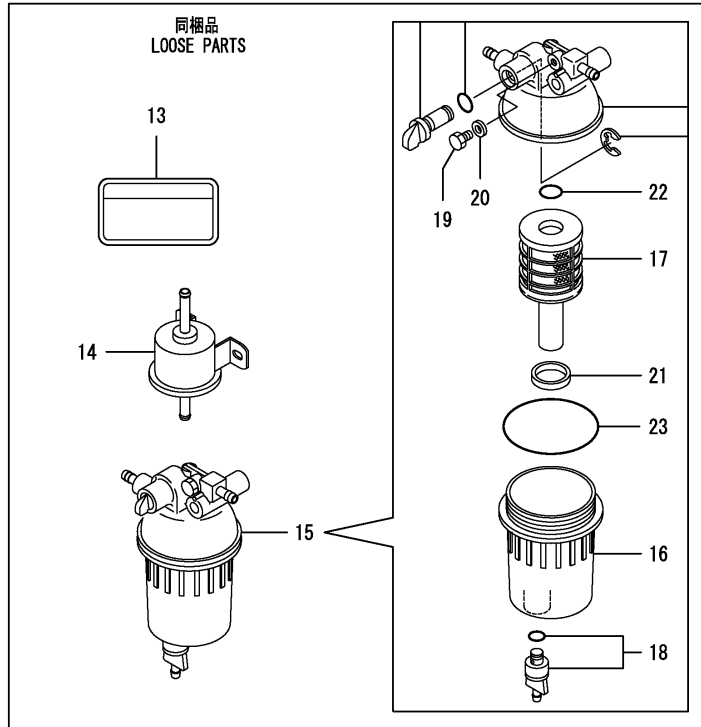
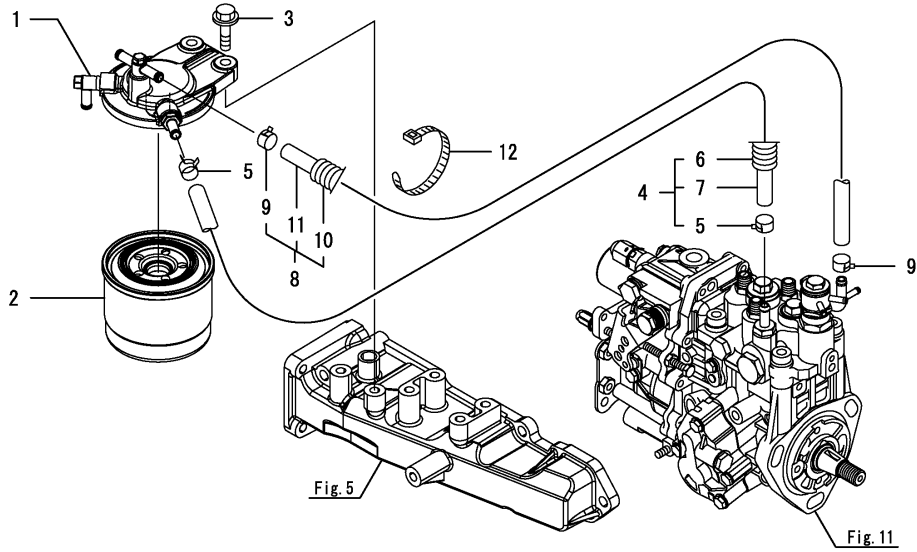
(A)=3TNV88-BDPP
(B)=
(C)=

(D)=
(E)=
(F)=



No.	Lev.	Parts No.	Description	Q'ty						I	R
				(A)	(B)	(C)	(D)	(E)	(F)		
1	1	729604-53400	VALVE ASSY,INJECTION	3							
2	2	114250-53080	NUT, NOZZLE	3							
8	2	114250-53120	SPRING, NOZZLE	3							
9	2	114250-53130	SEAT, SPRING	3							
10	2	114250-53140	SPACER	3							
11	2	114250-53210	PIN	6							
12	2	129604-53300	NOZZLE ASSY	3							
15	2	119803-53400	SHIM SET	3							
42	1	129150-59120	RETAINER, PIPE	2							
45	2	129150-59131	BOLT, M4X14	4							
47	1	129004-59811	PIPE ASSY, INJECTION	1							
51	1	129004-59821	PIPE ASSY, INJECTION	1							
55	1	129004-59831	PIPE ASSY, INJECTION	1							
60	1	119802-59550	HOSE ASSY, RETURN	1							
61	2	124722-59050	CLAMP, HOSE 9	2							
62	2	119802-59560	HOSE, FUEL RETURN	1							
63	1	129486-59551	HOSE ASSY, RETURN	2							
64	2	124722-59050	CLAMP, HOSE 9	4							
66	1	119593-59581	CAP	1							
67	1	124060-77680	CLAMP, HOSE 10	1							

Fig.14. FUEL PIPE



(A)=3TNV88-BDPP
(B)=
(C)=

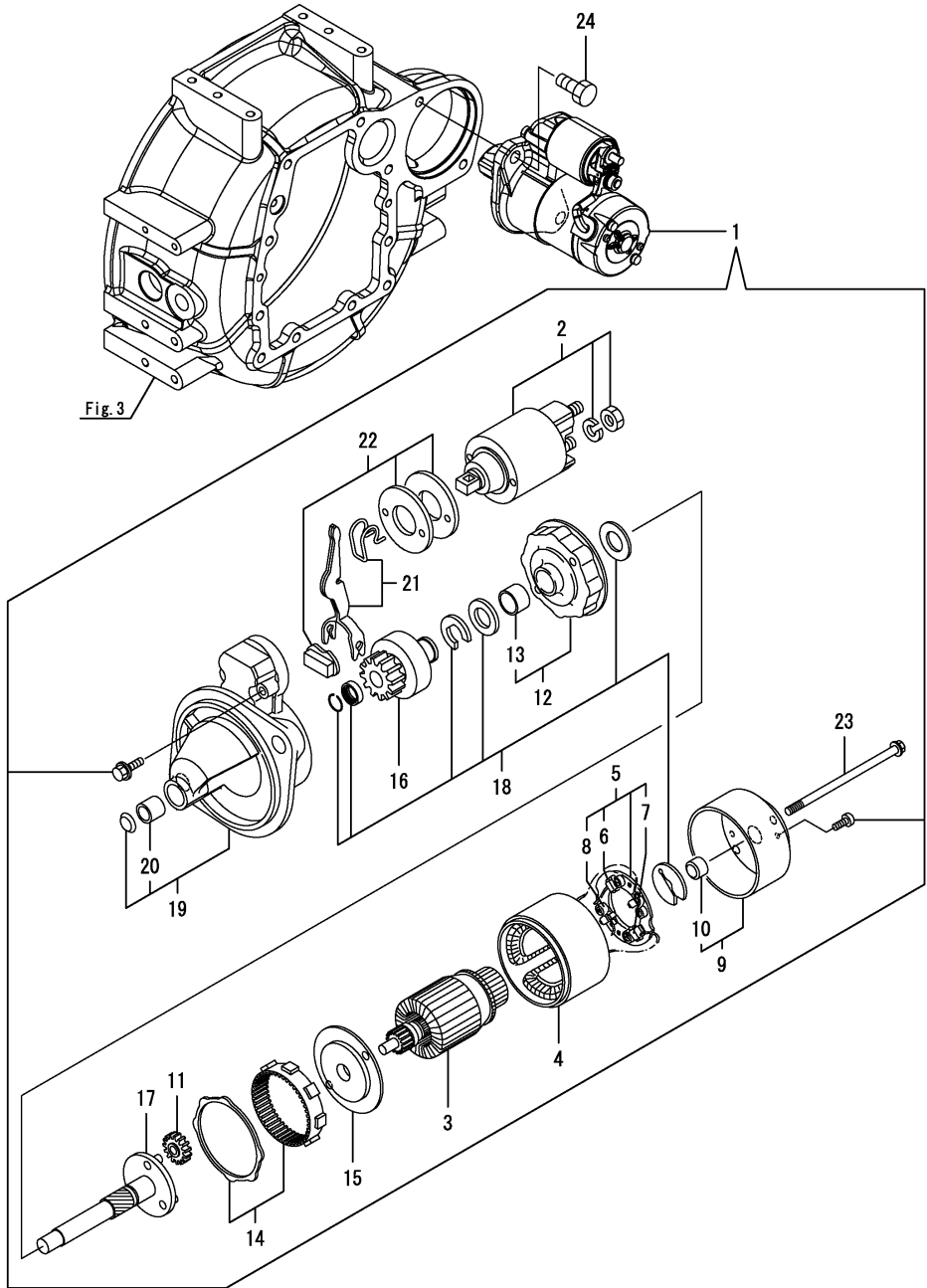
(D)=
(E)=
(F)=

No.	Lev.	Parts No.	Description	Q'ty						I	R
				(A)	(B)	(C)	(D)	(E)	(F)		
1	1	129004-55612	BRACKET, FILTER	1							
2	1	119802-55801	FILTER, FUEL	1							
3	1	26106-080302	BOLT, M8X 30 PLATED	2							
4	1	129044-59010	HOSE ASSY, D13XL220	1							
5	2	124766-59050	CLAMP, HOSE 11.5	2							
6	2	129044-59100	TUBE, CORRUGATED 15	1							
7	2	129044-59510	HOSE, FUEL L=220	1							
8	1	129950-59311	HOSE ASSY, FUEL	1							
9	2	124766-59050	CLAMP, HOSE 11.5	2							
10	2	129961-59110	TUBE, CORRUGATED 15	1							
11	2	105025-59580	HOSE, FUEL	1							
12	1	121750-59890	BAND, NYLON	1							
13	1	114110-07761	LABEL, FUEL OIL CAUT	1							
14	1	119225-52102	PUMP, FUEL FEED	1							
15	1	129242-55701	SEPARATOR ASSY,WATER	1							
16	2	129242-55720	CUP, SEPARATOR	1							
17	2	129242-55730	ELEMENT, FUEL	1							
18	2	129242-55740	PLUG, DRAIN	1							
19	2	129242-55750	VALVE, AIR VENT	1							
20	2	129242-55760	GASKET, PLUG	1							
21	2	129242-55770	FLOAT	1							
22	2	24311-000160	O-RING, 1AP16.0	1							
23	2	24321-000750	O-RING, 1AG75.0	1							

Fig.15. STARTER MOTOR

(A)=3TNV88-BDPP
(B)=
(C)=

(D)=
(E)=
(F)=



No.	Lev.	Parts No.	Description	Q'ty						I	R
				(A)	(B)	(C)	(D)	(E)	(F)		
1	1	129242-77010	STARTER ASSY	1							
2	2	129698-77020	SWITCH ASSY, MAGNET	1							
3	2	129242-77100	ARMATURE ASSY	1							
4	2	129242-77110	YOKE ASSY	1							
5	2	129242-77120	HOLDER ASSY, BRUSH	1							
6	3	129242-77130	BRUSH	2							
7	3	129242-77140	BRUSH SET	1							
8	3	129242-77150	SPRING, BRUSH	4							
9	2	129242-77160	COVER ASSY	1							
10	3	129242-77170	BEARING, COVER	1							
11	2	118400-77170	GEAR, PLANETARY	3							
12	2	129242-77180	BRACKET, CENTER	1							
13	3	129698-77190	BRACKET, CENTER	1							
14	2	129698-77200	GEAR, INTERNAL	1							
15	2	129242-77210	BRACKET, CENTER	1							
16	2	129698-77220	PINION ASSY	1							
17	2	129698-77230	SHAFT, PINION	1							
18	2	129698-77250	WASHER SET	1							
19	2	129242-77260	CASE ASSY, GEAR	1							
20	3	X2114535200	BEARING, STARTER	1							
21	2	129242-77270	LEVER SET	1							
22	2	129242-77280	COVER KIT, DUST	1							
23	2	124195-77770	BOLT, THROUGH	2							
24	1	26116-120202	BOLT, M12X 20 PLATED	2							

Fig.16. GENERATOR

(A)=3TNV88-BDPP

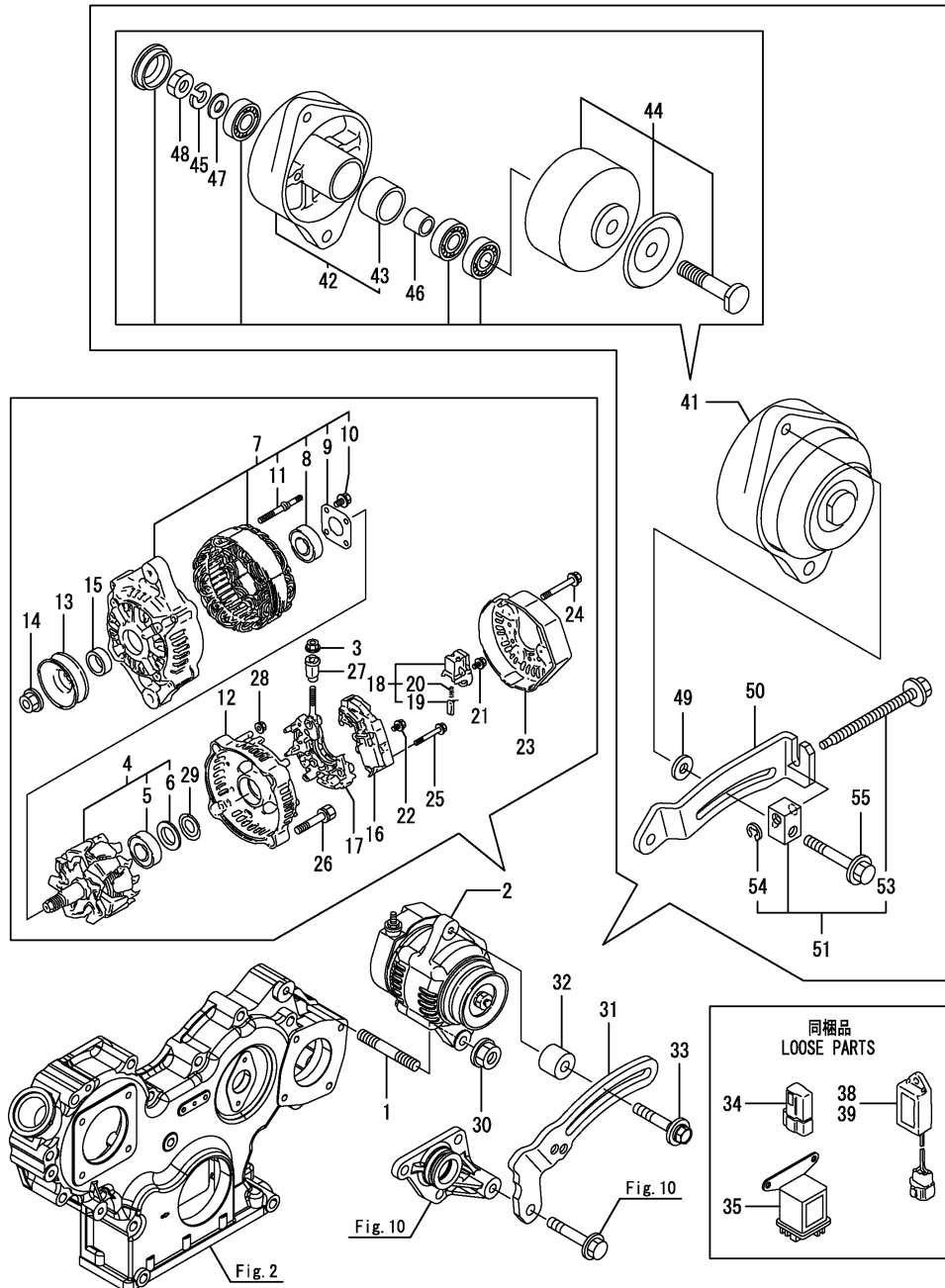
(B)=

(C)=

(D)=

(E)=

(F)=



No.	Lev.	Parts No.	Description	Q'ty						I	R
				(A)	(B)	(C)	(D)	(E)	(F)		
1	1	129795-01900	BOLT, M10X30	1							
2	1	129423-77200	GENERATOR, 12V-40A	1							Z
		(A=EU5753)									
3	2	X9490561001	NUT	1							Z
		(A=EU5753)									
4	2	119620-77380	ROTOR ASSY	1							Z
		(A=EU5753)									
5	3	123501-79240	BEARING, BALL	1							Z
		(A=EU5753)									
6	3	119620-79250	COVER, BEARING	1							Z
		(A=EU5753)									
7	2	119620-77421	FRAME ASSY, DRIVE	1							Z
		(A=EU5753)									
8	3	119620-79200	BEARING, BALL	1							Z
		(A=EU5753)									
9	3	119620-79210	PLATE, RETAINER	1							Z
		(A=EU5753)									
10	3	119620-79220	SCREW	4							Z
		(A=EU5753)									
11	3	119620-79230	STUD	2							Z
		(A=EU5753)									
12	2	119620-77440	FRAME ASSY, REAR	1							Z
		(A=EU5753)									
13	2	119620-77461	PULLEY, GENERATOR	1							Z
		(A=EU5753)									
14	2	119620-77471	NUT	1							Z
		(A=EU5753)									
15	2	119620-77490	COLLAR	1							Z
		(A=EU5753)									
16	2	129423-77710	REGULATOR ASSY	1							Z
		(A=EU5753)									
17	2	119620-79260	HOLDER ASSY	1							Z
		(A=EU5753)									
18	2	129052-79270	HOLDER ASSY, BRUSH	1							Z
		(A=EU5753)									
19	3	119620-77480	BRUSH ASSY, SUB	2							Z
		(A=EU5753)									
20	3	119620-79280	SPRING	2							Z
		(A=EU5753)									
21	2	119620-79290	SCREW	6							Z
		(A=EU5753)									
22	2	119620-79300	SCREW	1							Z
		(A=EU5753)									
23	2	129240-79300	COVER	1							Z
		(A=EU5753)									
24	2	119620-79310	BOLT	3							Z
		(A=EU5753)									
25	2	119620-79320	SCREW, W/WASHER	2							Z
		(A=EU5753)									
26	2	119620-79330	BOLT	2							Z
		(A=EU5753)									

Fig.16. GENERATOR

(A)=3TNV88-BDPP

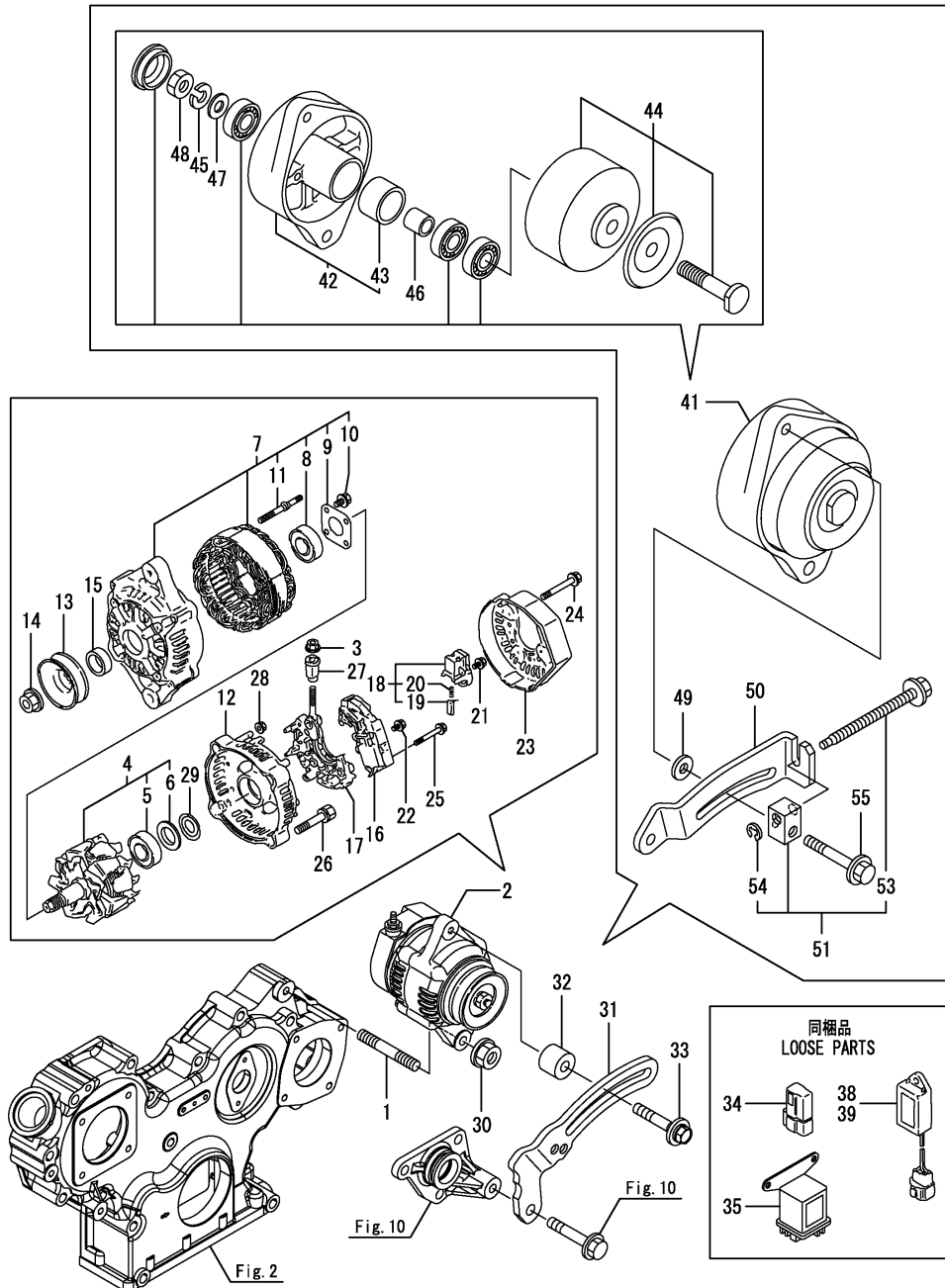
(B)=

(C)=

(D)=

(E)=

(F)=



No.	Lev.	Parts No.	Description	Q'ty						I	R
				(A)	(B)	(C)	(D)	(E)	(F)		
27	2	119620-79340 (A=EU5753)	BUSH, INSULATION	1							Z
28	2	119620-79350 (A=EU5753)	NUT	2							Z
29	2	119620-79360 (A=EU5753)	WASHER, THRUST	1							Z
30	1	26306-100002	NUT, M10	1							
31	1	129064-77330	ADJUSTER, BELT	1							
32	1	129067-77340	SPACER, ADJUSTER	1							
33	1	129972-77341	BOLT, ADJUSTER L=50	1							
34	1	119643-66900	DIODE	1							
35	1	119650-77911	RELAY ASSY, GLOW	1							
38	1	128300-77920	TIMER, GLOW PLUG	1							
39	1	129211-77920	TIMER, SECTION 1	1							
41	1	129100-44300 (A=EU5753)	PULLEY, TENSION	1							W
42	2	129100-44310 (A=EU5753)	PLATE ASSY	1							W
43	3	129100-44320 (A=EU5753)	PLATE, COIL	1							W
44	2	129100-44330 (A=EU5753)	FLYWHEEL ASSY	1							W
45	2	129188-77200 (A=EU5753)	WASHER, SPRING	1							W
46	2	129118-77230 (A=EU5753)	COLLAR	1							W
47	2	129118-77240 (A=EU5753)	WASHER, 10	1							W
48	2	129118-77250 (A=EU5753)	NUT, HEXAGON	1							W
49	1	106100-55800 (A=EU5753)	WASHER, TANK REAR	1							W
50	1	119823-77310 (A=EU5753)	ADJUSTER, BELT	1							W
51	1	129630-77350 (A=EU5753)	BLOCK ASSY, ADJUSTER	1							W
53	2	129630-77380 (A=EU5753)	BOLT, M8X100	1							W
54	2	22272-000050 (A=EU5753)	RING, E- 5	1							W
55	1	26106-080452 (A=EU5753)	BOLT, M8X 45 PLATED	1							W

Parts No. Index

Parts No.	Fig. No.	Ref. No.
105025-59580	14	11
106100-55800	16	49
114110-07761	14	13
114250-39450	9	40
114250-53080	13	2
114250-53120	13	8
114250-53130	13	9
114250-53140	13	10
114250-53210	13	11
118400-77170	15	11
119131-18320	6	5
119225-52102	14	14
119593-59581	13	66
119609-32040	2	9
119620-01750	3	5
119620-77380	16	4
119620-77421	16	7
119620-77440	16	12
119620-77461	16	13
119620-77471	16	14
119620-77480	16	19
119620-77490	16	15
119620-79200	16	8
119620-79210	16	9
119620-79220	16	10
119620-79230	16	11
119620-79250	16	6
119620-79260	16	17
119620-79280	16	20
119620-79290	16	21
119620-79300	16	22
119620-79310	16	24
119620-79320	16	25
119620-79330	16	26
119620-79340	16	27
119620-79350	16	28
119620-79360	16	29
119625-11880	4	29
119640-01640	3	10
119643-66900	16	34
119650-77911	16	35
119653-77950	12	125
119660-61901	12	63
119802-01561	2	5
119802-03070	4	38 A
119802-03110	4	40
119802-03121	4	41
119802-03130	4	42
119802-03141	4	43
119802-11260	4	4

Parts No.	Fig. No.	Ref. No.
119802-11270	4	5
119802-11870	4	28
119802-25071	7	20
119802-25101	7	10
119802-25901	7	15
119802-39450	9	42
119802-49113	10	9
119802-49730	10	37
119802-51090	11	16
119802-51250	11	133
119802-51560	11	62
119802-51590	11	68
119802-51600	11	69
119802-51680	11	73
119802-51690	11	74
119802-55801	14	2
119802-59550	13	60
119802-59560	13	62
119803-21200	8	4
119803-25050	7	9
119803-53400	13	15
119807-61420	12	26
119823-77310	16	50
119865-21600	8	14
119888-01601	3	2
119888-01850	3	4
119888-21450	8	15
119934-01800	2	3
119934-59910	11	130
120130-11860	4	55
120270-54410	4	31
121023-01551	2	22
121111-21501	8	11
121250-44901	10	32
121400-11340	4	24
121450-42450	10	31
121520-34810	9	16
121550-23200	8	33
121750-59890	14	12
121850-21680	8	10
121850-51960	2	10
123501-79240	16	5
123900-13610	6	3
124060-01050	1	4
124060-77680	13	67
124101-49531	10	28 -1
124160-01751	2	6
	4	36
124160-01910	1	6
		7

Parts No.	Fig. No.	Ref. No.
124160-11360	4	48
124160-39140	9	41
124195-77770	15	23
124240-01871	2	7
		19
124395-49840	10	17
124460-11340	4	25
124465-44950	10	33
		34
124722-59050	10	38
		41
	13	61
		64
124766-59050	14	5
		9
128300-77920	16	38
129001-01250	1	5
129001-01340	1	28
129001-02931	1	29
129001-12110	5	4
129001-32002	9	1
129004-03010	4	38
129004-03080	5	1
129004-11241	4	1
129004-11251	4	2
129004-11310	4	45
129004-11350	4	37
129004-11650	4	8
129004-11900	4	30
129004-12101	5	3
129004-13200	6	7
129004-21650	8	8
129004-34802	9	15
129004-42001	10	1
129004-42040	10	15
129004-49610	10	35
129004-49620	10	39
129004-49711	10	36
129004-49721	10	40
129004-55612	14	1
129004-59811	13	47
129004-59821	13	51
129004-59831	13	55
129005-11100	4	20
129005-22080	8	19
129005-22500	8	21
129005-22900	8	39
129005-22950	8	41
129005-59830	9	43
129006-35100	9	23

Parts No.	Fig. No.	Ref. No.
129006-44480	9	28
129006-49040	9	33
129008-11710	4	13
129008-21000	8	1
129008-51390	11	44
129008-51900	11	14
129008-51920	11	15
129008-77800	4	53
129008-77820	4	54
129044-59010	14	4
129044-59100	14	6
129044-59510	14	7
129052-79270	16	18
129064-77330	16	31
129067-77340	16	32
129100-01580	3	1
		17
	8	2
129100-01640	3	18
129100-01730	3	8
129100-01760	3	9
129100-11112	4	21
129100-13110	6	1
129100-23910	8	36
129100-35301	9	18
129100-42051	10	3
129100-42121	10	4
129100-44300	16	41
129100-44310	16	42
129100-44320	16	43
129100-44330	16	44
129103-49301	9	38
129118-77230	16	46
129118-77240	16	47
129118-77250	16	48
129129-14580	7	3
129150-01200	1	27
129150-02020	1	9
129150-02450	7	4
129150-02871	1	32
129150-02931	1	24
129150-02941	1	35
129150-03070	4	39
129150-11230	4	9
129150-11280	4	7
129150-11370	4	12
129150-11750	4	11
129150-11810	4	56
129150-13110	6	2
129150-14101	7	6

Parts No. Index

Parts No.	Fig. No.	Ref. No.
129150-14200	7	1
129150-14400	7	2
129150-23601	8	34
129150-23611	8	37
129150-25301	7	14
129150-32020	9	13
129150-35042	9	17
129150-35111	9	26
129150-35153	9	50
129150-49811	10	27
129150-59120	13	42
129150-59131	13	45
129150-77511	5	8
129155-49801	10	26
129155-51280	12	6
129155-61460	12	28
129188-21590	8	12
129188-77200	16	45
129202-22300	8	27
129211-77920	16	39
129240-79300	16	23
129242-55701	14	15
129242-55720	14	16
129242-55730	14	17
129242-55740	14	18
129242-55750	14	19
129242-55760	14	20
129242-55770	14	21
129242-77010	15	1
129242-77100	15	3
129242-77110	15	4
129242-77120	15	5
129242-77130	15	6
129242-77140	15	7
129242-77150	15	8
129242-77160	15	9
129242-77170	15	10
129242-77180	15	12
129242-77210	15	15
129242-77260	15	19
129242-77270	15	21
129242-77280	15	22
129255-61410	12	25
129350-49530	10	28
129403-42380	10	23
129410-03990	5	2
129417-33111	9	22
129417-35150	9	25
129423-77200	16	2
129423-77710	16	16

Parts No.	Fig. No.	Ref. No.
129430-26071	7	16
129486-01670	3	21
129486-12581	5	7
129486-42021	10	14
129486-42140	10	16
129486-59551	13	63
129508-33031	9	20
129508-33060	9	21
129508-49030	9	29
129604-01520	2	4
129604-53300	13	12
129630-77350	16	51
129630-77380	16	53
129642-49180	9	36
129698-77020	15	2
129698-77190	15	13
129698-77200	15	14
129698-77220	15	16
129698-77230	15	17
129698-77250	15	18
129795-01780	3	20
129795-01900	16	1
129795-01950	2	8
129795-02412	1	12
129795-11120	4	22
129795-11180	4	23
129795-21661	8	9
129795-49551	10	29
129900-07900	4	51
129916-49740	10	10
129950-59311	14	8
129961-59110	14	10
129972-77341	16	33
129C26-01890	2	20
129E00-13640	6	4
158552-51151	7	21
158552-51571	11	63
		64
158552-51580	11	67
158552-51600	11	77
158552-51670	11	6
158552-51781	11	103
158552-52100	11	128
158552-52311	11	112
158552-52400	11	113
158552-52500	11	129
158552-61061	12	93
158552-61441	12	27
158552-61900	12	84
158553-51551	11	4

Parts No.	Fig. No.	Ref. No.
158553-51630	11	78
158553-51650	11	80
158553-51660	11	81
158553-51670	11	72
158553-51680	11	82
158553-51770	11	109
158553-51930	11	106
	12	7
158553-61050	12	3
158553-61070	12	4
158557-51570	11	65
158563-51281	11	42
		43
158563-51330	11	53
158600-51270	11	41
158601-51550	11	61
158601-51570	11	66
158601-51650	11	5
158601-51770	11	102
158601-51790	11	104
171008-03990	9	30
		34
171051-01921	1	8
171056-49120	9	49
22190-080002	2	11
	9	44
		46
22190-100002	9	47
22190-120002	11	107
		114
		131
	12	67
22190-180002	11	108
		115
22190-220002	3	12
22217-140000	11	116
22252-000260	8	28
22272-000050	16	54
22312-050140	11	117
22351-030010	8	7
22351-050010	11	118
22351-060012	4	32
22512-070140	7	7
	8	5
22857-500100	4	46
		47
23080-015000	9	32
		37
23414-080000	10	18
23857-030000	9	45

Parts No.	Fig. No.	Ref. No.
23875-020000	10	11
23876-010000	10	12
24104-062054	8	17
24311-000070	11	120
24311-000120	4	49
24311-000160	14	22
24311-000320	2	12
	4	50
24321-000750	14	23
24321-000800	7	17
24341-000240	2	23
24356-190180	11	121
24356-190200	11	75
		122
24372-000150	11	76
25152-003600	10	24
26106-060102	11	123
	12	70
26106-060122	10	25
26106-060142	12	90
		91
26106-060162	2	24
26106-060202	12	92
26106-080122	10	19
26106-080142	7	8
26106-080162	2	13
		14
		21
	3	13
	4	52
	10	20
	11	134
26106-080202	5	5
		9
	9	39
	11	135
26106-080222	8	18
	10	30
26106-080252	3	14
	4	33
	7	18
26106-080282	10	42
26106-080302	2	15
	14	3
26106-080352	3	22
	4	34
	9	19
26106-080402	7	13
26106-080452	3	15
	10	21

Parts No. Index

Parts No.	Fig. No.	Ref. No.
26106-080452	16	55
26106-080502	3	16
	4	35
26106-080552	2	16
26106-080602	10	22
26106-080652	10	43
26106-080802	5	6
26106-080852	2	17
26106-100302	7	19
26116-120202	15	24
26206-100252	3	6
26206-100302	3	7
26226-080182	4	6
26306-080002	2	18
	6	6
26306-100002	16	30
26366-060002	9	48
26450-060252	9	14
26450-080452	11	125
26577-060142	10	13
26756-060002	12	71
26776-140002	11	126
27241-120000	1	13
27241-300000	1	14
27241-400000	4	19
27310-080001	4	26
729005-01560	1	1
729285-51400	11	1
729402-23100	8	29
729604-53400	13	1
729652-01500	2	1
X2114535200	15	20
X9490561001	16	3

Parts No.	Fig. No.	Ref. No.
-----------	----------	----------

Parts No.	Fig. No.	Ref. No.
-----------	----------	----------

Parts No.	Fig. No.	Ref. No.
-----------	----------	----------